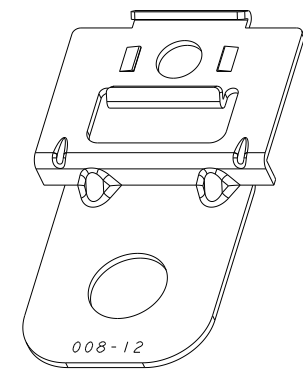
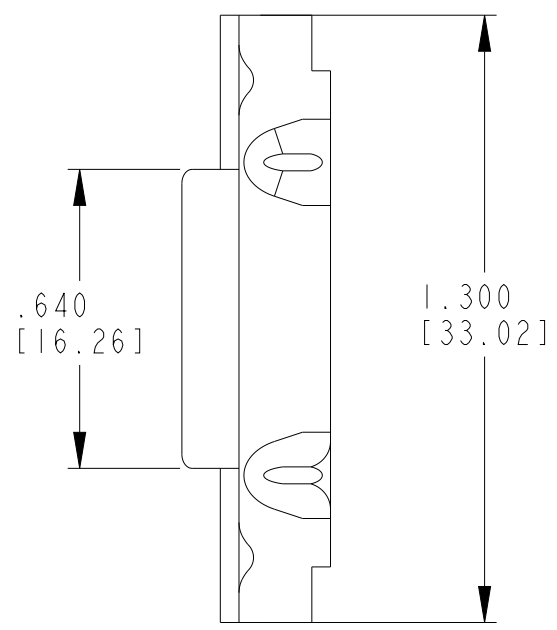
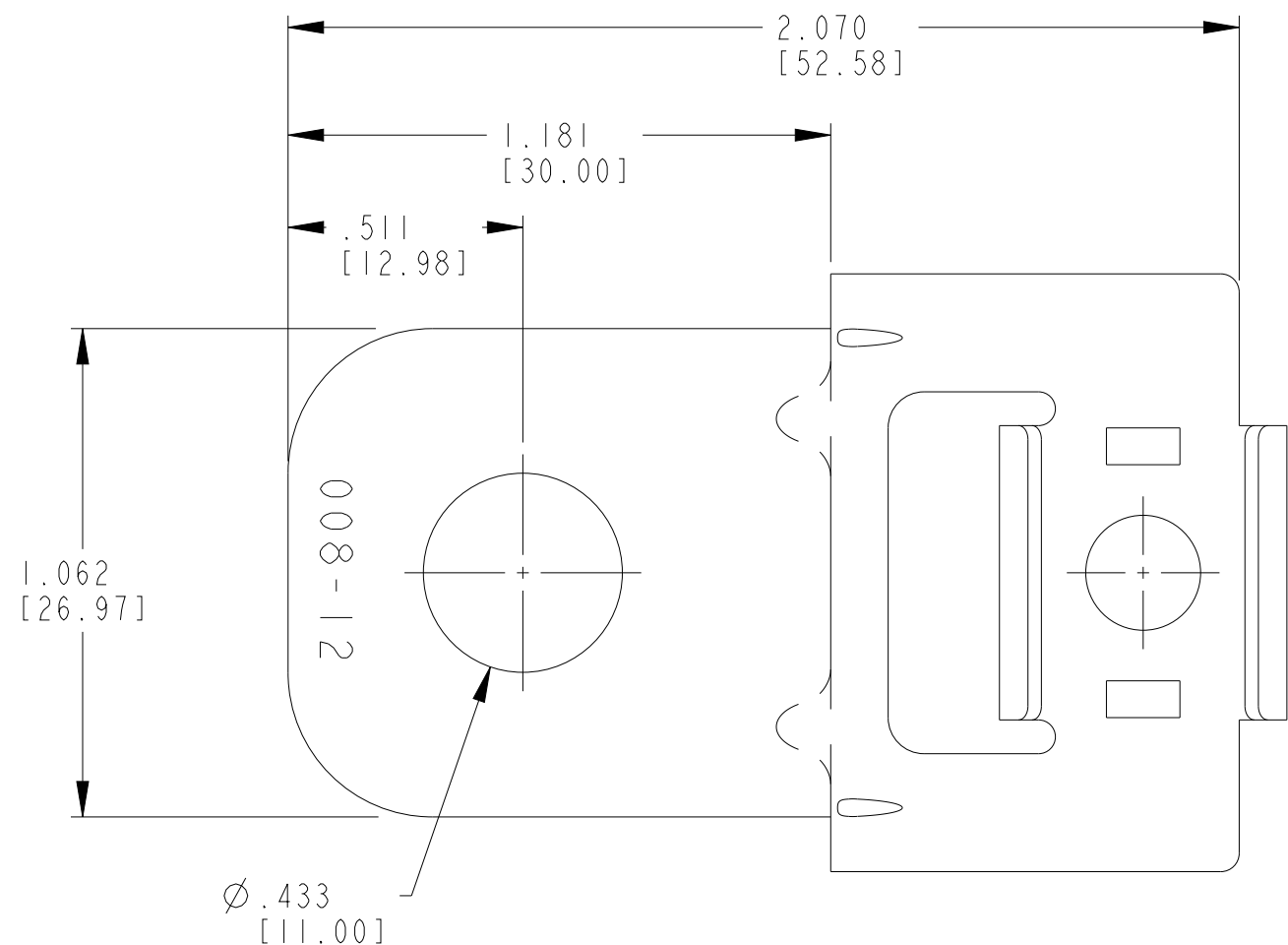
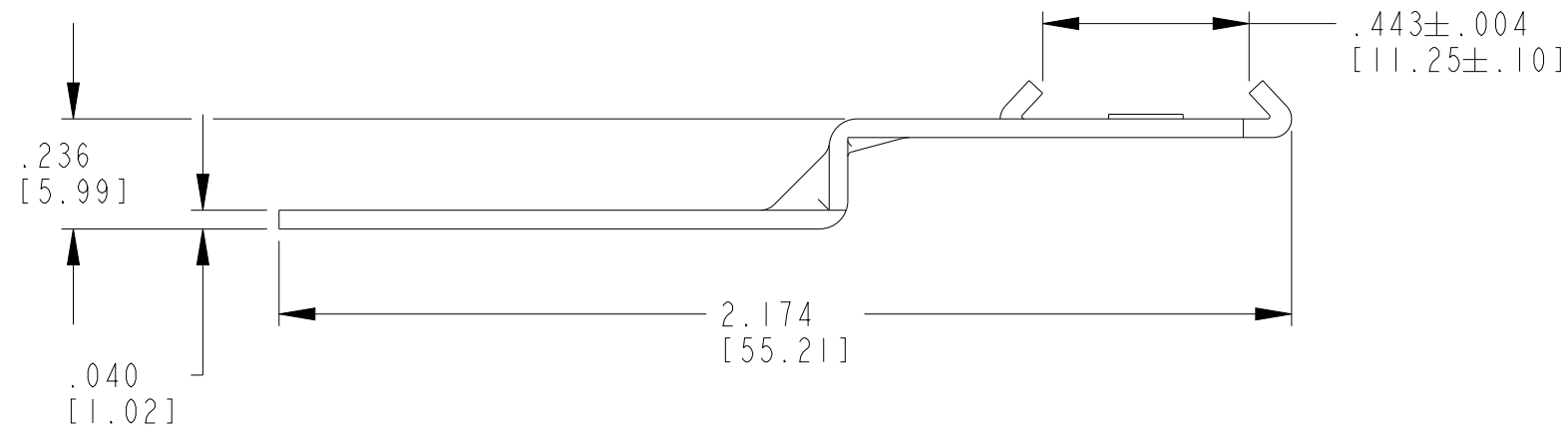


LOC	DIST	REVISIONS			
P	LTR	DESCRIPTION	DATE	DWN	APVD
	A	NEW RELEASE	23DEC2015	DH	DM
	A1	REVISED PER PCN E-21-001566	11FEB2021	MK	IG
	A2	REVISED PER PCN-23-189980	16OCT2023	GB	CB



3D VIEW



- 3. PART IS IN ACCORDANCE WITH RoHS STANDARDS.
- 2. CLIP RETENTION FORCE SHALL BE 20 LBF [89] MINIMUM.
- (A2) 1. THIS PART MATES WITH ALL DT (EXCEPT 8P), DTM, DTP, DTHD, DTCE RECEPTACLES OR OTHER PARTS WITH THE CLIP RETENTION FEATURE.

NOTES: UNLESS OTHERWISE SPECIFIED

THIS DRAWING IS A CONTROLLED DOCUMENT.		DWN D.HASIBUAN 12NOV2015	TE Connectivity	
DIMENSIONS: INCHES [mm]		CHK D.MEYER 23DEC2015		
TOLERANCES UNLESS OTHERWISE SPECIFIED:		APVD D.MEYER 23DEC2015	NAME METAL CLIP, 1MM HOLE SIDE MOUNTING BRACKET	
0 PLC ± 1 PLC ± 2 PLC ± 3 PLC ±.025 [0.64] 4 PLC ± ANGLES ±0°30'0"		PRODUCT SPEC -	APPLICATION SPEC 114-151009	
MATERIAL STEEL	FINISH ZINC	WEIGHT 12.1g	SIZE A3	CAGE CODE 4AFU8
CUSTOMER DRAWING			DRAWING NO G-1027-008-1200	RESTRICTED TO -
			SCALE NONE	SHEET 1 OF 1
			REV A2	