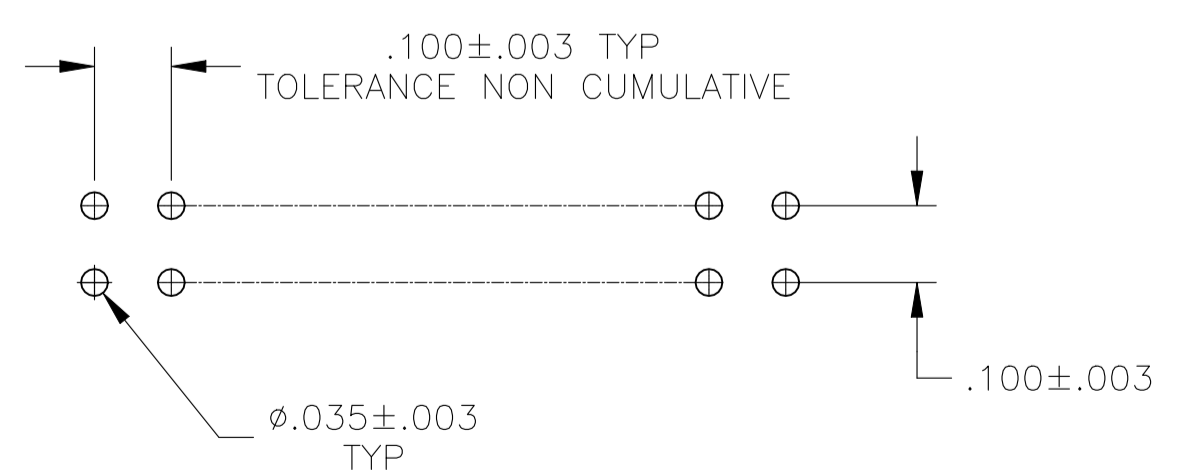
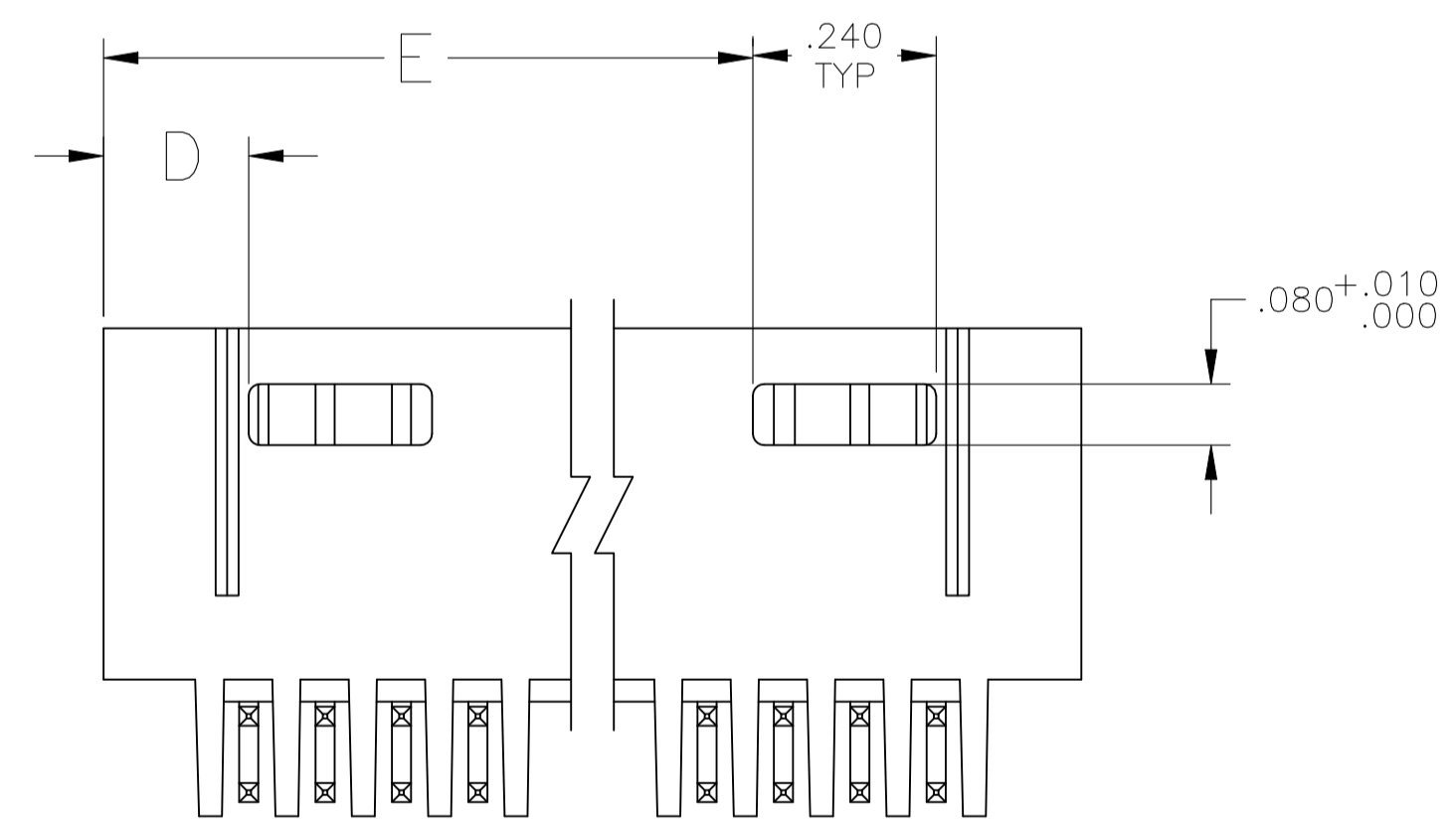
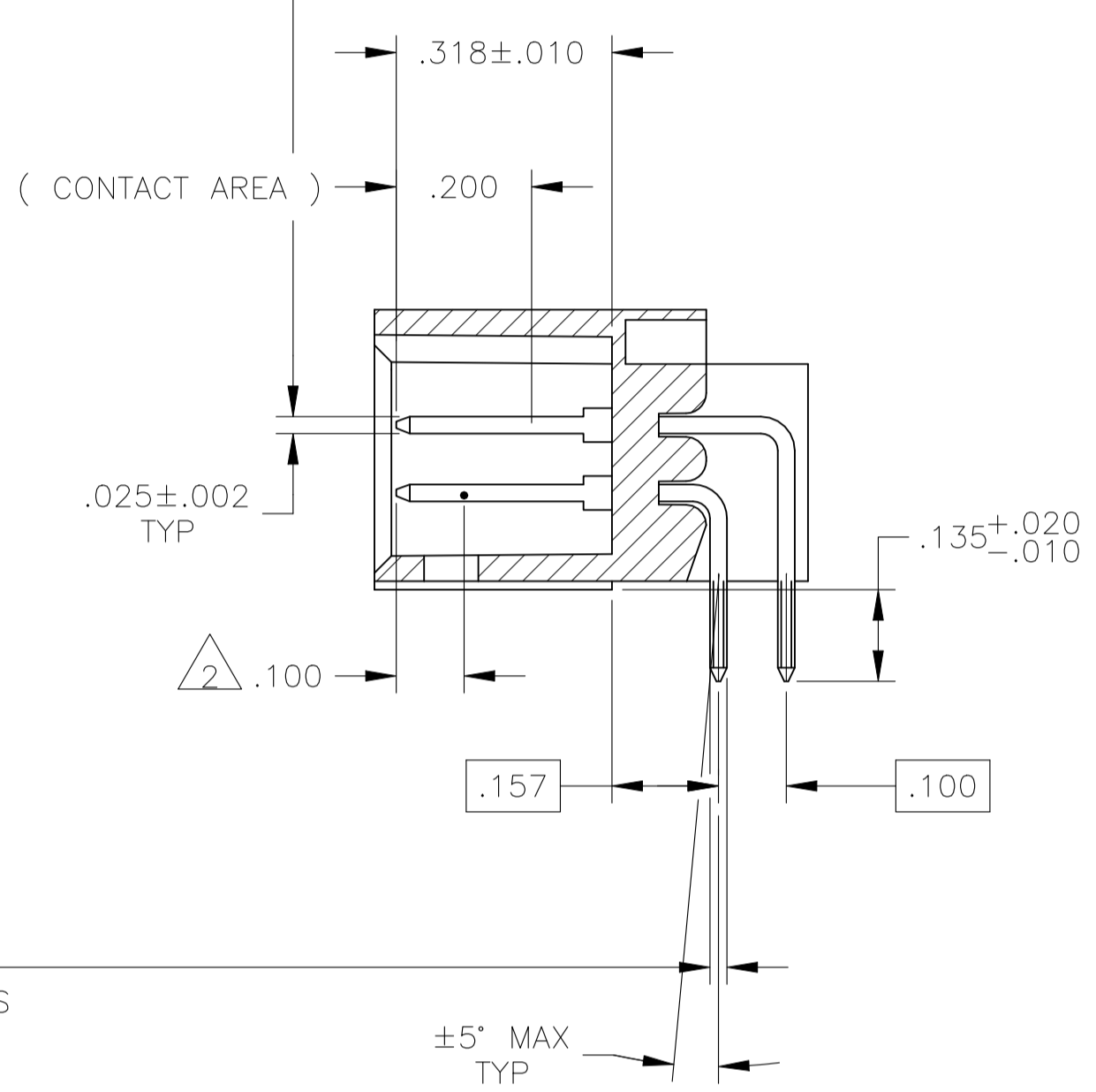
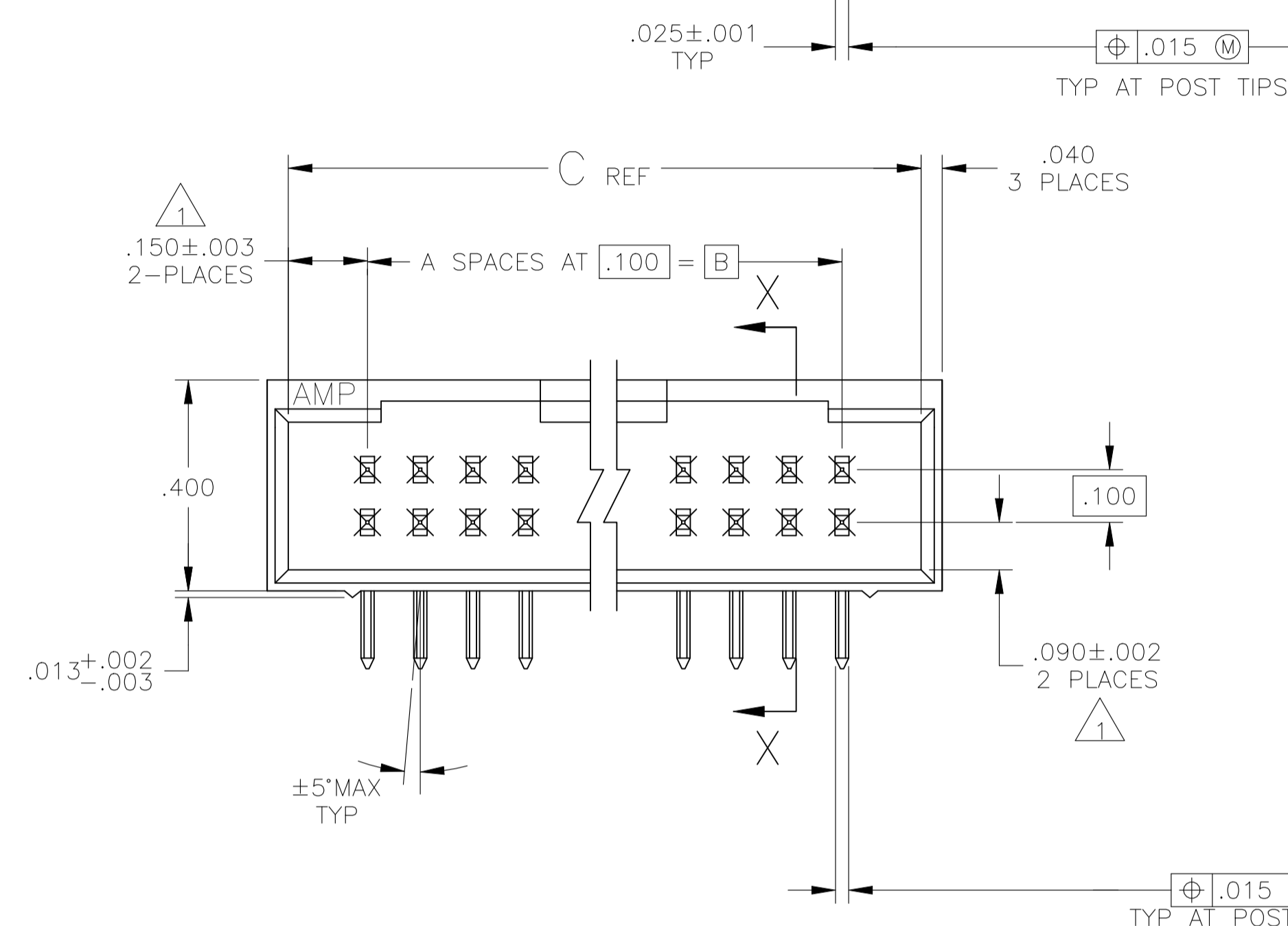
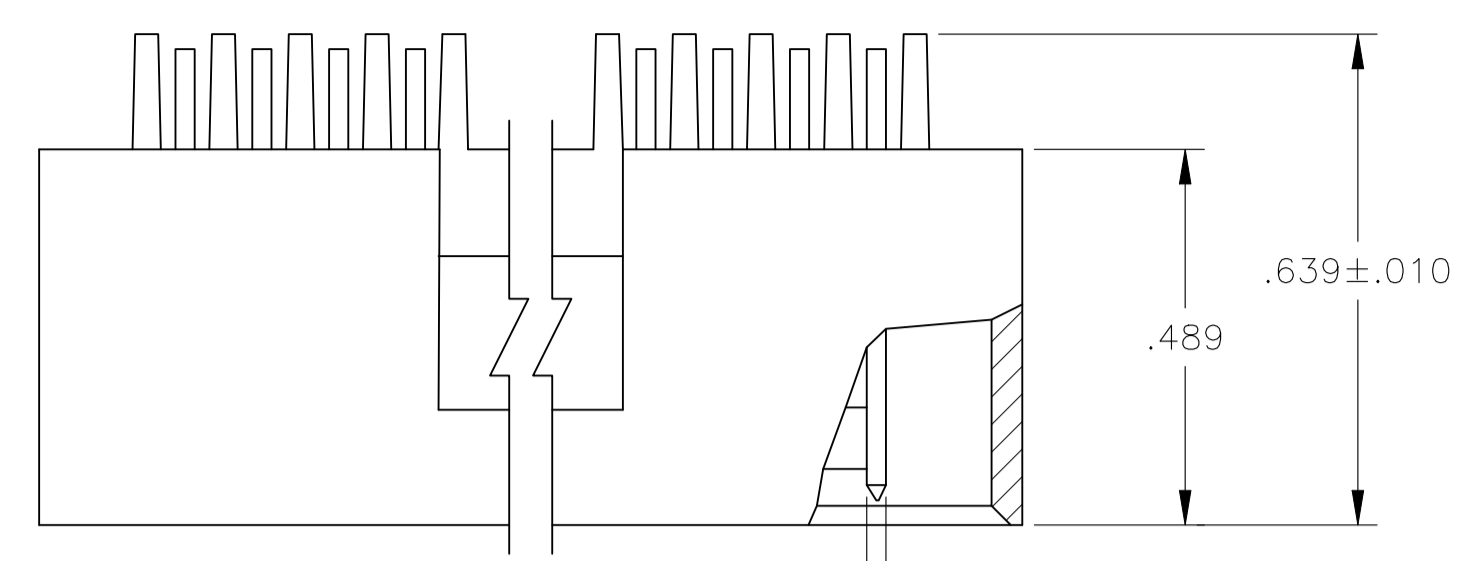


REVISIONS					
P	LTR	DESCRIPTION	DATE	DWN	APVO
H5	REVISED PER	ECN-24-247102	23JAN2024	RK	MF

- 1 THE NOTED DIMENSIONS APPLY AT THE INTERSECTION OF THE POST AND HOUSING.
- 2 POINT OF MEASUREMENT FOR PLATING THICKNESS.
- 3 OBSOLETE PART NUMBER.
- 4 FINISH: POSTS: .000015 GOLD IN CONTACT AREA , .000100-.000200 MATTE TIN-LEAD ON SOLDER TAIL, ALL OVER .000050 NICKEL.
- 5 FINISH: POSTS: .000015 GOLD IN CONTACT AREA , .000100-.000200 MATTE TIN ON SOLDER TAIL ALL OVER .000050 NICKEL.
- 6 OBSOLETE PARTS: OBSOLETE CIS STREAMLINING PER D.RENAUD/D.SINISI



PLATING	E	D	C	B	A	NO OF POSN	ASSEMBLY PART NUMBER
OBSOLETE	3.490	.190	3.800	3.500	35	72	8-102570-3
OBSOLETE	3.390	.190	3.700	3.400	34	70	8-102570-2
OBSOLETE	3.290	.190	3.600	3.300	33	68	8-102570-1
OBSOLETE	3.190	.190	3.500	3.200	32	66	8-102570-0
OBSOLETE	3.090	.190	3.400	3.100	31	64	7-102570-9
OBSOLETE	2.990	.190	3.300	3.000	30	62	7-102570-8
OBSOLETE	2.890	.190	3.200	2.900	29	60	7-102570-7
OBSOLETE	2.790	.190	3.100	2.800	28	58	7-102570-6
OBSOLETE	2.690	.190	3.000	2.700	27	56	7-102570-5
OBSOLETE	2.590	.190	2.900	2.600	26	54	7-102570-4
OBSOLETE	2.490	.190	2.800	2.500	25	52	7-102570-3
OBSOLETE	2.390	.190	2.700	2.400	24	50	7-102570-2
OBSOLETE	2.290	.190	2.600	2.300	23	48	7-102570-1
OBSOLETE	2.190	.190	2.500	2.200	22	46	7-102570-0
OBSOLETE	2.090	.190	2.400	2.100	21	44	6-102570-9
OBSOLETE	1.990	.190	2.300	2.000	20	42	6-102570-8
OBSOLETE	1.790	.190	2.100	1.800	18	38	6-102570-7
OBSOLETE	1.690	.190	2.000	1.700	17	36	6-102570-6
OBSOLETE	1.590	.190	1.900	1.600	16	34	6-102570-5
OBSOLETE	1.490	.190	1.800	1.500	15	32	6-102570-4
OBSOLETE	1.390	.190	1.700	1.400	14	30	6-102570-3
OBSOLETE	1.290	.190	1.600	1.300	13	28	6-102570-2
OBSOLETE	1.190	.190	1.500	1.200	12	26	6-102570-1
OBSOLETE	1.090	.190	1.400	1.100	11	24	6-102570-0
OBSOLETE	.990	.190	1.300	1.000	10	22	5-102570-9
OBSOLETE	.890	.190	1.200	.900	9	20	5-102570-8
OBSOLETE	---	.490	1.100	.800	8	18	5-102570-7
OBSOLETE	---	.390	1.000	.700	7	16	5-102570-6
OBSOLETE	---	.390	.900	.600	6	14	5-102570-5
OBSOLETE	---	.290	.800	.500	5	12	5-102570-4
OBSOLETE	---	.290	.700	.400	4	10	5-102570-3
OBSOLETE	---	.190	.600	.300	3	8	5-102570-2
OBSOLETE	1.890	.190	2.200	1.900	19	40	5-102570-1
OBSOLETE	3.490	.190	3.800	3.500	35	72	3-102570-3
OBSOLETE	3.390	.190	3.700	3.400	34	70	3-102570-2
OBSOLETE	3.290	.190	3.600	3.300	33	68	3-102570-1
OBSOLETE	3.190	.190	3.500	3.200	32	66	3-102570-0
OBSOLETE	3.090	.190	3.400	3.100	31	64	2-102570-9
OBSOLETE	2.990	.190	3.300	3.000	30	62	2-102570-8
OBSOLETE	2.890	.190	3.200	2.900	29	60	2-102570-7
OBSOLETE	2.790	.190	3.100	2.800	28	58	2-102570-6
OBSOLETE	2.690	.190	3.000	2.700	27	56	2-102570-5
OBSOLETE	2.590	.190	2.900	2.600	26	54	2-102570-4
OBSOLETE	2.490	.190	2.800	2.500	25	52	2-102570-3
OBSOLETE	2.390	.190	2.700	2.400	24	50	2-102570-2
OBSOLETE	2.290	.190	2.600	2.300	23	48	2-102570-1
OBSOLETE	2.190	.190	2.500	2.200	22	46	2-102570-0
OBSOLETE	2.090	.190	2.400	2.100	21	44	1-102570-9
OBSOLETE	1.990	.190	2.300	2.000	20	42	1-102570-8
OBSOLETE	1.790	.190	2.100	1.800	18	38	1-102570-7
OBSOLETE	1.690	.190	2.000	1.700	17	36	1-102570-6
OBSOLETE	1.590	.190	1.900	1.600	16	34	1-102570-5
OBSOLETE	1.490	.190	1.800	1.500	15	32	1-102570-4
OBSOLETE	1.390	.190	1.700	1.400	14	30	1-102570-3
OBSOLETE	1.290	.190	1.600	1.300	13	28	1-102570-2
OBSOLETE	1.190	.190	1.500	1.200	12	26	1-102570-1
OBSOLETE	1.090	.190	1.400	1.100	11	24	1-102570-0
OBSOLETE	.990	.190	1.300	1.000	10	22	102570-9
OBSOLETE	.890	.190	1.200	.900	9	20	102570-8
OBSOLETE	---	.490	1.100	.800	8	18	102570-7
OBSOLETE	---	.390	1.000	.700	7	16	102570-6
OBSOLETE	---	.390	.900	.600	6	14	102570-5
OBSOLETE	---	.290	.800	.500	5	12	102570-4
OBSOLETE	---	.290	.700	.400	4	10	102570-3
OBSOLETE	---	.190	.600	.300	3	8	102570-2
OBSOLETE	1.890	.190	2.200	1.900	19	40	102570-1

SUP BY 7-102570-2

PLATING	E	D	C	B	A	NO OF POSN	ASSEMBLY PART NUMBER
---------	---	---	---	---	---	------------	----------------------

THIS DRAWING IS A CONTROLLED DOCUMENT.

TE Connectivity

HDR ASSY, MOD II SHROUDED
.100X.100 C/L 4 SIDES, DR
RIGHT ANGLE W/ .025 SQ POSTS

020779C=102570

SCALE 4:1 SHEET 1 of 1 REV H5