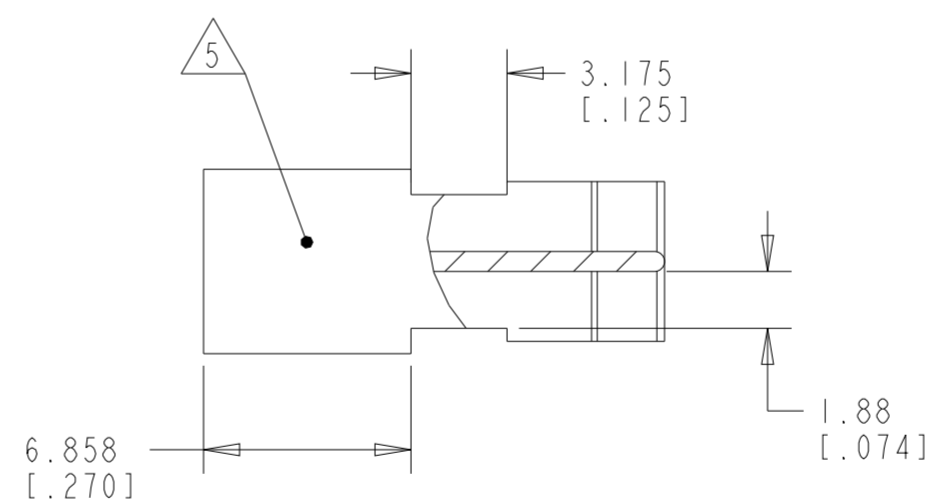
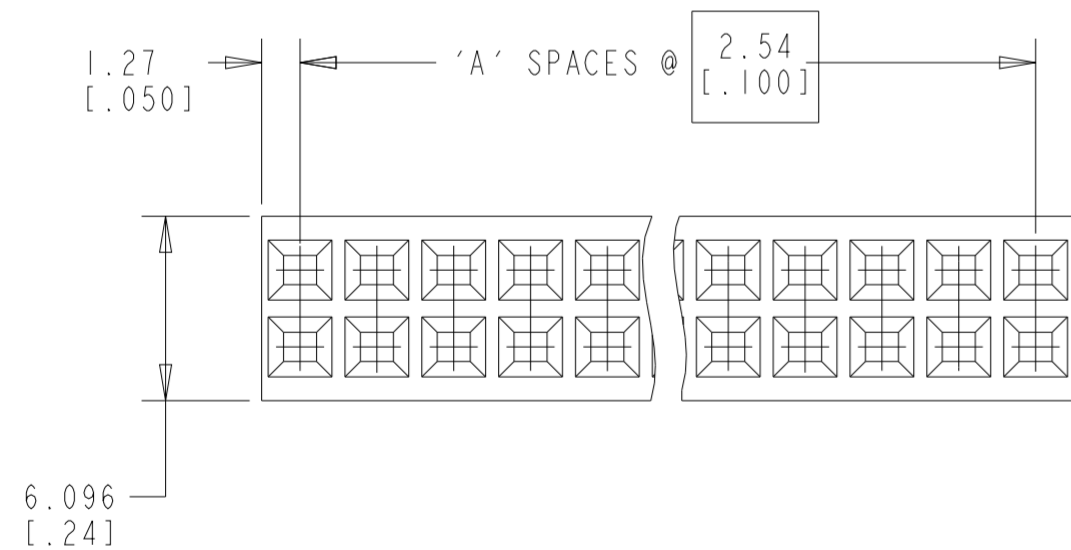
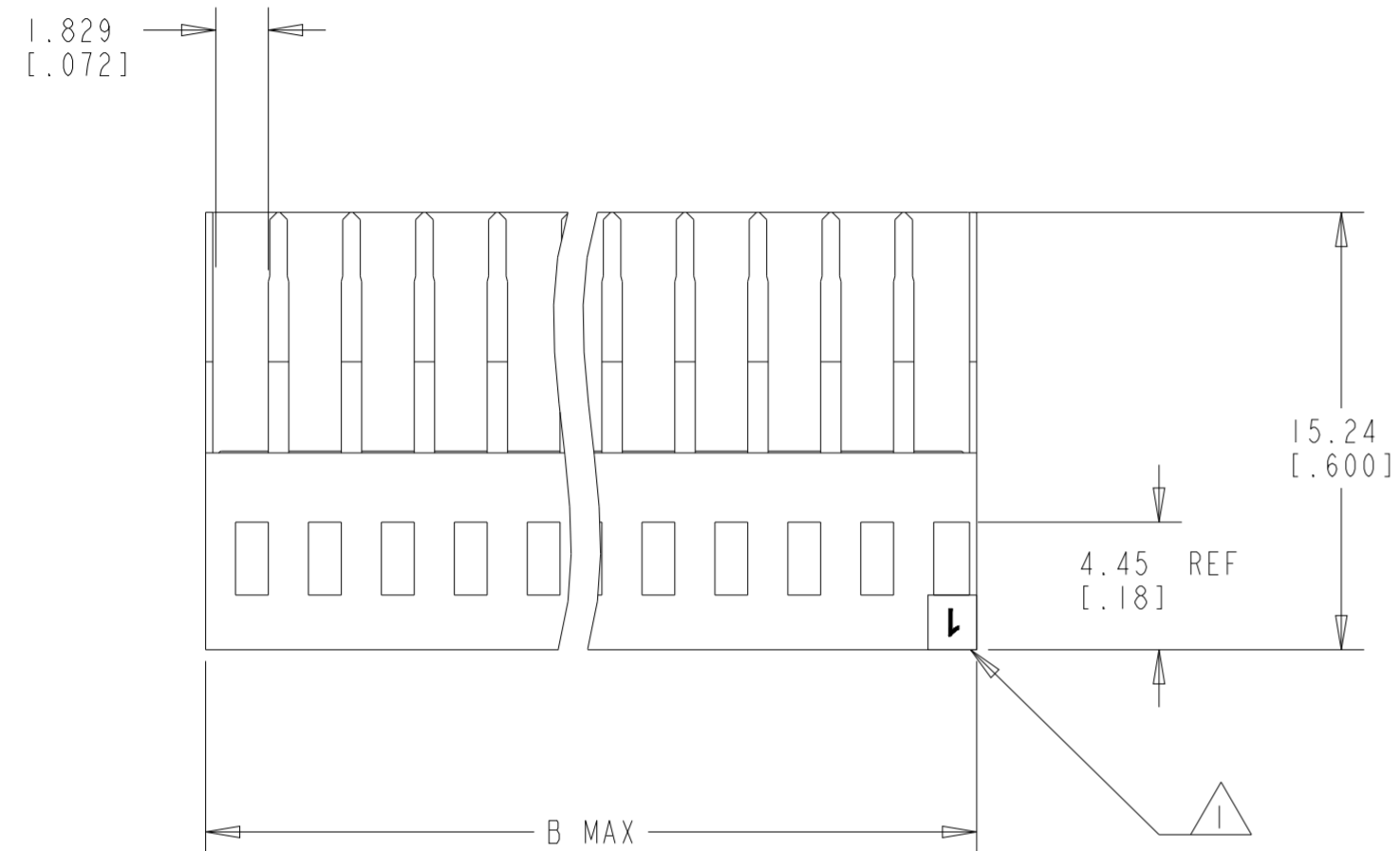


- 1 MOLDED CIRCUIT #1 IDENTIFIER IN LOCATION SHOWN.
- 2 MATERIAL: GLASS FILLED THERMOPLASTIC, UL 94-V0 RATED, COLOR: BLACK
- 3. NOTE DELETED
- 4. THE PRODUCT IS IN PROCESS FOR QUALIFICATION, AND IS NOT YET QUALIFIED
- 5 TE LOGO ON EITHER SIDE

REVISIONS				
P	LTR	DESCRIPTION	DATE	APVD
	HI	REVISED PER ECO-11-004587	11MAR2011	RK HMR
	J	REVISED PER ECR-22-132152	15JUN2022	RK SD
	J1	REVISED PER ECN-23-211206	24JUN2023	RK MF
	J2	REVISED PER ECN-24-281985	29AUG2024	RK MF



	91.44[3.600]	35	72	3-102394-4
OBSOLETE	88.90[3.500]	34	70	3-102394-3
	86.36[3.400]	33	68	3-102394-2
	83.82[3.300]	32	66	3-102394-1
	81.28[3.200]	31	64	3-102394-0
	78.74[3.100]	30	62	2-102394-9
	76.20[3.000]	29	60	2-102394-8
	73.66[2.900]	28	58	2-102394-7
	71.12[2.800]	27	56	2-102394-6
	68.58[2.700]	26	54	2-102394-5
	66.04[2.600]	25	52	2-102394-4
	63.50[2.500]	24	50	2-102394-3
	60.96[2.400]	23	48	2-102394-2
	58.42[2.300]	22	46	2-102394-1
	55.88[2.200]	21	44	2-102394-0
	53.34[2.100]	20	42	1-102394-9
	50.80[2.000]	19	40	1-102394-8
	48.26[1.900]	18	38	1-102394-7
	45.72[1.800]	17	36	1-102394-6
	43.18[1.700]	16	34	1-102394-5
	40.64[1.600]	15	32	1-102394-4
38.10[1.500]	14	30	1-102394-3	
35.56[1.400]	13	28	1-102394-2	
33.02[1.300]	12	26	1-102394-1	
30.48[1.200]	11	24	1-102394-0	
27.94[1.100]	10	22	102394-9	
25.40[1.000]	9	20	102394-8	
22.86[.900]	8	18	102394-7	
20.32[.800]	7	16	102394-6	
17.78[.700]	6	14	102394-5	
15.24[.600]	5	12	102394-4	
12.70[.500]	4	10	102394-3	
10.16[.400]	3	8	102394-2	
7.62[.300]	2	6	102394-1	
B	A	NO. OF POSN	PART NO.	

**METRIC**

THIS DRAWING IS A CONTROLLED DOCUMENT.		DWN S. SHUEY 24JUL91	<b>STE</b> TE Connectivity	
DIMENSIONS: mm [Inch]		CHK M. RIDER 24JUL91		
TOLERANCES UNLESS OTHERWISE SPECIFIED:		APVD M. RIDER 24JUL91	NAME HOUSING, AMPMODU, MASS TERMINATION DOUBLE ROW, .100X.100 C/L	
0 PLC ±	1 PLC ±	PRODUCT SPEC -	SIZE A2	CAGE CODE 00779
2 PLC ±0.13 [.005]	3 PLC ±	APPLICATION SPEC -	DRAWING NO G-102394	RESTRICTED TO -
4 PLC ±	ANGLES ±	WEIGHT -	SCALE 4:1	SHEET 1 OF 1
MATERIAL 2	FINISH -	CUSTOMER DRAWING	REV J2	