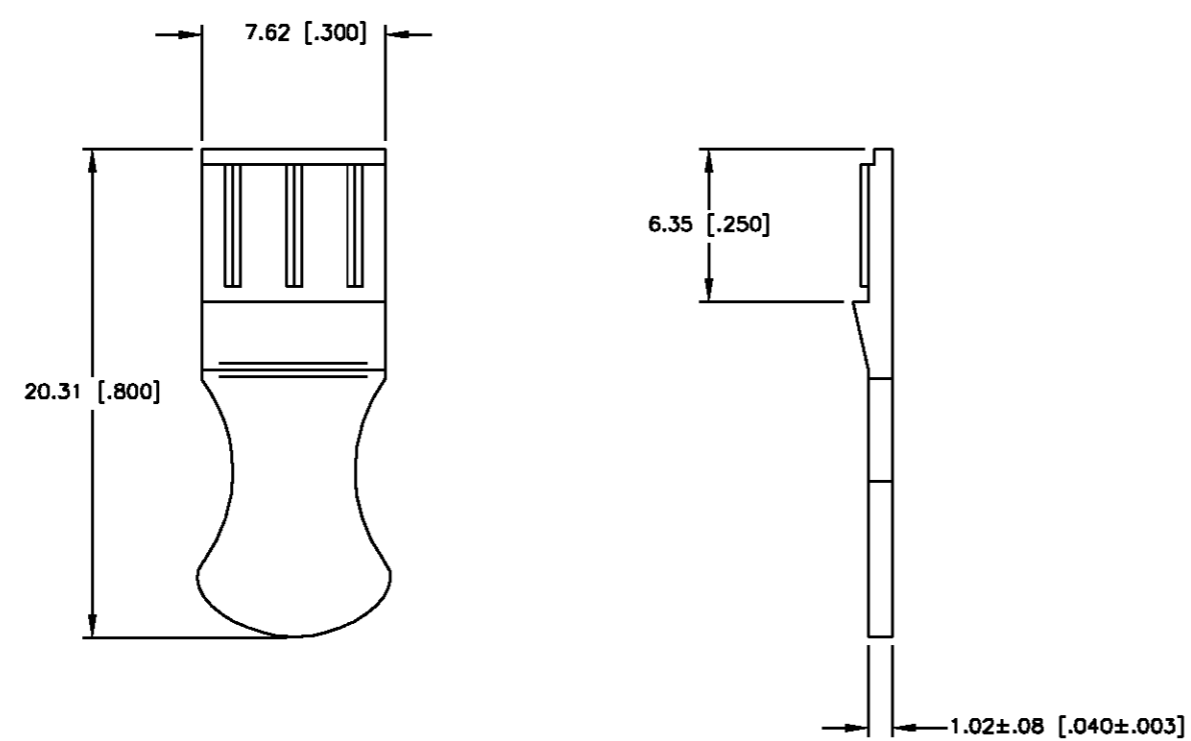


4 3 2 1

THIS DRAWING IS UNPUBLISHED. RELEASED FOR PUBLICATION
 © COPYRIGHT BY TYCO ELECTRONICS CORPORATION. ALL RIGHTS RESERVED.

LOC	DIST	REVISIONS			
P	LTR	DESCRIPTION	DATE	DMN	APVD
AD	39	C	REV PER 0G3C-0287-00	16AUG00	BH DS



1 BLACK THERMOPLASTIC.

102168-1
 PART NUMBER

THIS DRAWING IS A CONTROLLED DOCUMENT.		DMN D. KETZER 8-5-88	AMP Tyco Electronics Corporation Harrisburg, PA 17105	
DIMENSIONS: INCHES		CHK S. BEAM 8-10-88	NAME	
TOLERANCES UNLESS OTHERWISE SPECIFIED:		APVD	STRAIN RELIEF FOR MOD IV HSG.	
0 PLC ± -		PRODUCT SPEC	SIZE CAGE CODE DRAWING NO RESTRICTED TO	
1 PLC ± -		APPLICATION SPEC	A3 00779 C-102168	
2 PLC ± -		WEIGHT	SCALE 4:1 SHEET 1 of 1 REV C	
3 PLC ± .005				
4 PLC ± -				
ANGLES ± -				
MATERIAL	FINISH	CUSTOMER DRAWING		
1	-			