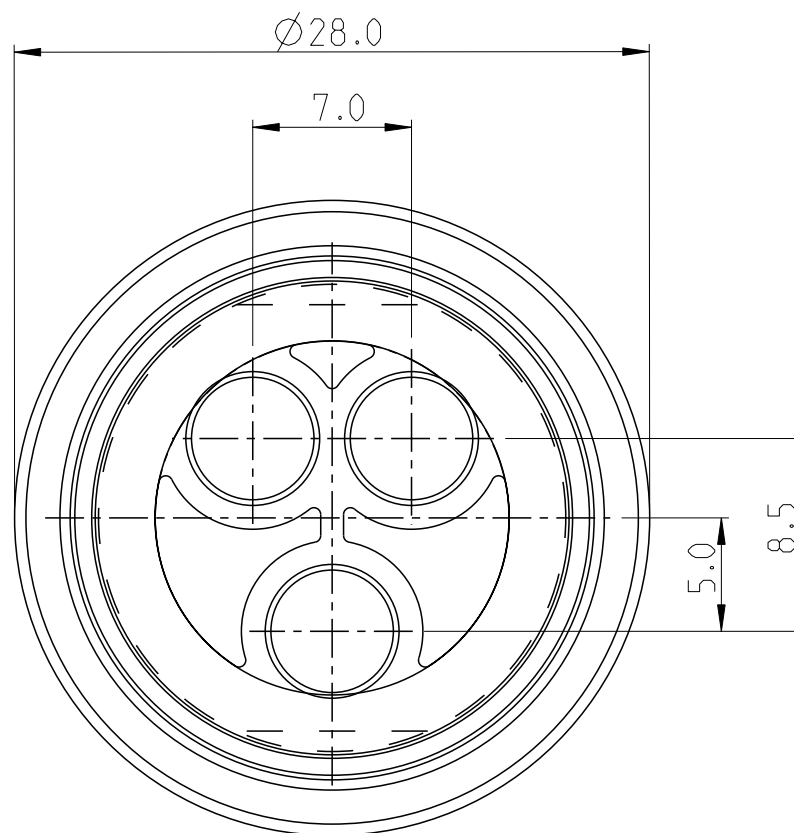
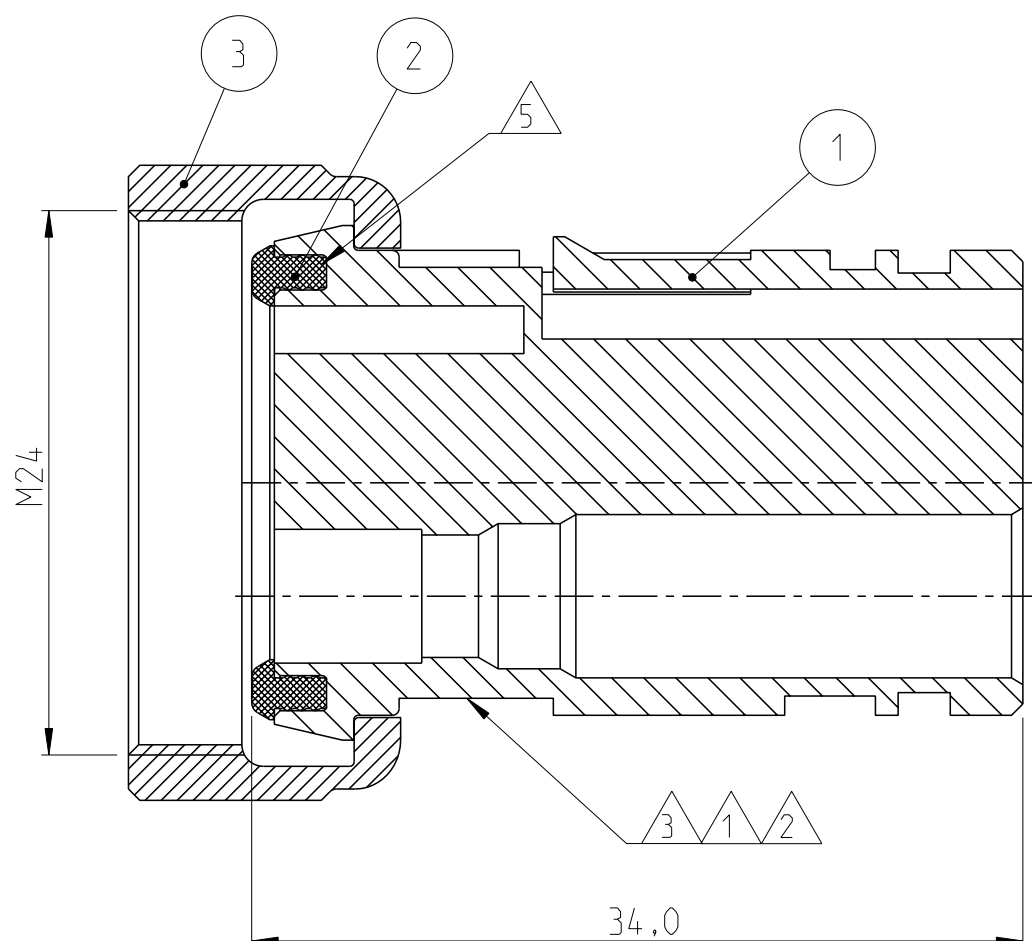


REVISIONS

P	LTR	DESCRIPTION	DATE	DWN	APVD
0		H-9527	10-02-92	JvL	RotB
A		H-9765	13MAY92	LvdH	RotB
B		EH-0896-93	18-11-93	DK	RotB
B1		ECR-13-014597	01JAN2014	JBH	GB



NOTES:

- 1 TE-TRADEMARK PER SPEC.
- 2 TE-IDENTIFICATION NUMBER ACC. DIN 1451 MITTLESCHR. HEIGHT 1.2
- 3 TE-MOLD IDENTIFICATION NUMBER
- 4 CAVITY FOR:
 - 1 4mm. SOCKET CONTACT WIRE SIZE 0.5-4mm² SEE DRAWING NR. 962952-1 NR. 962954-1 NR. 962956-1
 - 2 SCAT SEE DRAWING NR. 963243-1 NR. 963244-1
- 5 SEAL BONDED IN INSERT.

-1 AS SHOWN

BRASS	NUT M24	BRASS	100296-1	3
SILICON RUBBER	SEALING RING	BLACK	100294-1	2
PBT	3-POS. HOUSING	BLACK	100289-1	1
MATERIAL	DESCRIPTION	COLOUR/FINISH ^(B1)	PART NUMBER	ITEM

THIS DRAWING IS A CONTROLLED DOCUMENT.		DWN	01JAN2001		TE TE Connectivity		
		CHK	01JAN2001				
		APVD	01JAN2001				
		PRODUCT SPEC					
DIMENSIONS: mm		TOLERANCES UNLESS OTHERWISE SPECIFIED:		NAME			
		0 PLC ±		ASSY 3 POS HOUSING FOR 4mm. SOCKET CONTACT M24 VERSION			
		1 PLC ±0.2					
MATERIAL		2 PLC ±0.02				SIZE	RESTRICTED TO
		3 PLC ±0.005				A3	
		4 PLC ±		CAGE CODE	SCALE		
		ANGLES ±°		00779		SHEET	
		FINISH		DRAWING NO	1 OF 1		
				©=100285		REV	
				WEIGHT	B1		
				CUSTOMER DRAWING			
				SCALE	5:1		