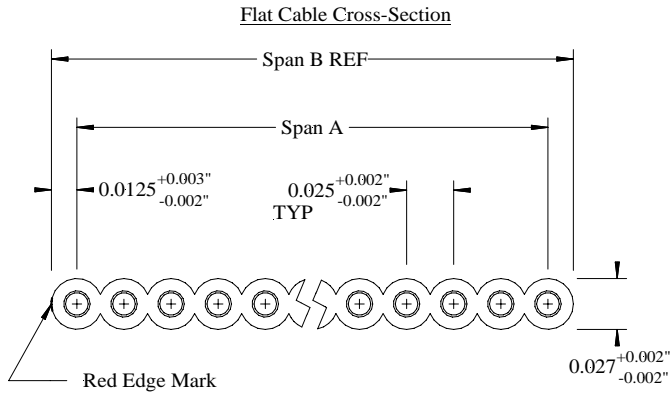


MULTI-CONDUCTOR 30 AWG 0.025" CENTER FLAT RIBBON CABLE



CONSTRUCTION

Single Component

Conductor: 30 AWG 7/38 Tin Plated Copper, 0.012 Inch Diameter

Final Assembly

Core: Singles Laid Flat and Parallel (See Table 1)

Insulation/Jacket: 0.0075 Inches Nominal of PVC, Color - Gray

Dimensions: See Table 1 and Cross-Sectional Drawing

Identification: Polarity Edge Mark shall cover at minimum the edge of cable to the centerline of the first conductor and shall not exceed the centerline of the third conductor top and bottom, Color - Red

Print Legend (Black Ink): "AWM STYLE 2678 105°C 150V VW-1 MADISON CABLE {Mfg Location Code}¹ CSA AWM I A 105°C 150V FT1"

¹ Mfg. Location Code is an optional code that is inserted for manufacturing location other than Worcester.

TABLE 1 – PART NUMBERS & DIMENSIONS

# of Cond	Tyco P/N		Dimensions (Inches)	
	100 ft Putup ²	500 ft Putup ³	Span A	Span B (Nominal)
16	4-57131-9	5-57131-0	0.375 ± 0.005	0.400
20	1-57131-3	0-57131-1	0.475 ± 0.005	0.500
24	1-57131-4	0-57131-8	0.575 ± 0.005	0.600
26	2-57131-5	2-57131-6	0.625 ± 0.005	0.650
28	4-57131-6	4-57131-7	0.675 ± 0.005	0.700
30	1-57131-5	0-57131-6	0.725 ± 0.005	0.750
36	1-57131-6	0-57131-7	0.875 ± 0.006	0.900
40	1-57131-7	0-57131-2	0.975 ± 0.006	1.000
44	1-57131-8	0-57131-9	1.075 ± 0.006	1.100
50	1-57131-9	1-57131-0	1.225 ± 0.006	1.250
60	2-57131-0	0-57131-3	1.475 ± 0.006	1.500
68	6-57131-1	1-57131-1	1.675 ± 0.006	1.700
72	2-57131-2	1-57131-2	1.775 ± 0.006	1.800
80	2-57131-3	0-57131-4	1.975 ± 0.006	2.000
100	2-57131-4	0-57131-5	2.475 ± 0.006	2.500

PITCH ACCUMULATION CHART⁴

Number of Conductors	Accumulation Range
0 – 68	-0.003 / +0.005"
69 – 80	-0.003 / +0.007"
81-100	-0.003 / +0.008"

² Length per Reel: 100 +6/-0 ft; May Contain Separate Lengths; 20 ft Minimum per Length, Two Lengths Maximum per Reel

³ Length per Reel: 500 + 6/-0 ft Continuous

⁴ Pitch Accumulation is defined as the maximum difference between the actual accumulated pitch and the accumulated specification pitch for any group of continuous conductors.

ELECTRICAL CHARACTERISTICS⁵

Impedance: 70 Ohms Nominal @ TDR

Capacitance: 22.0 pF/ft Nominal @ 1 MHz

Time Delay: 1.55 ns/ft Nominal

Crosstalk (5 ns rise-time on 10 ft sample):

Near-End: 5.2% Maximum

Far-End: 6.9% Maximum

Conductor DC Resistance: 0.095 Ohms/ft Nominal @ 20°C

⁵ Electricals measured using G-S-G, all grounds commoned.

SAFETY CERTIFICATION

UL Recognized: AWM Style 2678 105°C 150 Volts VW-1

CSA Certification: AWM I A 105°C 150 Volts FT1

RoHS Compliance: In Accordance to European Directive 2002/95/EC, Issue 13.2.2003




125 Goddard Memorial Drive • Worcester, MA 01603 USA
 Tel: (508) 752-2884 Toll-Free: (877) MADISON Fax: (508) 752-4230

REVISION HISTORY

Rev	Date	By	Description
1	08/12/02	EP	Initial Release (Revised AS-400 Description)
2	08/19/04	EP	Revised P/N Table; Added Legend
3	08/14/08	DC	Revised P/N Table
4	02/25/09	DC	Revised P/N Table

Spec Number:	100-7147	Prepared By:	D.M. Card	Page 1 of 1
Part Number:	See Table 1	Reviewed By:	T. Grzysiewicz	
Customer:			B. Morissette	
Customer #:				

Users should evaluate the suitability of this product for their application. Contact factory for latest revision of specification. Tyco Electronics reserves the right to make changes in materials or processing, which do not affect compliance with any specification, without notification to the Buyer.