

HARTMAN KD400 SERIES

400 A, 28 VDC CONTACTORS

The Lightweight, High-Efficiency 400 A Power Switching Solution for Harsh 28 VDC Aerospace and Defense Applications

HARTMAN KD400 SERIES CONTACTORS

Lightweight, Versatile and Efficient Power Switching Solutions



SAVES SPACE AND WEIGHT

- 1.88 to 2 lbs. (854 to 908 grams) depending on style selected
- < 30 cubic inches (490 cm³) volume

CAPABLE

- 400 A make/carry/break
- 4000 A rupture
- 28 VDC
- One NO and one NC

EFFICIENT

- Electronically economized to reduce power
- Configuration flexibility
- Multiple mounting options

RUGGED

- -55°C to +70°C operating temperature range
- Meets applicable requirements of MIL-PRF-6106M

Hartman KD400 Series 2-pole contactors from TE Connectivity (TE) are very small and lightweight for greater fuel efficiencies, crucial in aerospace applications. They are designed for use in DC power systems for commercial aircraft, military aircraft, and ground vehicles.

The KD400 Series are 400 A resistive, 4000 A rupture, two-pole contactors, featuring both normally open and normally closed main contacts, for 28 VDC power systems. They are available in bus bar, captive screw, and chassis mount configurations for power management systems and ground power supply to generator transfer switches.

With two separate contact sets (one normally open and one normally closed) of main contacts, the KD400 Series contactor offers the flexibility to be configured to control two separate circuits. With an external jumper, the contactor can be configured as a single-pole, double-throw (SPDT) main contact configuration to switch power between two different loads or provide two alternate sources to one load.

KD400 contactors also feature electronic economizing and are available with up to 3 SPDT auxiliary contact sets.

Specifications

MAIN CONTACTS

- **Configuration:** One NO and one NC
- **Voltage:** 28 VDC
- **Current (Resistive Load):** 400 A
- **Rupture Current:** 4000 A
- **Voltage Drop:** 150 mV max.

AUXILIARY CONTACTS

- **Configuration:** SPDT
- **Number of Auxiliary Contacts:** 1 to 3
- **Voltage:** 28 VDC
- **Current:**
 - Resistive Load: 5 A
 - Inductive Load: 1 A
- **Bounce:** 5 ms at 28 VDC, 25°C
- **Dielectric Withstand:** 1000 V_{rms}

COIL DATA

- **Duty Cycle:** Continuous (Electronic Economized)
- **Pickup Voltage:** 18 VDC nom., 20 VDC max. at 85°C
- **Max. Operating Voltage:** 32 VDC
- **Dropout Voltage:** 1.5 to 7 VDC
- **Inrush Current:** 12 A max. (100 ms)
- **Pickup and Dropout Time:** 25 ms at 25°C
- **Suppression:** ±42 V

TE Components . . . TE Technology . . . TE Know-how . . .

AMP | Agastat | CII | Hartman | Kilovac | Microdot | Nanonics | Polamco | Raychem | Rochester | DEUTSCH SEACON Phoenix | L.L. Rowe | Phoenix Optix | AFP | SEACON

Get your product to market faster with a smarter, better solution.



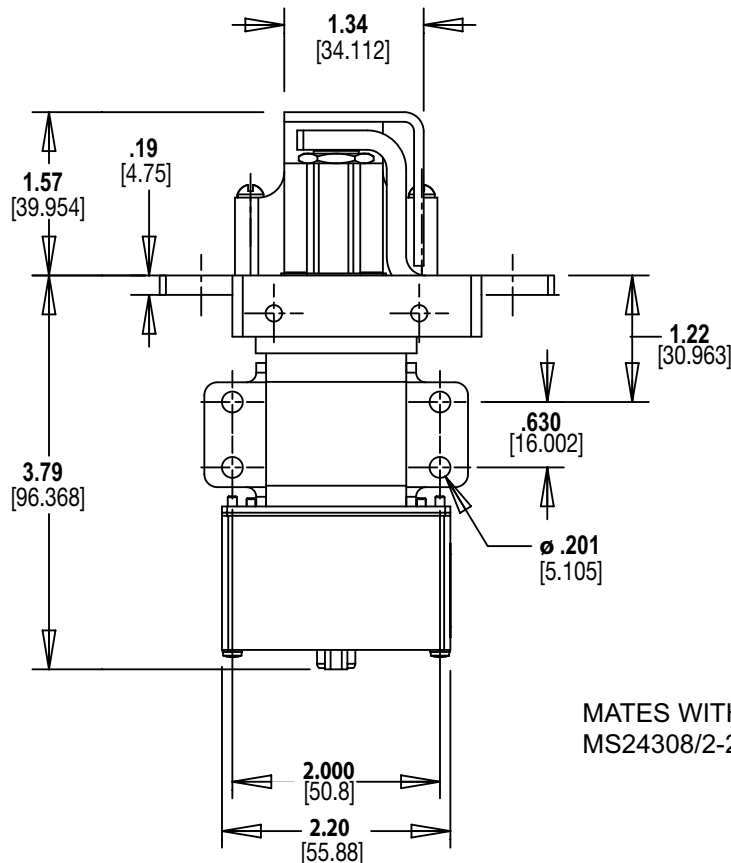
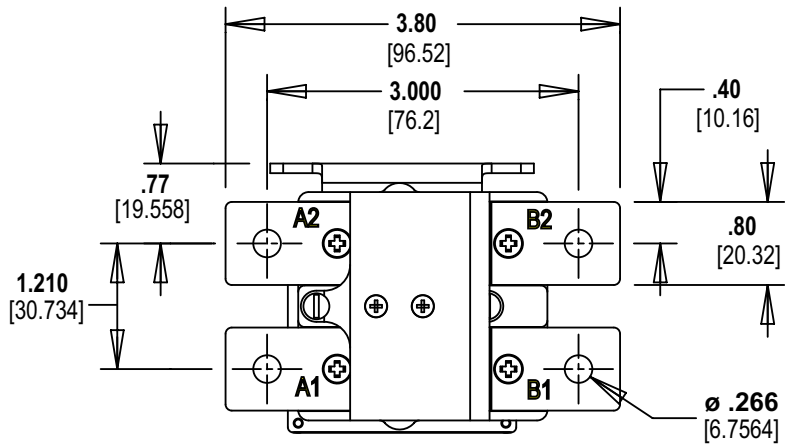
ENVIRONMENTAL/MECHANICAL

- **Operating Temperature:** -55°C to +70°C
- **Ground Survivability Temperature:** -55°C to +85°C
- **Altitude:** 55,000 ft.
- **Decompression:** 55,000 ft.
- **Electrical Life:** 50,000 cycles

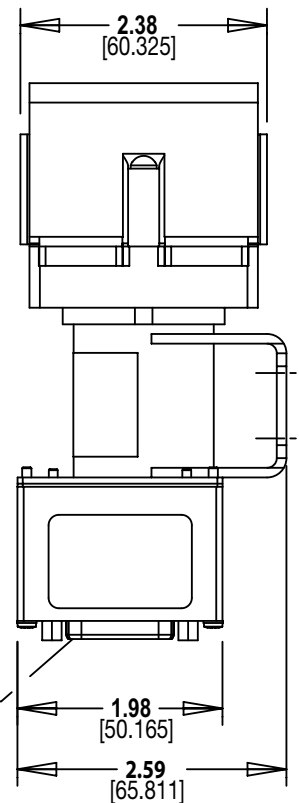
- **Mechanical Life:** 100,000 cycles
- **Mounting Styles:** Chassis, captive screw, or bus bar
- **Weight:** 1.88 to 2 lb. (854 to 908 g) depending on style

STANDARDS

- MIL-PRF-6106M



MATES WITH MS24308/2-2



LET'S CONNECT

We make it easy to connect with our experts and are ready to provide all the support you need. Just call your local support number or visit www.te.com/industrial to chat with a Product Information Specialist.

Technical Support

te.com/support-center

North America	+1 800 522 6752	Asia Pacific	+86 400 820 6015
North America (Toll)	+1 717 986 7777	Japan	044 844 8180
EMEA/South Africa	+800 0440 5100	Australia	+61 2 9554 2695
EMEA (Toll)	+31 73 624 6999	New Zealand	+64 (0) 9 634 4580
India (Toll-Free)	+800 440 5100		

te.com/kd400

Hartman, TE, TE Connectivity and the TE connectivity (logo) are trademarks of the TE Connectivity Ltd. family of companies. Other products, logos, and company names mentioned herein may be trademarks of their respective owners.

While TE has made every reasonable effort to ensure the accuracy of the information herein, nothing herein constitutes any guarantee that such information is error-free, or any other representation, warranty or guarantee that the information is accurate, correct, reliable or current. The TE entity issuing this publication reserves the right to make any adjustments to the information contained herein at any time without notice. All implied warranties regarding the information contained herein, including, but not limited to, any implied warranties of merchantability or fitness for a particular purpose are expressly disclaimed. The dimensions herein are for reference purposes only and are subject to change without notice. Specifications are subject to change without notice.

Consult TE for the latest dimensions and design specifications.

© 2016 TE Connectivity Ltd. family of companies All Rights Reserved.

1-1773889-3 09/16 Original