

DEUTSCH AUTOSPORT ASDD 93-WAY CONNECTORS

HIGH DENSITY AND HIGH PERFORMANCE



DEUTSCH Autosport Double Density (ASDD) Series connectors from TE Connectivity (TE) have been developed to bring together high density and high performance, in line with racing teams using smaller wire sizes.

The ASDD connector range allows almost double the number of contacts to be packaged in the same shell as compared to the standard Autosport Series connectors.

APPLICATIONS

- Engine Control Units
- Gearbox Control Units
- Data Loggers
- General Data System Requirements

ENVIRONMENTAL / MECHANICAL

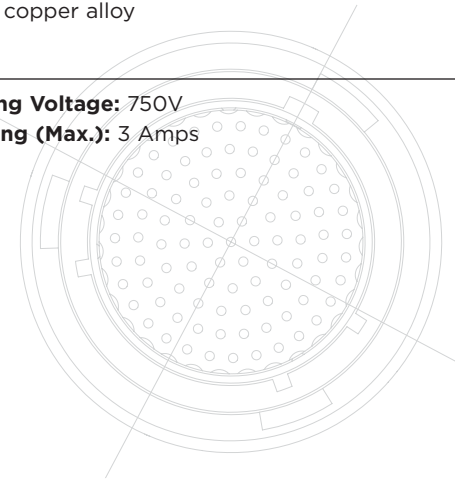
- **Operating Temperatures:** -55°C to +170°C
- **Durability:** 500 mating cycles

MATERIALS

- **Shell:** high strength aluminum alloy, black zinc finish
- **Insert:** thermoplastic
- **Seals:** fluorinated silicone
- **Contacts:** gold plated copper alloy

ELECTRICAL

- **Dielectric Withstanding Voltage:** 750V
- **Contacts Current Rating (Max.):** 3 Amps



HIGH DENSITY AND HIGH PERFORMANCE

- Allows for a saving of 2 shell sizes relative to standard Autosport planforms

- Very lightweight

- Almost double the number of contacts compared with the standard Autosport range equivalent shell size

- Integral screen

BUILT TO HELP WITHSTAND HARSH ENVIRONMENTS

- Conductive black zinc finish
- Interfacial wire sealing
- Bonded and sealed insert to help prevent moisture ingress

TE Components . . . TE Technology . . . TE Know-how . . .

AMP | Agastat | CII | Hartman | Kilovac | Microdot | Nanonics | Polamco | Raychem | Rochester | DEUTSCH SEACON Phoenix | L.L. Rowe | Phoenix Optix | AFP | SEACON

Get your product to market faster with a smarter, better solution.

LET'S CONNECT

We make it easy to connect with our experts and are ready to provide all the support you need. Just call your local support number or visit www.te.com/industrial to chat with a Product Information Specialist.

Technical Support

Email: autosport@te.com

Country	Technical Support Contact	TE's DEUTSCH Autosport Distribution Network	Contact
Asia Pacific	+86 0 400 820 6015	GR Motorsport Electrics PTY Ltd	+61 398 004900
Austria	+43 1 905 601 228	contact TE Technical Support	/
Baltic Region	+46 8 5072 5000	contact TE Technical Support	/
Benelux	+31 73 6246 999	contact TE Technical Support	/
Czech Republic	+420 800 701 462	contact TE Technical Support	/
France	+33 1 34 20 86 86	Davum TMC	+33 1483 68401
Germany	+49 6251 133 1999	contact TE Technical Support	/
Hungary	+36 809 874 04	contact TE Technical Support	/
Italy	+39 011 401 2632	AVIO Race S.r.L	+39 0597700253
Japan	contact DEUTSCH Distributor		
Nordic	+46 8 5072 5000	Global Active Technology	+81 42 945 1515
North America	+1 (800) 522 6752	contact TE Technical Support	/
		IS Motorsport Inc	+1 317 244 6643
		Cosworth Electronics Inc	+1 317 259 8900
Poland	+48 800 702 309	contact TE Technical Support	/
Russia	+7495 790 790 2	contact TE Technical Support	/
Spain/Portugal	+34 93-2910366	contact TE Technical Support	/
Switzerland	+41 52 633 66 26	contact TE Technical Support	/
United Kingdom	+44 800 267 666	Servo Interconnect Ltd	+44 (0) 1424 857 088

Follow us on Twitter for all the latest product news @TEConnectivity, and on Facebook, TEConnectivity.

te.com/autosport

DEUTSCH, Raychem, TE, TE Connectivity and the TE connectivity (logo) are trademarks of the TE Connectivity Ltd. family of companies. Other products, logos, and company names mentioned herein may be trademarks of their respective owners.

While TE has made every reasonable effort to ensure the accuracy of the information herein, nothing herein constitutes any guarantee that such information is error-free, or any other representation, warranty or guarantee that the information is accurate, correct, reliable or current. The TE entity issuing this publication reserves the right to make any adjustments to the information contained herein at any time without notice. All implied warranties regarding the information contained herein, including, but not limited to, any implied warranties of merchantability or fitness for a particular purpose are expressly disclaimed. The dimensions herein are for reference purposes only and are subject to change without notice. Specifications are subject to change without notice.

Consult TE for the latest dimensions and design specifications.

© 2016 TE Connectivity Ltd. family of companies All Rights Reserved.

1-1773886-3 08/16 Original



DEUTSCH AUTOSPORT ASDD 93-WAY CONNECTORS

HIGH DENSITY AND HIGH PERFORMANCE

Save Weight and Space with a Rugged Double-Density High-Pin-Count in Connector



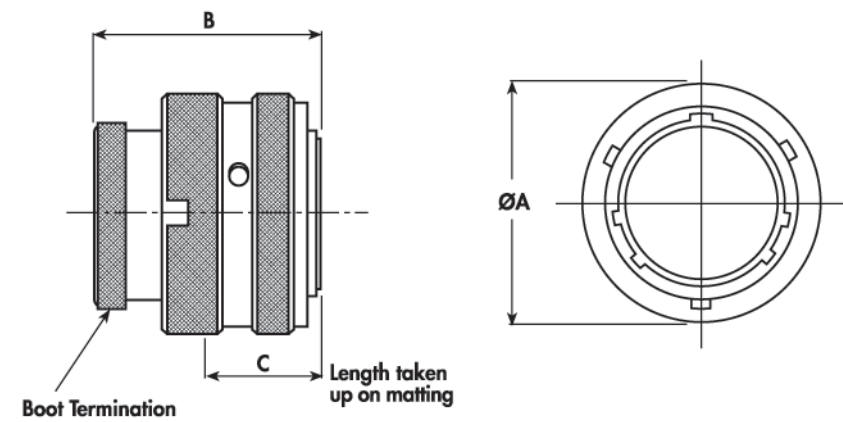
General Specifications

Connector	Contact Size	Shell Size	Max. Current (Amps)	Disability (Cycles of Engagements and Disengagements)	Dielectric Withstanding Voltage (VAC)	Number of Keyways Orientations	Wire Sealing (mm)		Temperature (°C)	
							Min.	Max.	Min.	Max.
16-93	24	16	3	500	750	6	0.56	1.02	-55	+170

Plug Connector

All dimensions are in mm unless otherwise stated.

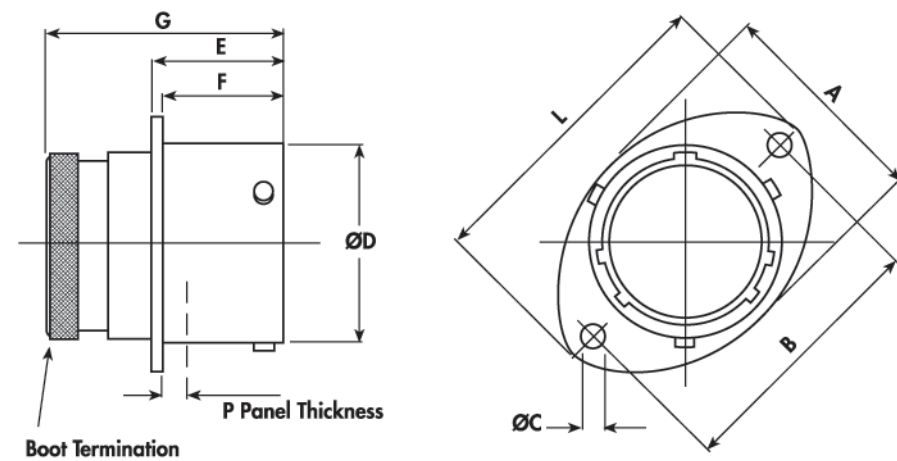
Shell Size	A Max.	B Max.	C Max.
16	31.50	33.50	15.00



Receptacle Connector Type 0

All dimensions are in mm unless otherwise stated.

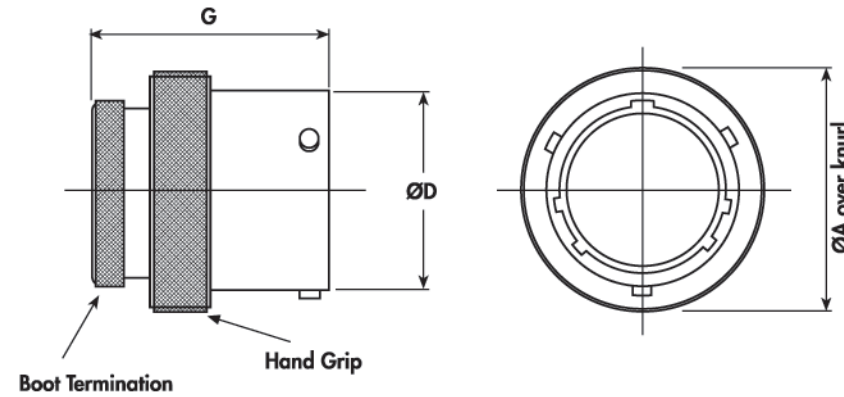
Shell Size	A Ref.	B ± 0.2	C ± 0.1 - 0	D +0 -0.13	E +0.15 -0	F +0 -0.13	G Max.	L Max.	P Max.
16	30.30	34.80	3.20	25.40	17.21	16.05	33.50	41.00	3.00



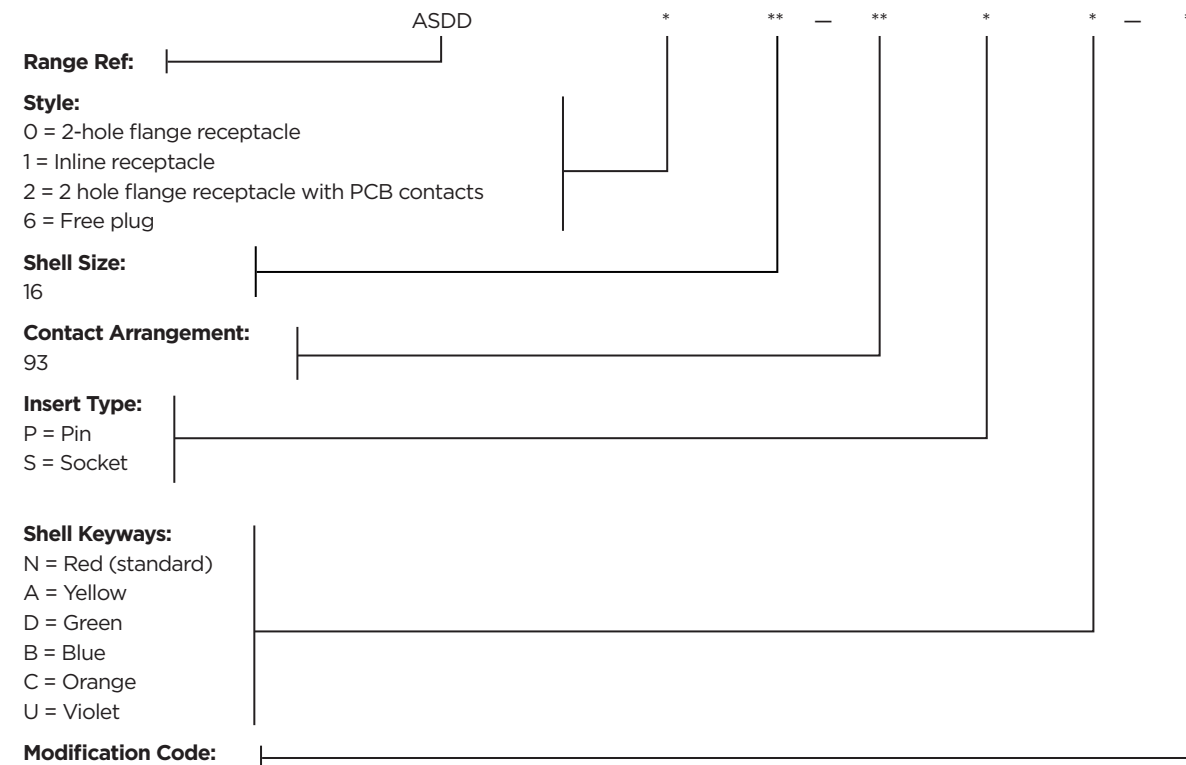
Receptacle Connector Type 1 Inline

All dimensions are in mm unless otherwise stated.

Shell Size	A Max.	D +0 -0.13	G Max.
16	31.50	25.40	33.50



Ordering Information



Contact Types

Contact Size	Part No.	P/S	Wire Range	Colour Band	Max. Current	Crimp Tool	Positioner	Plastic Tool Insert / Removal
Size 24	605719-31	P	24-30	None	3 Amps	M22520/2-01	610286	P
	605721	S					610287	S

Contacts and Tooling Part Numbers

Connector	Socket	Pin	PCB Socket	PCB Pin	Ins / Ext Tool	Socket Positioner	Pin Positioner
16-93	605721	605719-31	PCB versions are ordered with AS2 prefixes and come with contacts.		605837	610287	610286

Boot Information

Shell Size	Straight Boot	90 Degree Boot
	Raychem	Raychem
16	202K153	222K152

Accessories

Shell Size	Nut Plate	Gasket	Plug / Receptacle	Protective Cap
16	ATM396-16	GV-16	Plug Receptacle	AS8-16 AS9-16

Wire Sizes and Dimensions

Contact Size	Wire Size (AWG)	Finished Wire Dimensions			
		Conductor		Insulation	
		Min.	Max.	Min.	Max.
24	30,26,28,24	0.254mm 0.010in	0.511mm 0.02in	0.56mm 0.22in	1.02mm 0.040in

Filler Plugs

Contact Size	Part Number
24	600300-24

Panel Cut-Out Detail

All dimensions are in mm unless otherwise stated.

Shell Size	A ±0.10	B ±0.20	C ±0.20
16	28.20	34.80	3.20

