

# CORCOM FILTERS - BCFXR

TE Connectivity (TE)'s new addition to the BCF family, BCFxR series addresses with the leakage current requirements of system level standards, such as IEC950 and IEC601. The reduced leakage current will eliminate nuisance tripping of Residual Current Breakers and Ground Fault Interrupt Circuit Breakers. In addition, these low leakage current, low-weight, 3-phase Delta EMI filters come with either screw terminals (BCF6R) or touch safe terminals (BCF10R). These filters are used to reduce noise emissions typically associated with variable speed motors used in process automation equipment, elevators and alternative energy applications.

## Applications

- 3-phase inverters & converters
- Variable speed motor drives
- Process automation equipment
- Elevators & escalators
- Machine tools

## Electrical

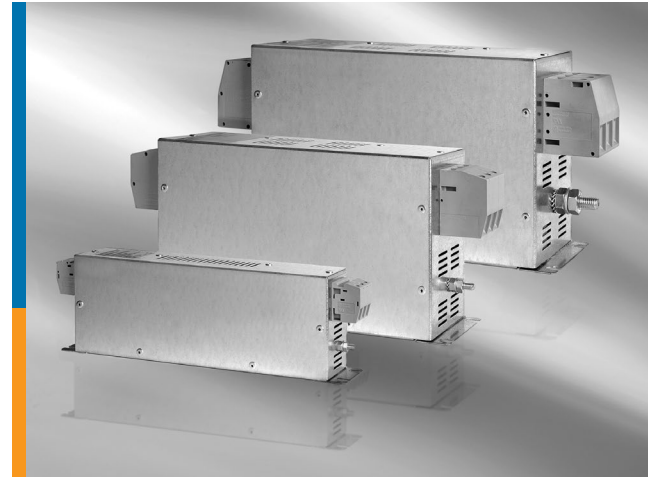
- **Current Rating:** 7 to 180A
- **Voltage Rating:** Phase to Phase: 480 VAC  
Phase to Ground: 277 VAC
- **Operating Frequency:** 50/60 Hz
- **Operating Temperature:** -10°C to +50°C

## Mechanical

- Screw mounting (flange)
- Touch safe terminals (BCF10R)
- Threaded bolts (BCF6R)

## Product Specifications

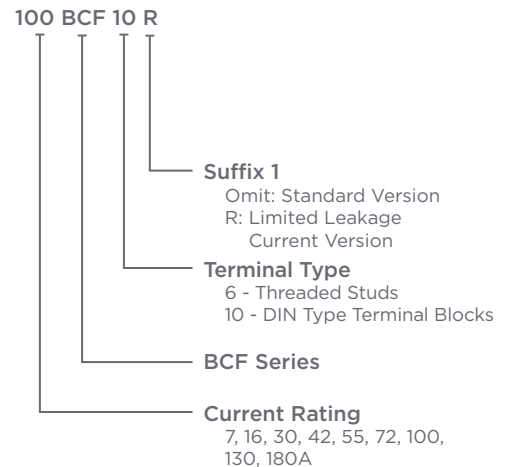
- UL, CSA & VDE



## Benefits

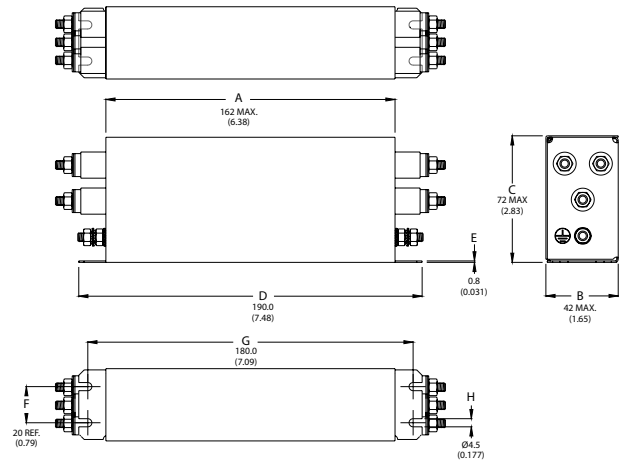
- Help save space with a compact, light-weight book-form design
- Provide an easy connection and prevent inadvertent contact with touch safe terminals (BCF10R)
- Provide an easy connection to ring terminals with threaded bolts (BCF6R)
- Prevent nuisance tripping of Residual current- and Ground Fault Interrupt Circuit Breakers by significantly reduced leakage current

## Ordering Information

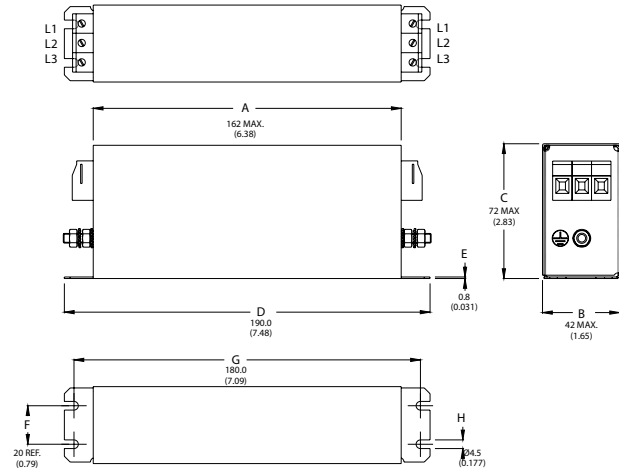


Dimensions

7BCF6R



7BCF10R



Part Number	Description	A	B	C	D	E	F	G	H
<a href="#">2-1609989-0</a>	7BCF10R=F8232E	162 MAX (6.38)	42 MAX (1.65)	72 MAX (2.83)	190.0 (7.48)	0.8 (0.031)	20 REF. (0.79)	180.0 (7.09)	Ø4.5 (0.177)
<a href="#">2-1609989-1</a>	16BCF10R=F8233E	222 MAX (8.74)	47 MAX (1.85)	72 MAX (2.83)	250 (9.84)	0.8 (0.031)	25 (0.98)	235 (9.25)	Ø5.4 (0.213)
<a href="#">2-1609989-2</a>	30BCF10R=F8234E	242 MAX (9.53)	52 MAX (2.05)	87 MAX (3.43)	270 (10.630)	0.8 (0.031)	30 (1.18)	255 (10.04)	Ø5.4 (0.213)
<a href="#">2-1609989-3</a>	42BCF10R=F8235E	282 MAX (11.10)	52 MAX (2.05)	87 MAX (3.43)	310 (12.205)	0.8 (0.031)	30 (1.18)	295 (11.61)	Ø5.4 (0.213)
<a href="#">2-1609989-4</a>	55BCF10R=F8236E	222 MAX (8.74)	87 MAX (3.43)	92 MAX (3.62)	250 (9.84)	1 (0.039)	60 (2.362)	235 (9.252)	Ø5.4 (0.213)
<a href="#">2-1609989-5</a>	75BCF10R=F8237E	242 MAX (9.53)	82 MAX (3.22)	137 MAX (5.39)	270 (10.63)	1 (0.039)	60 (2.36)	255 (10.04)	Ø6.5 (0.26)
<a href="#">2-1609989-6</a>	100BCF10R=F8238E	242 MAX (9.53)	92 MAX (3.62)	152 MAX (5.98)	270 (10.63)	1 (0.039)	65 (2.56)	255 (10.04)	Ø6.50 (0.256)
<a href="#">2-1609989-7</a>	130BCF10R=F8239E	242 MAX (9.53)	92 MAX (3.62)	152 MAX (5.98)	270 (10.63)	1 (0.039)	65 (2.56)	255 (10.04)	Ø6.5 (0.26)
<a href="#">2-1609989-8</a>	180BCF10R=F8240E	352 MAX (13.86)	122 MAX (4.80)	172 MAX (6.77)	380 (14.96)	1 (0.039)	102 (4.02)	365 (14.37)	Ø6.5 (0.256)
<a href="#">3-1609989-0</a>	7BCF6R=F8232F	162 MAX (6.38)	42 MAX (1.65)	72 MAX (2.83)	190.0 (7.48)	0.8 (0.031)	20 (0.79)	180.0 (7.09)	Ø4.5 (0.177)
<a href="#">3-1609989-1</a>	16BCF6R=F8233F	222 MAX (8.74)	47 MAX (1.85)	72 MAX (2.83)	250 (9.84)	0.8 (0.031)	25 (0.98)	235 (9.25)	Ø5.4 (0.21)
<a href="#">3-1609989-2</a>	30BCF6R=F8234F	241 MAX (9.488)	52 MAX (2.05)	87 MAX (3.43)	271 (10.67)	0.8 (0.031)	30 (1.18)	255 (10.04)	Ø5.4 (0.213)
<a href="#">3-1609989-3</a>	42BCF6R=F8235F	282 MAX (11.10)	52 MAX (2.05)	87 MAX (3.43)	310 (12.205)	0.8 (0.031)	30 (1.18)	295 (11.61)	Ø5.4 (0.213)
<a href="#">3-1609989-4</a>	55BCF6R=F8236F	222 MAX (8.74)	87 MAX (3.43)	92 MAX (3.62)	250 (9.84)	1 (0.039)	60 (2.362)	235 (9.252)	Ø5.4 (0.213)
<a href="#">3-1609989-5</a>	75BCF6R=F8237F	242 MAX (9.53)	82 MAX (3.22)	137 MAX (5.39)	270 (10.63)	1 (0.039)	60 (2.35)	255 (10.04)	Ø6.5 (0.26)
<a href="#">3-1609989-6</a>	100BCF6R=F8238F	241 MAX (9.48)	92 MAX (3.62)	152 MAX (5.98)	270 (10.63)	1 (0.039)	65 (2.56)	255 (10.04)	Ø6.50 (0.256)
<a href="#">3-1609989-7</a>	130BCF6R=F8239F	241 MAX (9.48)	92 MAX (3.62)	152 MAX (5.98)	270 (10.63)	1 (0.039)	65 (2.56)	255 (10.04)	Ø6.5 (0.26)
<a href="#">3-1609989-8</a>	180BCF6R=F8240F	352 MAX (13.86)	122 MAX (4.80)	172 MAX (6.77)	380 (14.96)	1 (0.039)	102 (4.02)	365 (14.37)	Ø6.5 (0.26)

Note: Dimensions in mm (inches)

te.com

© 2017 TE Connectivity. All Rights Reserved. TE, TE Connectivity, and the TE connectivity (logo) are trademarks of the TE Connectivity Ltd. family of companies. Other logos, product and Company names mentioned herein may be trademarks of their respective owners.

While TE has made every reasonable effort to ensure the accuracy of the information in this brochure, TE does not guarantee that it is error-free, nor does TE make any other representation, warranty or guarantee that the information is accurate, correct, reliable or current. TE reserves the right to make any adjustments to the information contained herein at any time without notice. TE expressly disclaims all implied warranties regarding the information contained herein, including, but not limited to, any implied warranties of merchantability or fitness for a particular purpose. The dimensions in this catalog are for reference purposes only and are subject to change without notice. Specifications are subject to change without notice. Consult TE for the latest dimensions and design specifications.

1-1773875-8 JN 02/2016

USA: +1 (800) 522-6752  
 Canada: +1 (905) 475-6222  
 Mexico: +52 (0) 55-1106-0800  
 Latin/S. America: +54 (0) 11-4733-2200  
 Germany: +49 (0) 6251-133-1999  
 UK: +44 (0) 800-267666  
 France: +33 (0) 1-3420-8686  
 The Netherlands: +31 (0) 73-6246-999  
 China: +86 (0) 400-820-6015