

Introducing Solderless LED Socket, Type NL2

The TE Solderless LED Socket, type NL2 is a quick termination connector system for the use with the Nichia COB-L series LED. The one piece connector assembly features the TE poke-in wire termination to wire types ranging from 18-22 AWG wire. Termination to the COB-L LED is simplified with locating features that position the LED into the socket, during the assembly process.

KEY FEATURES

- Solderless Termination to Nichia COB-L series LED
- Poke-in wire terminals accept the following:
 - 18 - 22 AWG solid wires
 - 18 - 20 AWG pre-bond wires
 - 18 AWG stranded wire
- LED retained in housing with slight press-fit (LED not included)
- UV resistant housing material
- Two screw attachment using M3 or #4 screws
- Molded polarity indicator on housing
- RoHS compliant

APPLICATIONS

- Retail Lighting
- Commercial down lights
- High bay lighting

MECHANICAL

- -25°C to 105°C continuous operating temperature
- Envelope dimensions 44,1 mm x 28 mm
- Mating cycles:
 - 1 mating cycle for wire poke-in
 - 5 mating cycles for LED termination
- Alignment pins use same hole size as mounting screws
- Accepts 18 - 22 AWG (please see chart)

Wire Range AWG.No	Insulation Diameter (mm)	Wire Type
18	Ø 1.5mm – Ø 2.1mm	Solid, Stranded, Prebond
20	Ø 1.5mm – Ø 2.1mm	Solid, Prebond
22	Ø 1.5mm – Ø 2.1mm	Solid

ELECTRICAL

- Current rating: 2A MAX
- Voltage rating: 100VDC
- Dielectric Withstand Voltage: 1500VAC

MATERIALS

- Terminals: LED contact area is Gold over Nickel
- Housing: UL94V-0 rated high temperature thermoplastic, UV FI resistant

STANDARDS AND SPECIFICATIONS

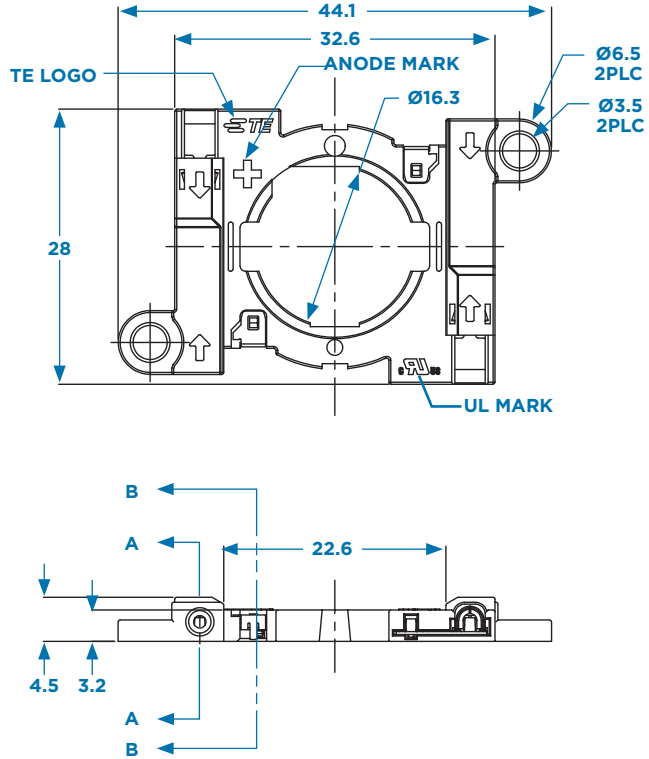
- Application specification # - 114-5491
- Product specification # - 108-78865
- Customer Drawing # - 2174024

te.com/lighting



PRODUCT OFFERING

2174024-1: Solderless LED Socket, type NL2



Envelope dimension 44,1 mm x 28 mm

Light Emitting Surface (LES) diameter up to 16,3 mm

While TE has made every reasonable effort to ensure the accuracy of the information in this brochure, TE does not guarantee that it is error-free, nor does TE make any other representation, warranty or guarantee that the information is accurate, correct, reliable or current. TE reserves the right to make any adjustments to the information contained herein at any time without notice. TE expressly disclaims all implied warranties regarding the information contained herein, including, but not limited to, any implied warranties of merchantability or fitness for a particular purpose. The dimensions in this catalog are for reference purposes only and are subject to change without notice. Specifications are subject to change without notice. Consult TE for the latest dimensions and design specifications.

te.com/lighting

