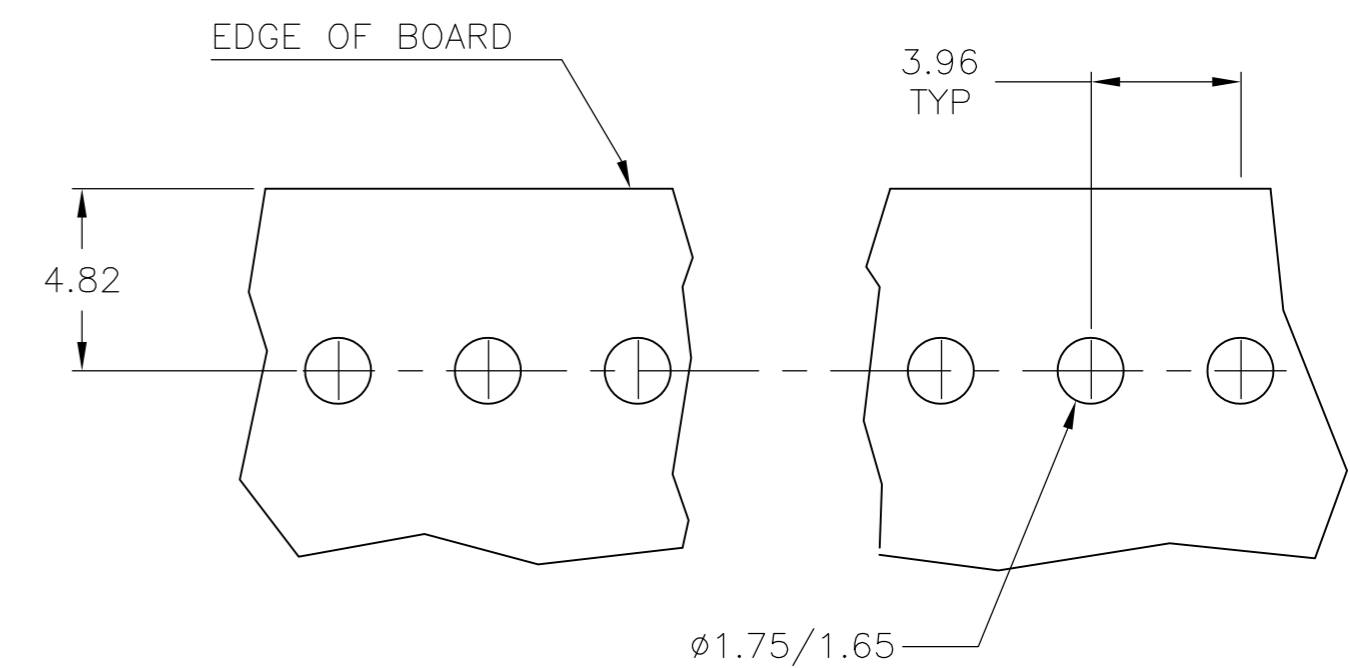
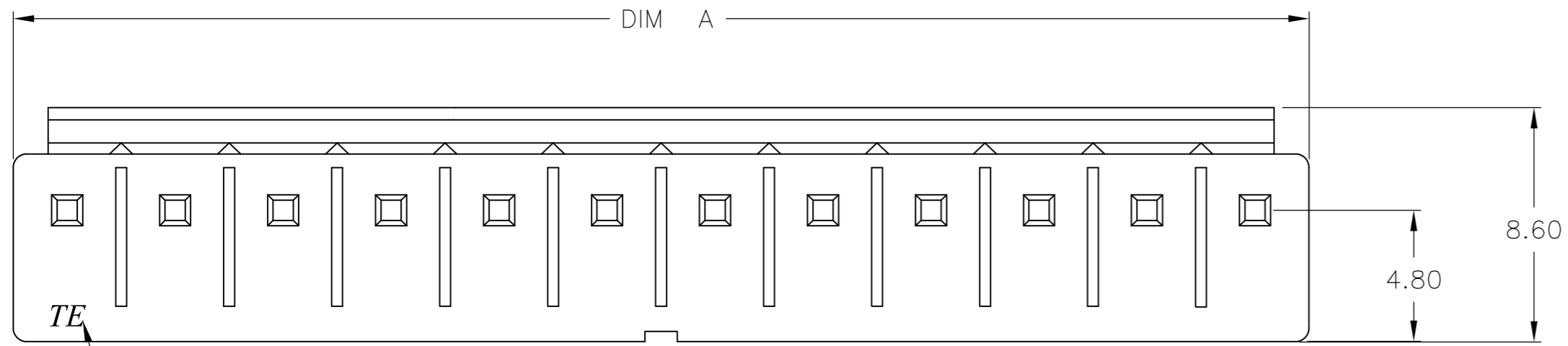
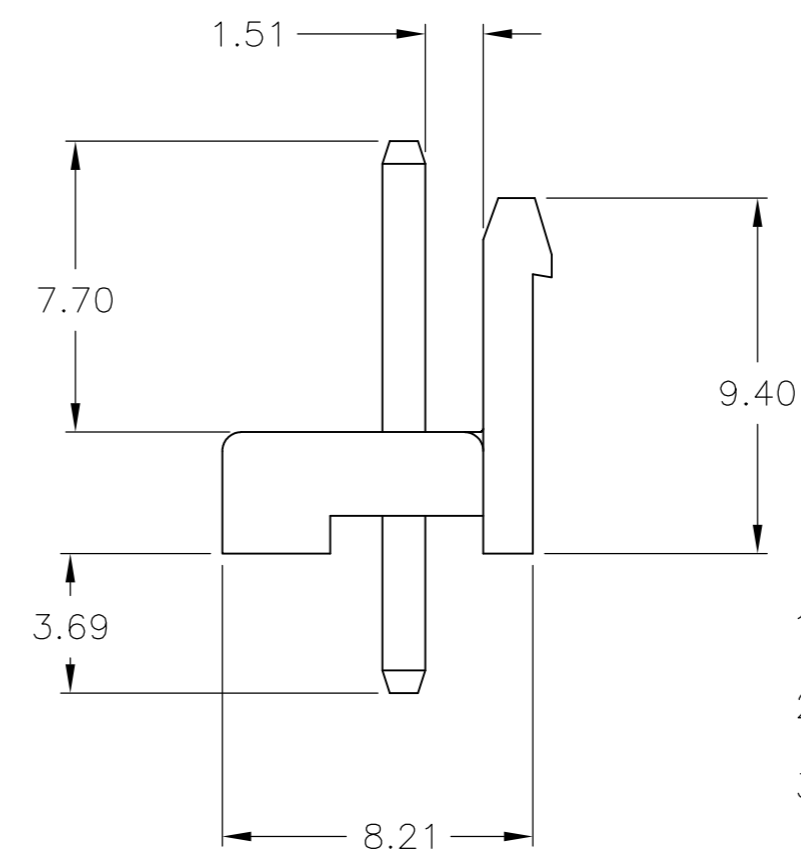
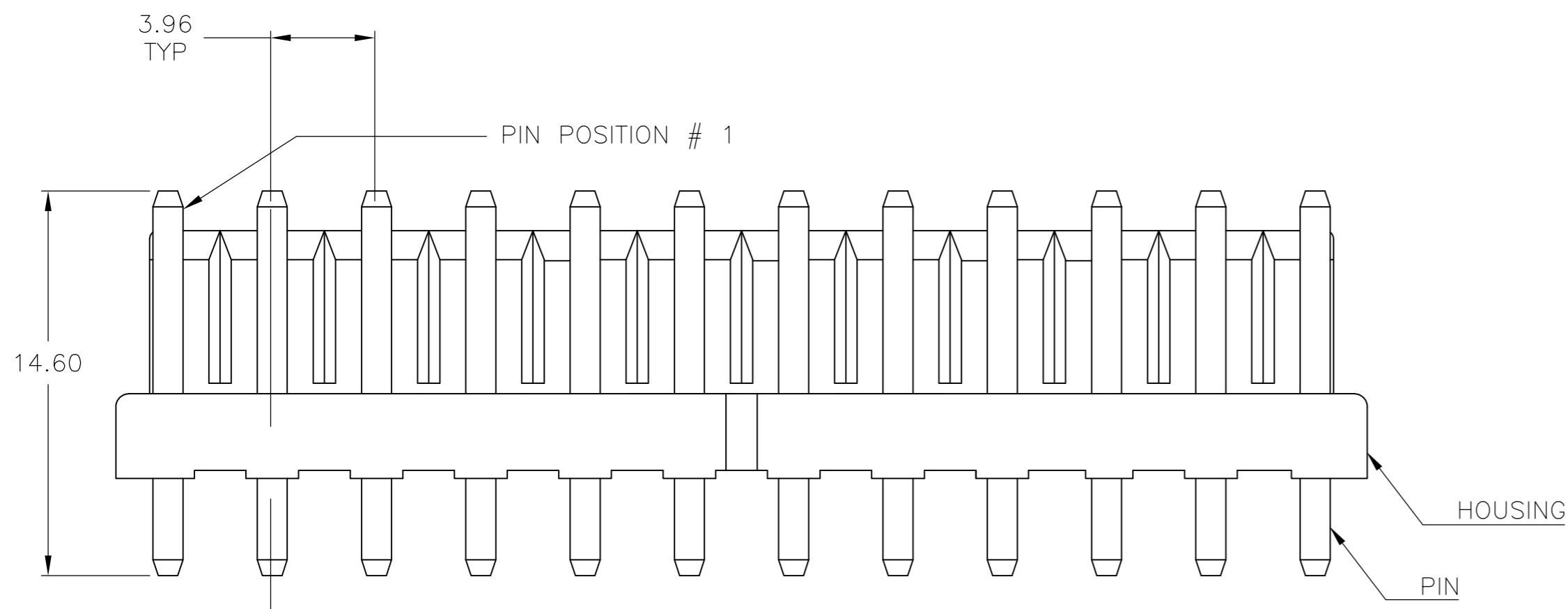


THIS DRAWING IS UNPUBLISHED. RELEASED FOR PUBLICATION
 © COPYRIGHT By - ALL RIGHTS RESERVED.

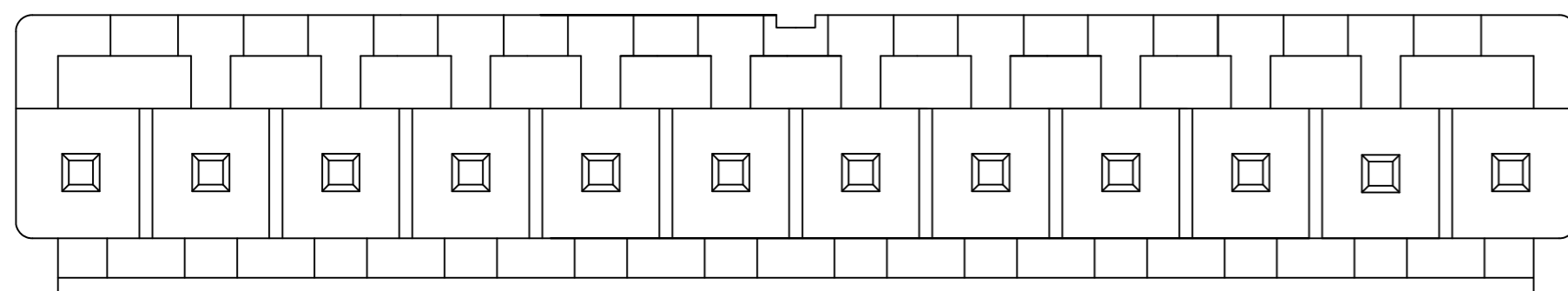
| LOC | | DIST | | REVISIONS | | | |
|-----|-----|-------------|---------------------------|-----------|---------|------|-----|
| P | LTR | DESCRIPTION | | DATE | DWN | APVD | |
| GP | 00 | D2 | REVISED PER ECR-15-000133 | | 15JAN15 | O.C | D.Z |



RECOMMENDED MOUNTING HOLE PATTERN FOR 1.60 THICK PC BOARD



- HOUSING MATERIAL: NYLON, UL94 V0.
- PIN MATERIAL: BRASS.
- PIN PLATING: 0.0030 MIN TIN OVER 0.0010 NICKEL.
- COMPLY WITH GLOW WIRE REQUIREMENTS FOR PARTS OF NON-METALLIC MATERIAL SUPPORTING A CURRENT-CARRYING CONNECTION DETAILED IN IEC 60335-1, SECTION 30 (GWT).



1-1744489-2 SHOWN
 SEE THE TABLE FOR PART NUMBER INFORMATION

| 12 | NATURAL | 47.52±0.30 | 1-1744489-2 |
|------------------|---------|------------|-------------|
| 11 | NATURAL | 43.56±0.30 | 1-1744489-1 |
| 10 | NATURAL | 39.60±0.30 | 1-1744489-0 |
| NO. OF POSITIONS | COLOR | DIM A | PART NUMBER |

| | | | | |
|--|--|-----------------------------------|--|--------------------|
| THIS DRAWING IS A CONTROLLED DOCUMENT. | | DWN B WAYNE 10NOV14 | | |
| DIMENSIONS: mm | | CHK TOM MICHELUTTI 10NOV14 | | |
| TOLERANCES UNLESS OTHERWISE SPECIFIED: | | APVD TOM MICHELUTTI 10NOV14 | NAME HEADER ASSEMBLY-ECONOMY POWER VERTICAL | |
| 0 PLC ± 1 PLC ± 0.5 2 PLC ± 0.30 3 PLC ± - 4 PLC ± ANGLES ± FINISH ± | | PRODUCT SPEC 108-5609 | SIZE A2 | CAGE CODE 00779 |
| MATERIAL SEE NOTES | | APPLICATION SPEC | DRAWING NO 1-1744489-2 | RESTRICTED TO - |
| | | WEIGHT | SCALE N/A | SHEET 1 of 1 |
| | | CUSTOMER DRAWING | REV D2 | |