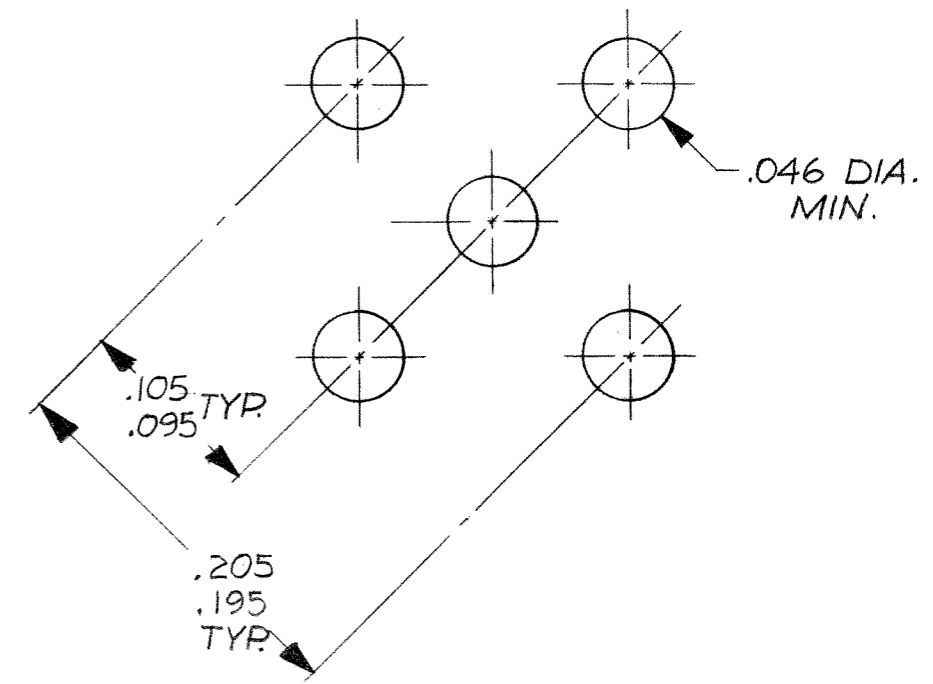
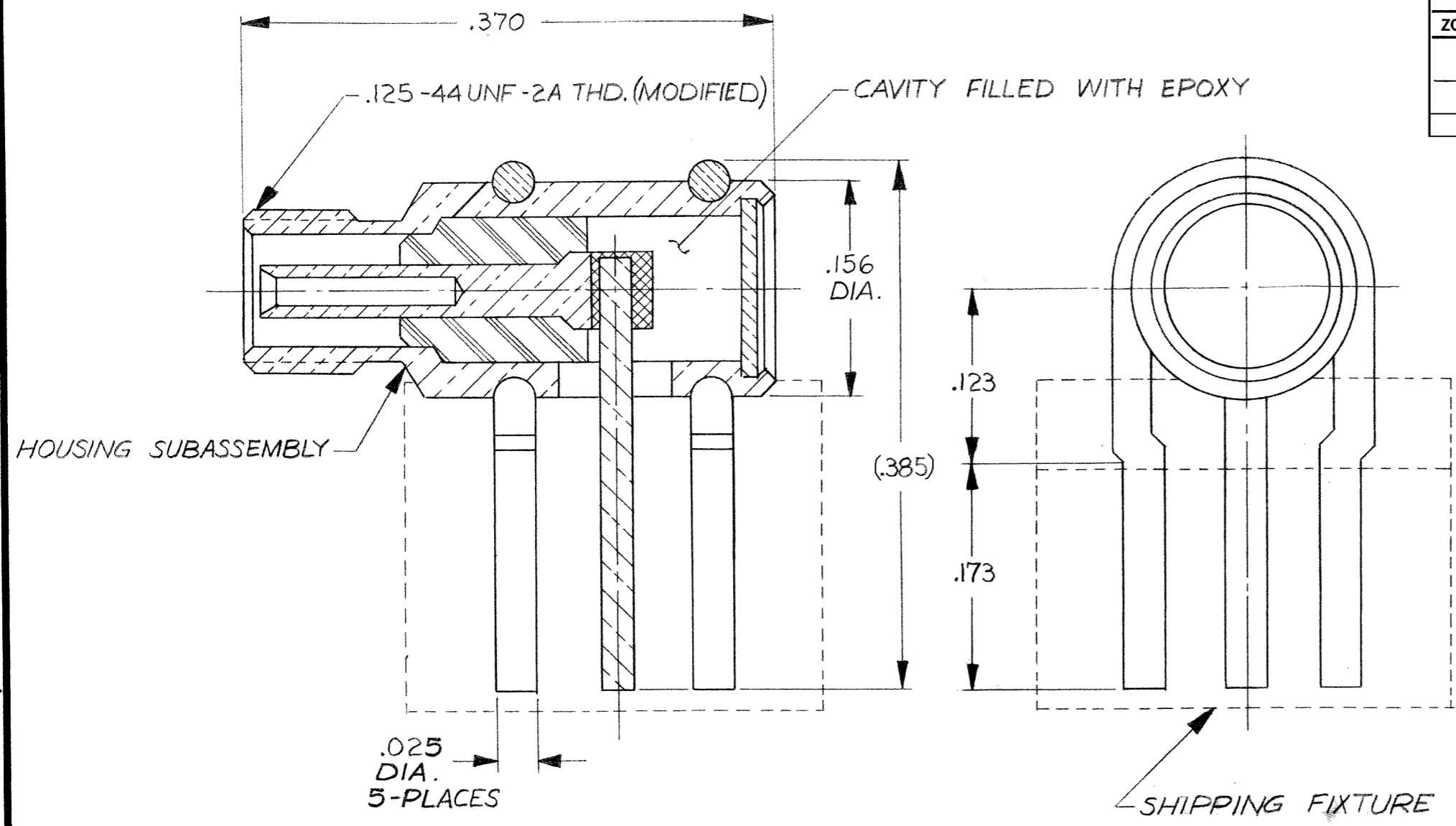


REVISIONS

ZONE	LTR	ECN	DESCRIPTION	DATE	APPROVED
	C	25197	REV. & REDRAWN. ORIGINAL 18-4-80 RELEASE 26-8-69 BY B.T. & G.K.	3/2/81	MD
	D	38538	REVISION UPDATE	1/29/99	Es
	D1	43882	UPDATE PER ECO-09-007946	3/30/09	JDM



NOTES: UNLESS OTHERWISE SPECIFIED

- MATES WITH ALL LEPRO/CON SCREW-ON SERIES PLUGS AS LISTED IN MALCO CATALOG.
- ALL METAL PARTS ARE GOLD PLATED PER MIL-G-45204, TYPE II, GRADE C, CLASS I.
- FOR COMPONENT PARTS, SEE PARTS LIST.

UNLESS OTHERWISE SPECIFIED DIMENSIONS ARE IN INCHES TOLERANCES ARE: FRACTIONS DECIMALS ANGLES ± .XX ± ± .XXX ± .015		CONTRACT NO.		<b>MALCO</b> A MICRODOT COMPANY, INC. 306 PASADENA AVE., SO. PASADENA, CALIF. 91030	PROD. CODE <b>946</b> CODE CDM
MATERIAL		APPROVALS			
FINISH		DATE		RECEPTACLE, SCREW-ON	
NEXT ASSY		DRAWN <i>Costel Bonum</i> 2-4-81		PRINTED CIRCUIT, RIGHT ANGLE	
USED ON		CHECKED <i>Effman</i> 2/13/81		MICRODOT P/N 141-0010-0001	
APPLICATION		PR. ENG. <i>Rutledge</i> 3-		SIZE	CODE IDENT NO.
DO NOT SCALE DRAWING		APPROVED		<b>B</b>	<b>98278</b>
		These drawings and specifications are the property of Microdot Inc., are issued in strict confidence and shall not be divulged, be reproduced or copied, or used as the basis for the manufacture or sale of any article without written permission of Microdot Inc.		DRAWING NO.	
		SCALE ~		<b>1-1532006-4</b>	
		SHEET		OF	