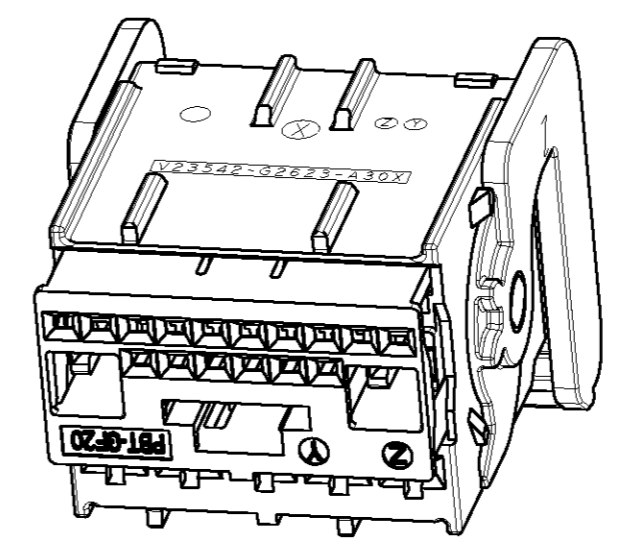
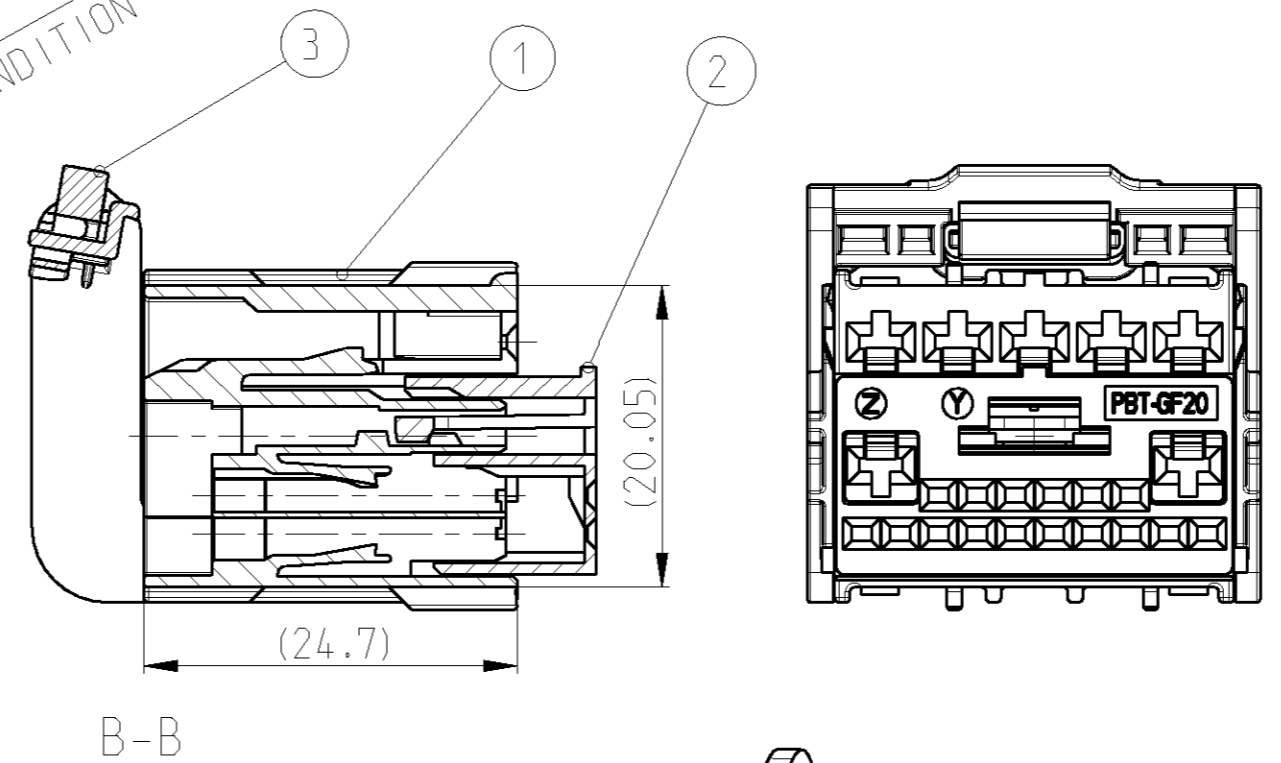
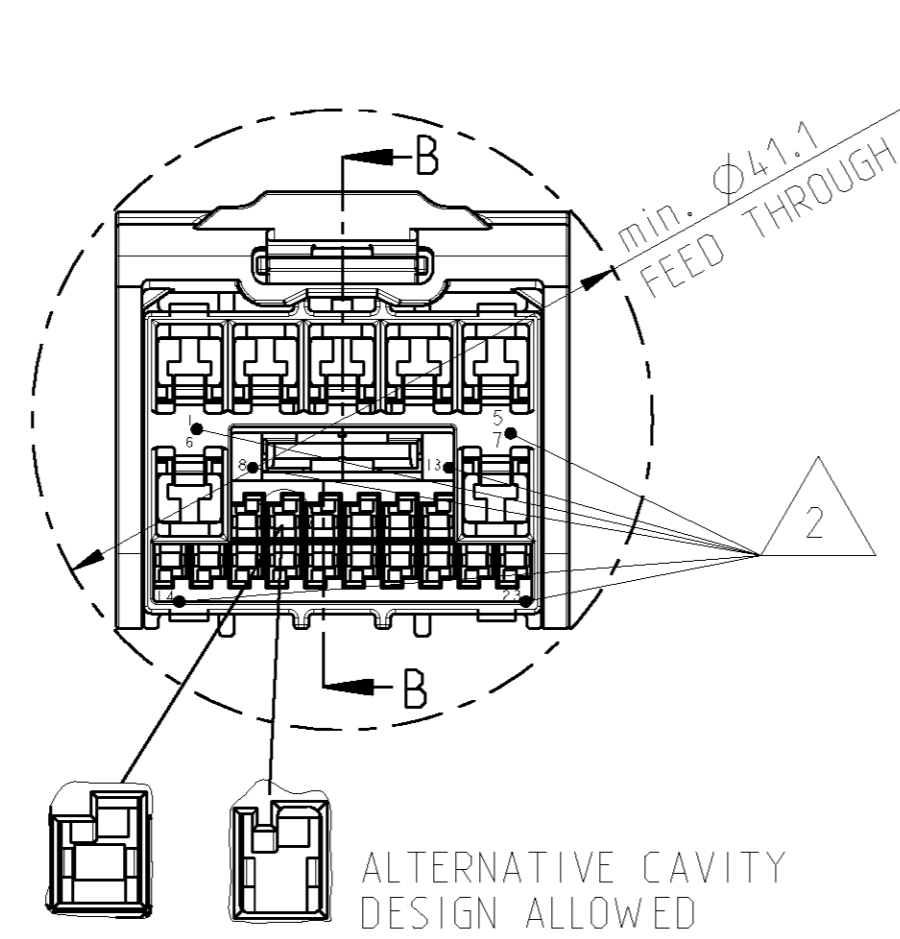
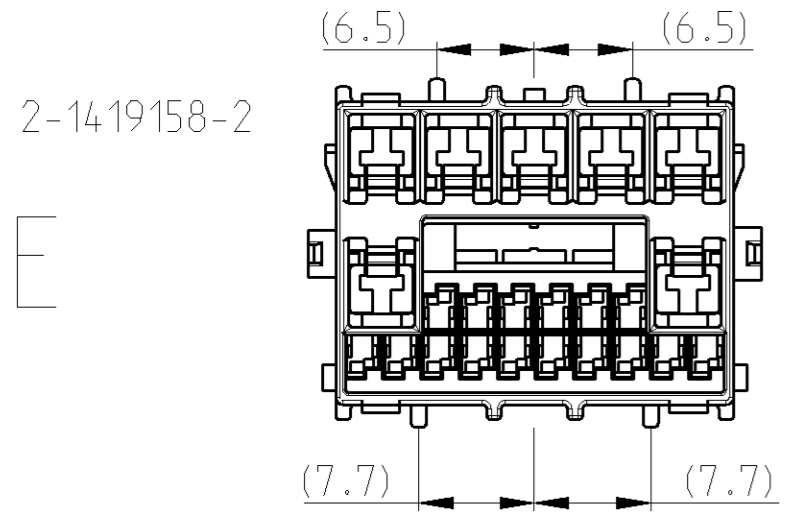
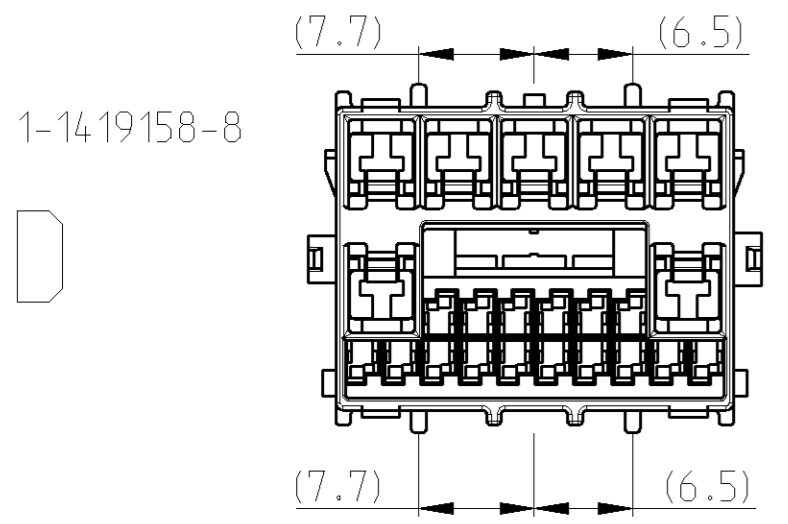
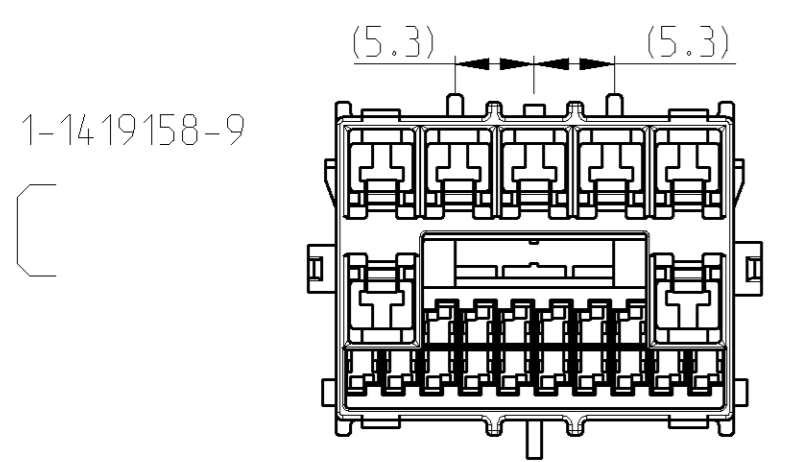
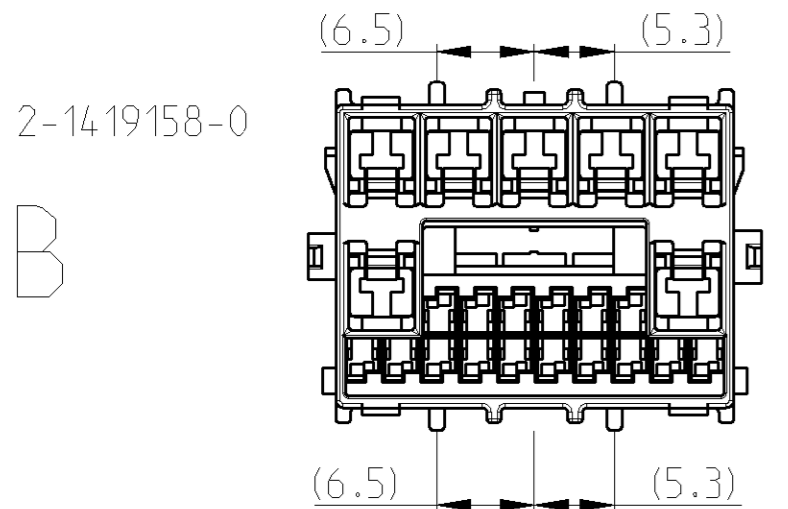
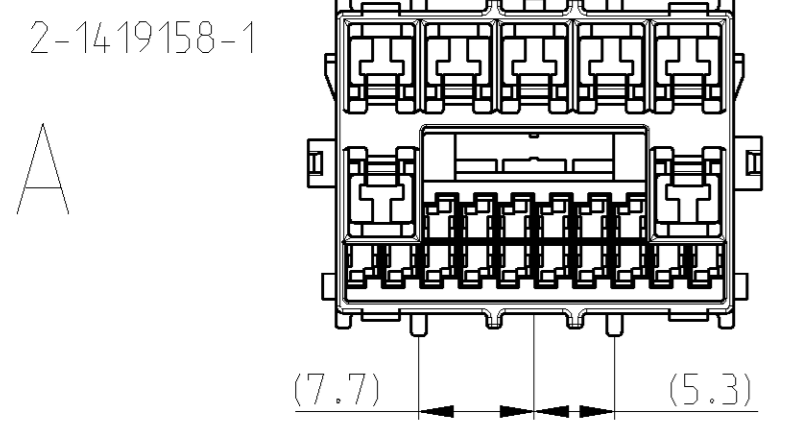


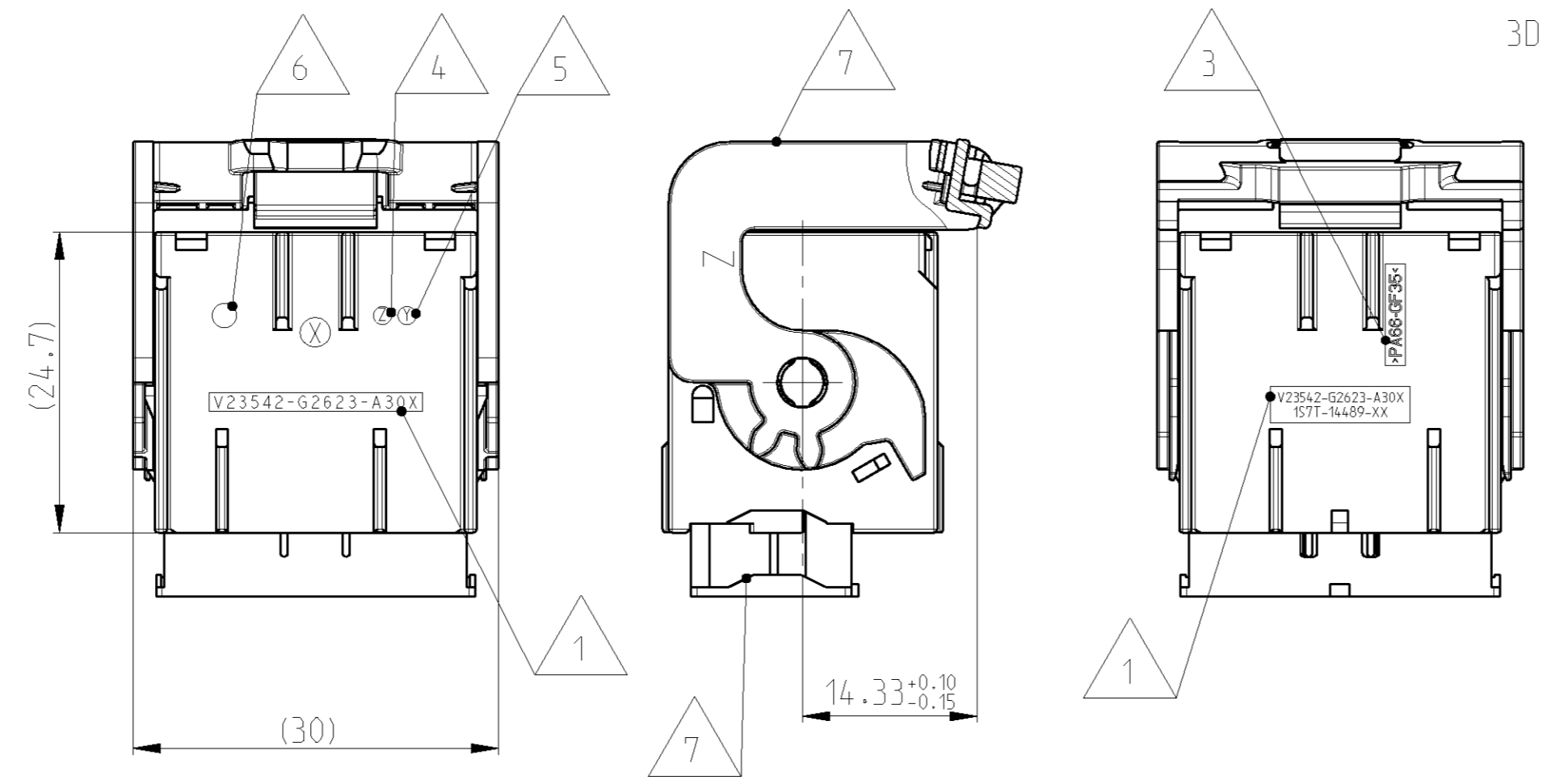
THIS DRAWING IS UNPUBLISHED. RELEASED FOR PUBLICATION 2007
 © COPYRIGHT 2007 BY TYCO ELECTRONICS CORPORATION. ALL RIGHTS RESERVED.

REVISIONS					
P	LTR	DESCRIPTION	DATE	DWN	APVD
D		SEE ECR-07-013183	05JUN2007	HM	GS

KEYING OPTIONS
(SHOWN WITHOUT LEVER)



3D VIEW



NOTES

- Bemerkungen
- 1 TYCO-EC ORDER NUMBER
Tyco-EC Bestellnummer
 - 2 CAVITY MARKING
Kammernummerierung
 - 3 MATERIAL MARKING
Werkstoffkennzeichnung
 - 4 REVISIONS NUMBER
Werkzeugaenderungsindex
 - 5 TOOL CAVITY MARKING
Nestmarkierung
 - 6 PRODUCTION-DATE
Produktionsdatum
 - 7 LEVER AND SPACER IN PRESET POSITION
Hebel und Spacer in Vorraststellung
 - 8 PACKAGING: LAYER PACKAGING IN SHIPPING BOX
Verpackung: Lagenverpackung

COD	TE V- NUMBER	TYCO ELECTRONICS PN	ASSY DESCRIPTION	REV	QTY	DESCRIPTION	MATERIAL	SURFACE COLOR	ITEM NO
E	V23542-G2623-A305	2-1419158-2	23POS. GEM-FEMALE CONNECTOR	D	1	LEVER	PBT-GF20	YELLOW	3
					1	SPACER	PBT-GF20	RED	2
					1	SOCKET HOUSING	PA66-GF35	BROWN	1
D	V23542-G2623-A304	1-1419158-8	23POS. GEM-FEMALE CONNECTOR	D	1	LEVER	PBT-GF20	YELLOW	3
					1	SPACER	PBT-GF20	RED	2
					1	SOCKET HOUSING	PA66-GF35	NATURAL	1
C	V23542-G2623-A303	1-1419158-9	23POS. GEM-FEMALE CONNECTOR	D	1	LEVER	PBT-GF20	YELLOW	3
					1	SPACER	PBT-GF20	RED	2
					1	SOCKET HOUSING	PA66-GF35	BLUE	1
B	V23542-G2623-A302	2-1419158-0	23POS. GEM-FEMALE CONNECTOR	D	1	LEVER	PBT-GF20	YELLOW	3
					1	SPACER	PBT-GF20	RED	2
					1	SOCKET HOUSING	PA66-GF35	GREEN	1
A	V23542-G2623-A301	2-1419158-1	23POS. GEM-FEMALE CONNECTOR	D	1	LEVER	PBT-GF20	YELLOW	3
					1	SPACER	PBT-GF20	RED	2
					1	SOCKET HOUSING	PA66-GF35	GREY	1

THIS DRAWING IS A CONTROLLED DOCUMENT FOR TYCO ELECTRONICS CORPORATION. IT IS SUBJECT TO CHANGE AND THE CONTROLLING ENGINEERING ORGANIZATION SHOULD BE CONTACTED FOR THE LATEST REVISION.

DWN: H.Meinhardt 31.07.2007
 CHK: G.Steinbach 31.07.2007
 APVD: G.Steinbach 31.07.2007

TYCO ELECTRONICS
 Tyco Electronics AMP GmbH
 D-84825 Bensheim

NAME: 23 POS. GEM-FEMALE CONNECTOR, ASSY

SIZE: A2 CAGE CODE: 00779 DRAWING NO: 1-1419158-8 RESTRICTED TO: -

CUSTOMER DRAWING SCALE: 2:1 SHEET 1 OF 1 REV D