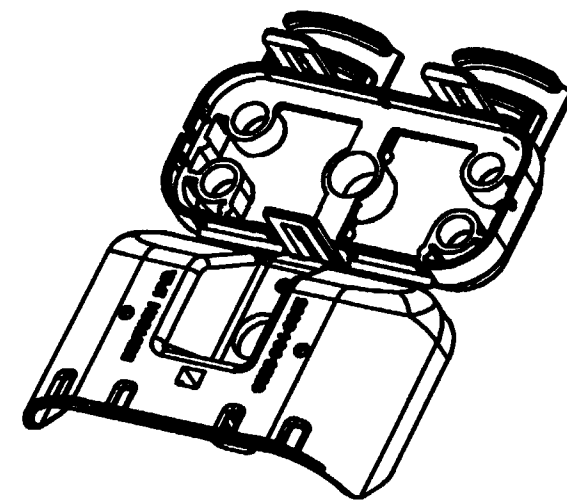
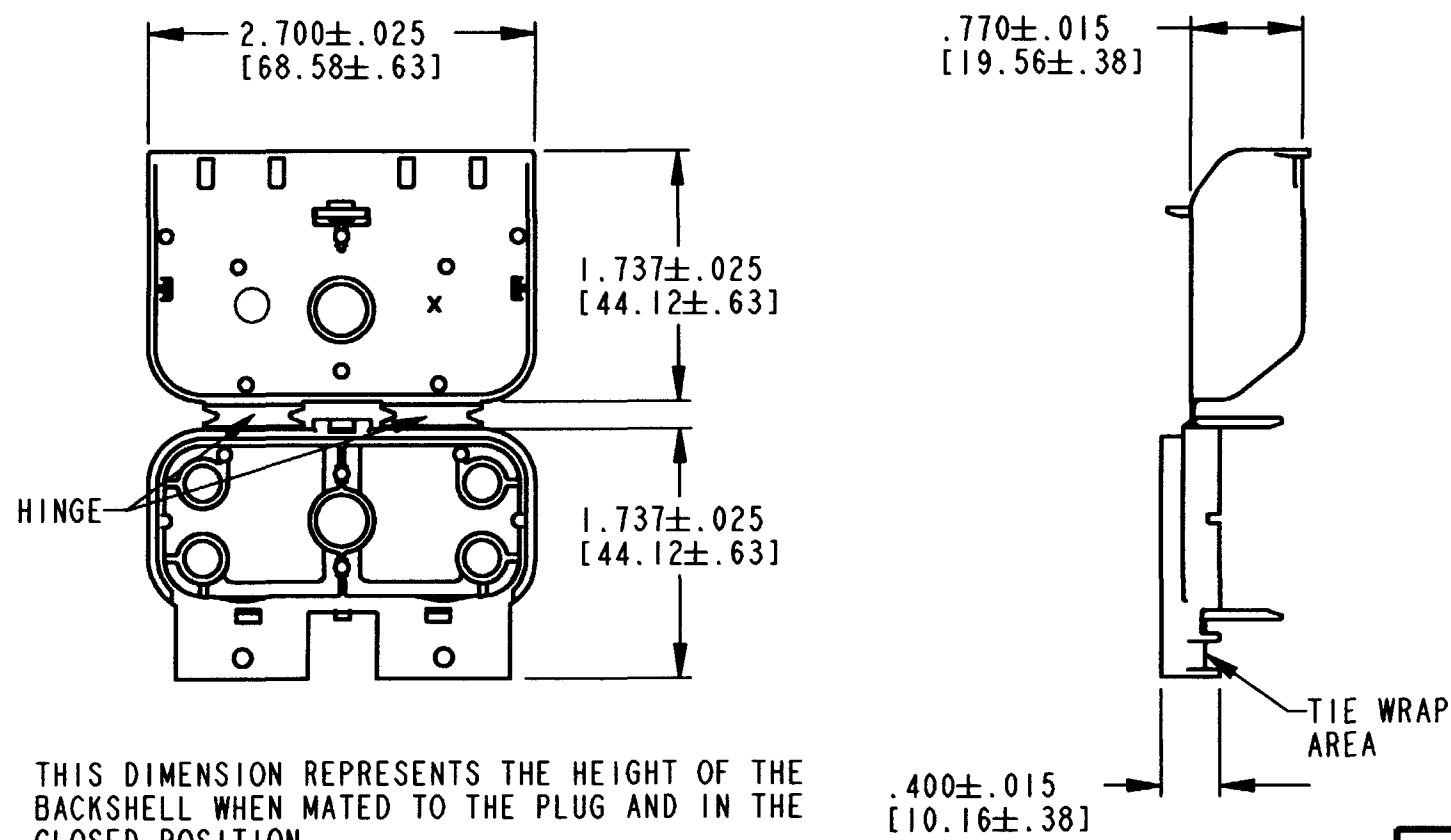
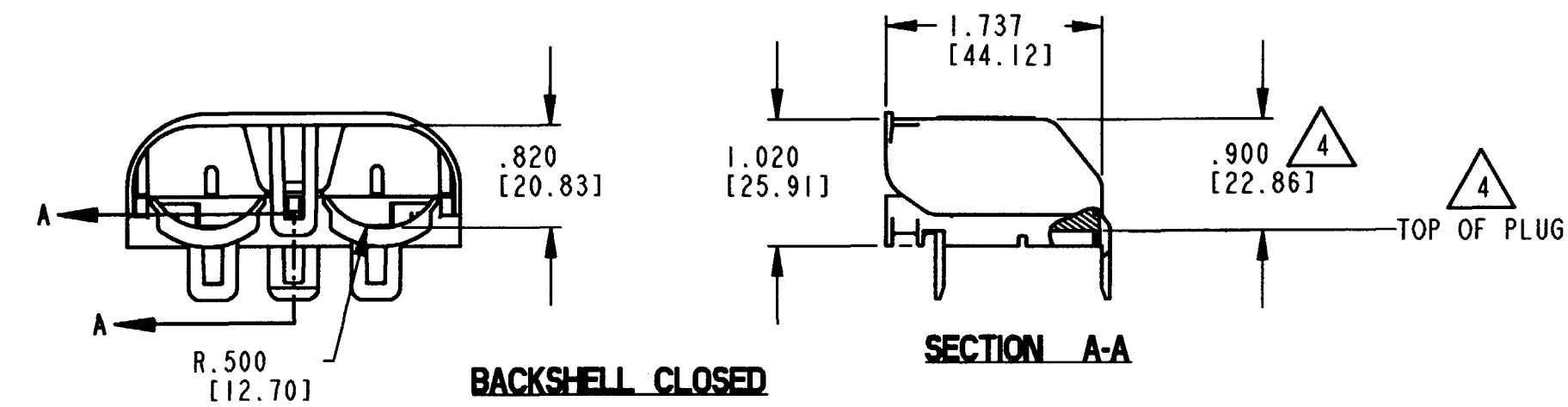
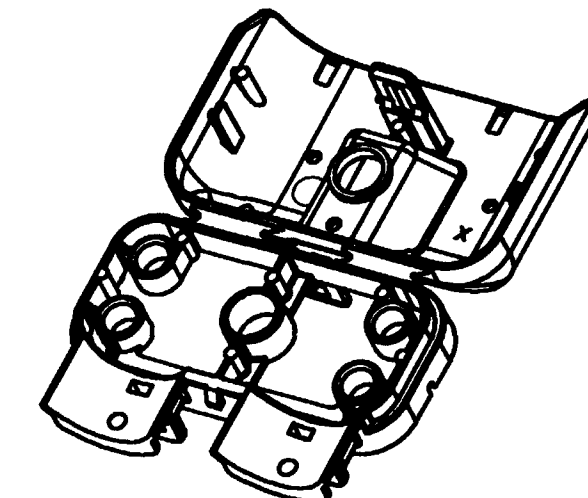


REV
A 0528-004-3805

REVISIONS			
SYM	DESCRIPTION	DATE	APPROVED
NC	NEW RELEASE PER E.O. P18217	6/23/03	C.W.
A	REVISED PER E.O. P18402	12/8/03	<i>[Signature]</i>



3D VIEWS



- NOTES:
1. ALL DIMENSIONS ARE IN INCHES [mm].
 2. DIMENSIONS WITHOUT TOLERANCE ARE FOR REFERENCE ONLY.
 3. THIS PART MATES WITH THE DRC26-38S01 THRU 10.
 4. THIS DIMENSION REPRESENTS THE HEIGHT OF THE BACKSHELL WHEN MATED TO THE PLUG AND IN THE CLOSED POSITION.

SIGNATURE & DATE	
DR	M. GONZALEZ 6/16/03
CHK	<i>[Signature]</i>
PE	<i>[Signature]</i> 12/8/03
APPD	<i>[Signature]</i> 12/8/03
SCALE	NONE WT

90° BACKSHELL FOR
38 PIN PLUG
DRC SERIES

ENVELOPE

CP	MATL. CODE
The Deutch Company	DEUTSCH I.P.D. 3850 INDUSTRIAL AVE. HEMET, CALIF. 92545
B	0528-004-3805
DWG SIZE	CODE 11139 SHEET OF