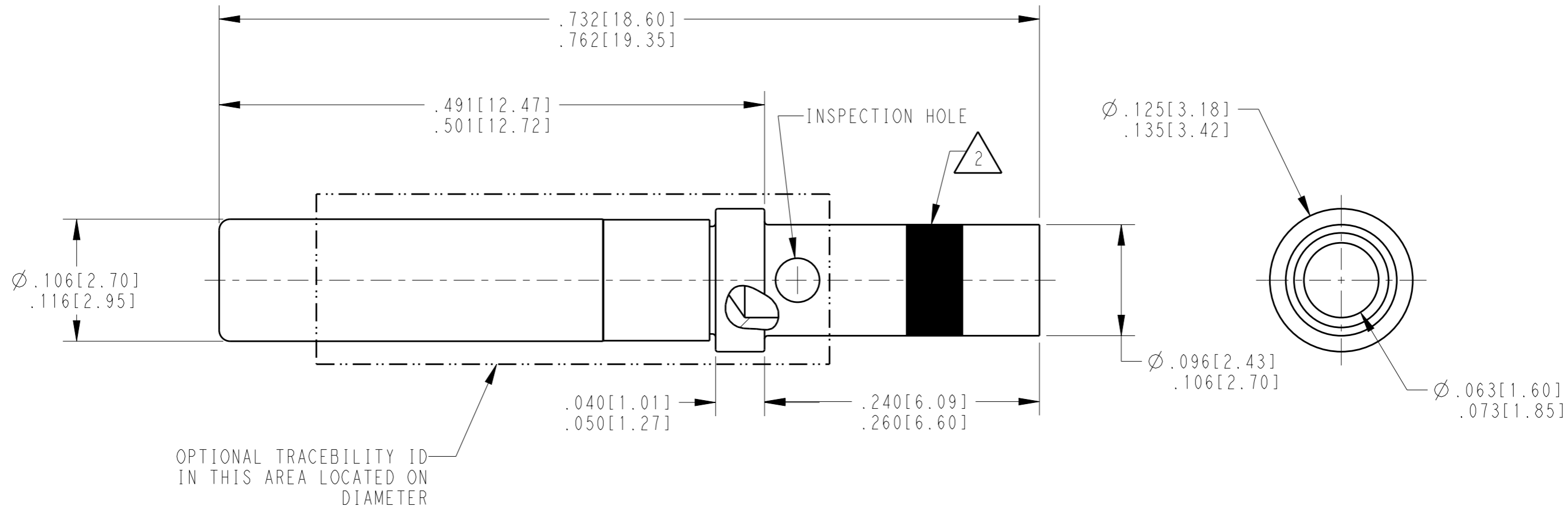


THIS DRAWING IS UNPUBLISHED
 RELEASED FOR PUBLICATION 2018
 © COPYRIGHT 2002 BY TE CONNECTIVITY ALL RIGHTS RESERVED.

| REVISIONS | | | | | |
|-----------|-----|-----------------------------|-----------|-----|------|
| P | LTR | DESCRIPTION | DATE | DWN | APVD |
| | NC | NEW RELEASE PER E.O. P17926 | 17OCT2002 | DM | RDR |
| | A | REVISED PER PCN E-18-012207 | 31JUL2018 | JA | DM |
| | A1 | REVISED PER PCN E-19-018080 | 19NOV2019 | MK | DM |



- (A1) 3. SEE APPLICATION SPECIFICATION 114-151004 FOR CRIMP TOOLS AND WIRE RANGE
- 2 SOCKET CONTACT IS IDENTIFIED WITH SINGLE BLUE STRIPE.
1. THIS SOCKET CONTACT USED ON HIGH DURABILITY APPLICATIONS.

NOTES: UNLESS OTHERWISE SPECIFIED

| | | |
|----------------|---------------|---------|
| TE INTERNAL PN | DEUTSCH PN | PLATING |
| 0462-004-1631 | 0462-004-1631 | GOLD |

| | | | | | |
|--|--|--------------------------------|-----------------------------------|--------------------|-------------------------------|
| THIS DRAWING IS A CONTROLLED DOCUMENT. | | DWN D. MEYER 11PCT2002 | | | |
| DIMENSIONS: INCHES [mm] | | CHK P. BURKE 11OCT2002 | | | |
| TOLERANCES UNLESS OTHERWISE SPECIFIED: | | APVD R. REED 17OCT2002 | NAME CONTACT SOCKET SIZE 16 | | |
| 0 PLC ± | | PRODUCT SPEC 108-151004 | SIZE A3 | CAGE CODE 4AFU8 | DRAWING NO C=0462-004-16XX |
| 1 PLC ± | | APPLICATION SPEC 114-151004 | RESTRICTED TO - | | |
| 2 PLC ± | | WEIGHT 0.60g | SCALE 10:1 | | |
| 3 PLC ± | | CUSTOMER DRAWING | SHEET 1 OF 1 | | |
| 4 PLC ± | | | REV A1 | | |
| ANGLES ± | | | | | |
| MATERIAL | | | | | |
| FINISH | | | | | |