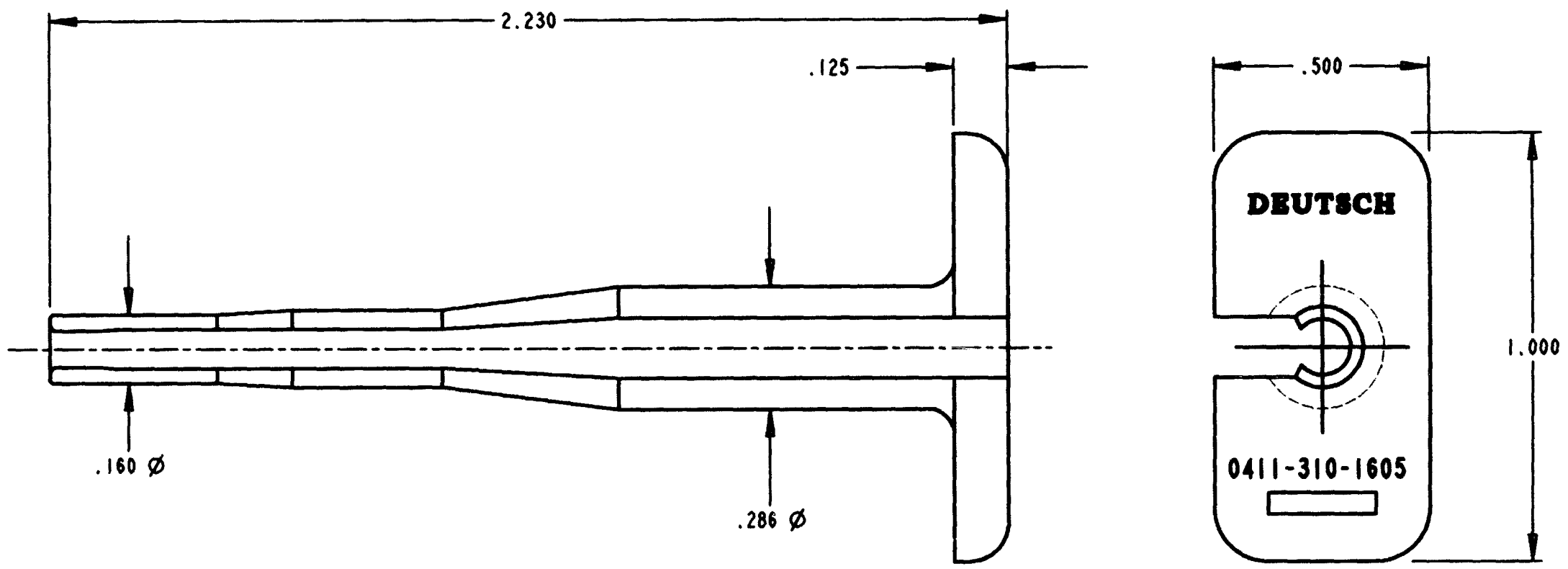


REV  
A 0411-310-1605

REVISIONS			
SYM	DESCRIPTION	DATE	APPROVED
NC	NEW RELEASE PER E.O. A11173	7/19/91	J.A.
A	REVISED PER E.O. A14876	7-27-95	ROR



- NOTES:
1. ALL DIMENSIONS ARE IN INCHES.
  2. ALL DIMENSIONS ARE FOR REFERENCE ONLY.
  3. MATERIAL: PLASTIC, LIGHT BLUE.

SIGNATURE & DATE	
DR	C. WOODRUFF 15 JUL 91
CHK	
PE	<i>[Signature]</i> 7/27/95
APPD	
SCALE	NONE
WT	

PROBE TOOL  
EXTRACTION  
SIZE 16  
REDUCED WIRE SEAL

ENVELOPE

CP	MATL. CODE
<b>The Deutsch Company</b> DEUTSCH I.P.D. 37140 INDUSTRIAL AVE. HEMET, CALIF. 92343	
<b>B</b>	0411-310-1605
DWG SIZE	CODE 11139 SHEET 1 OF 1