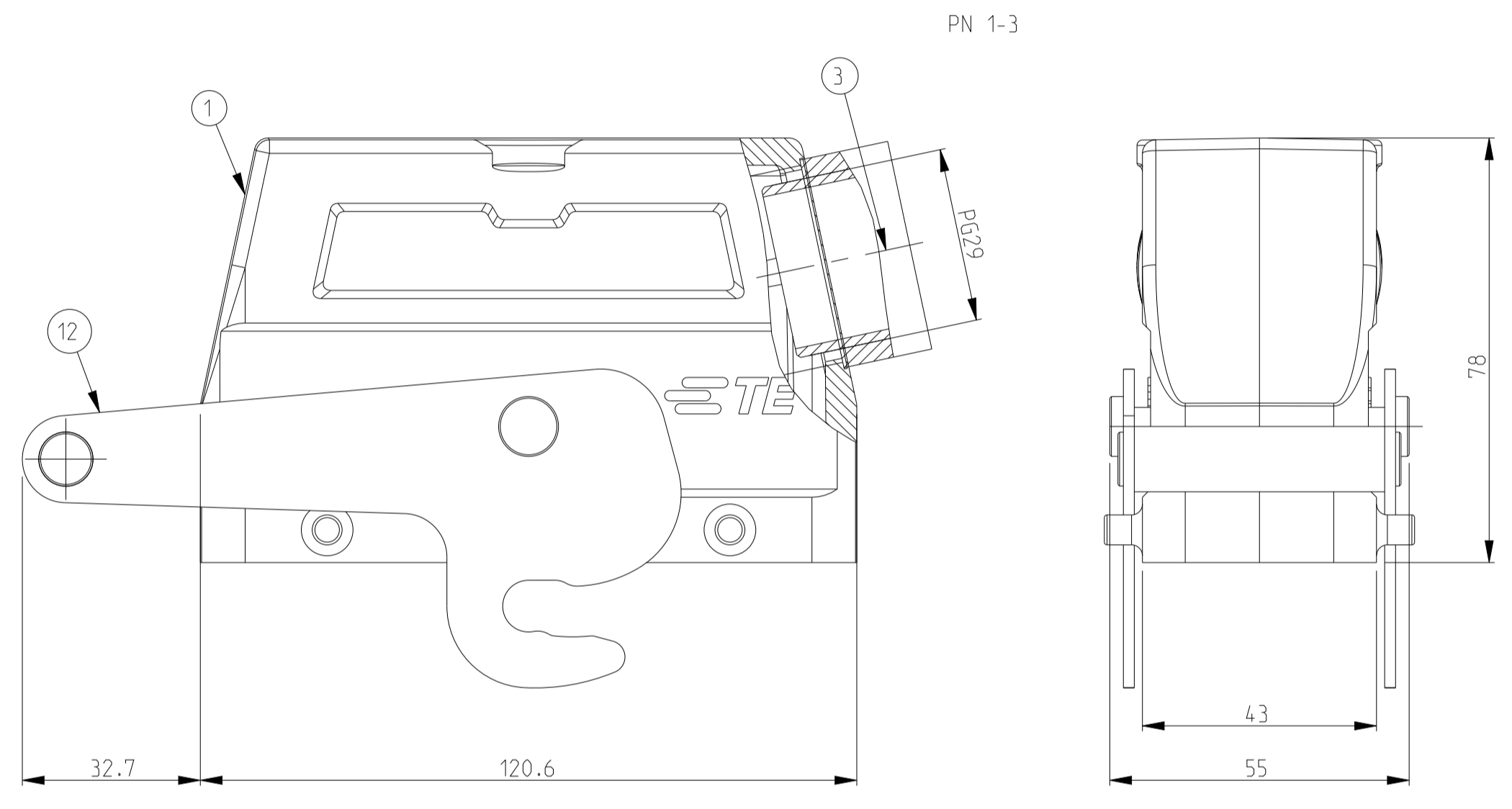
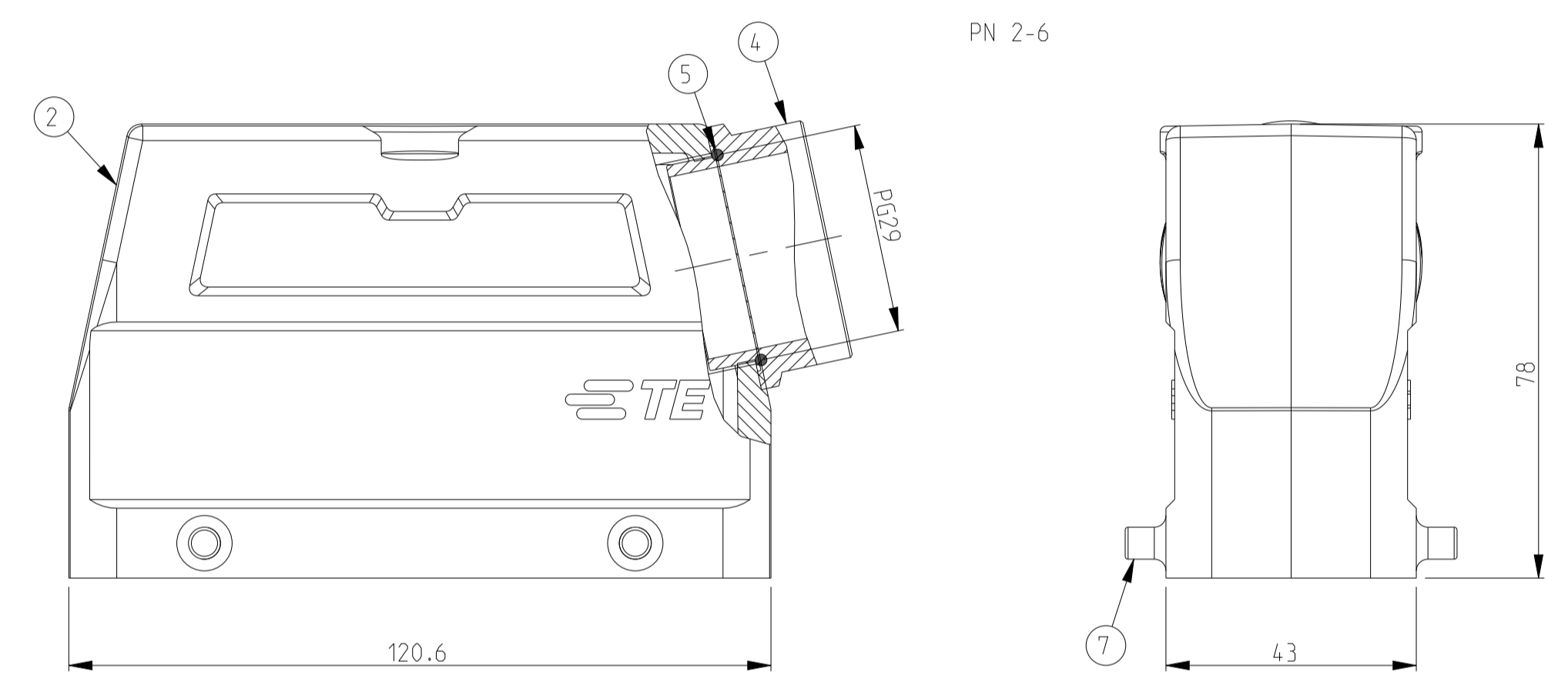
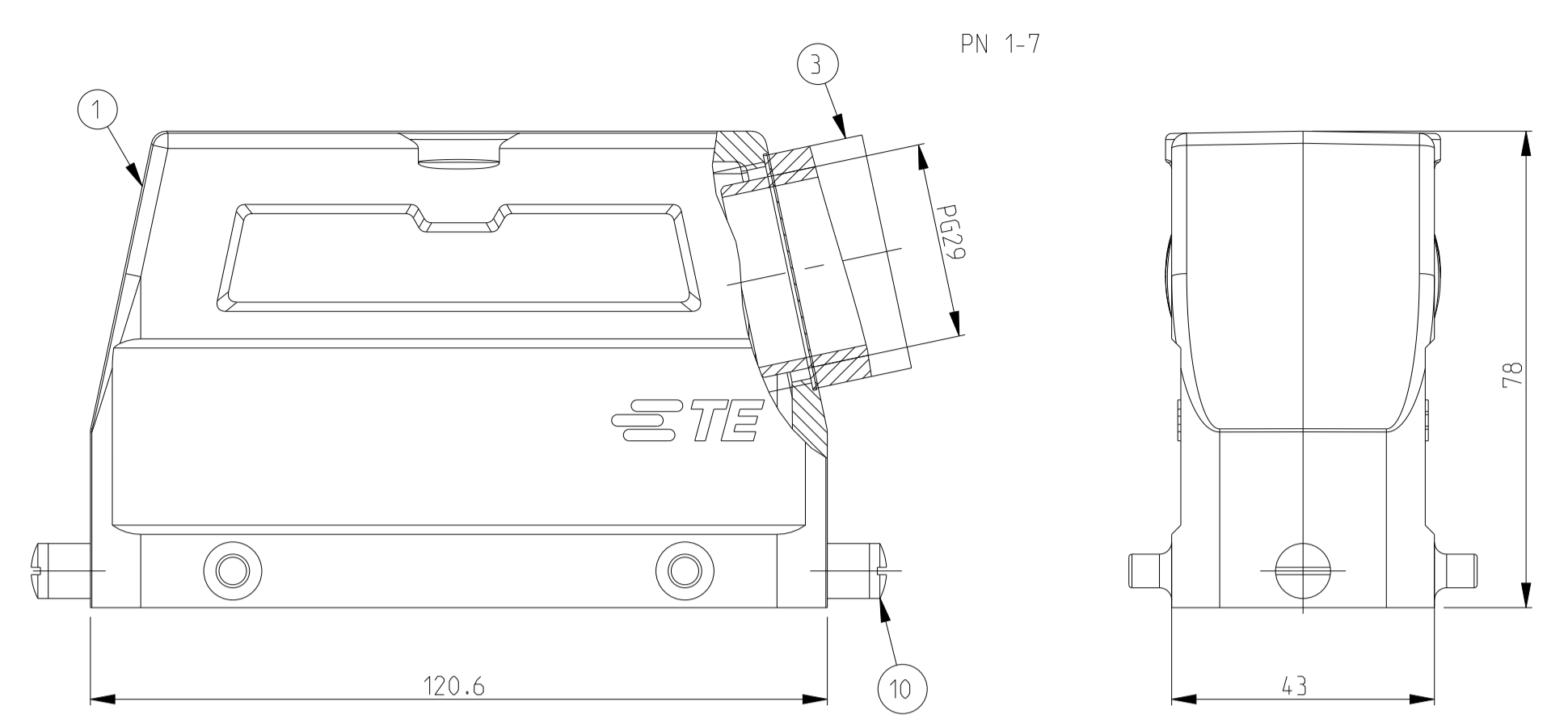
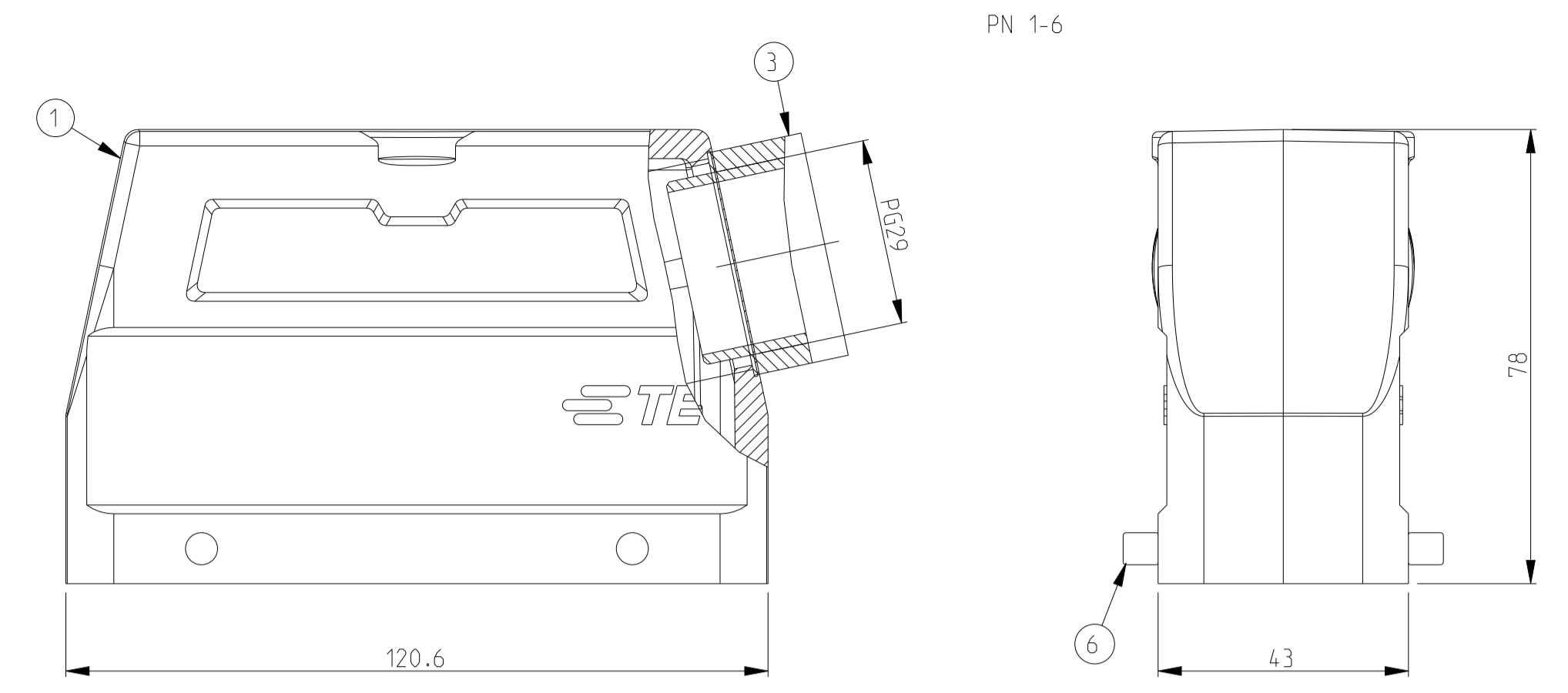
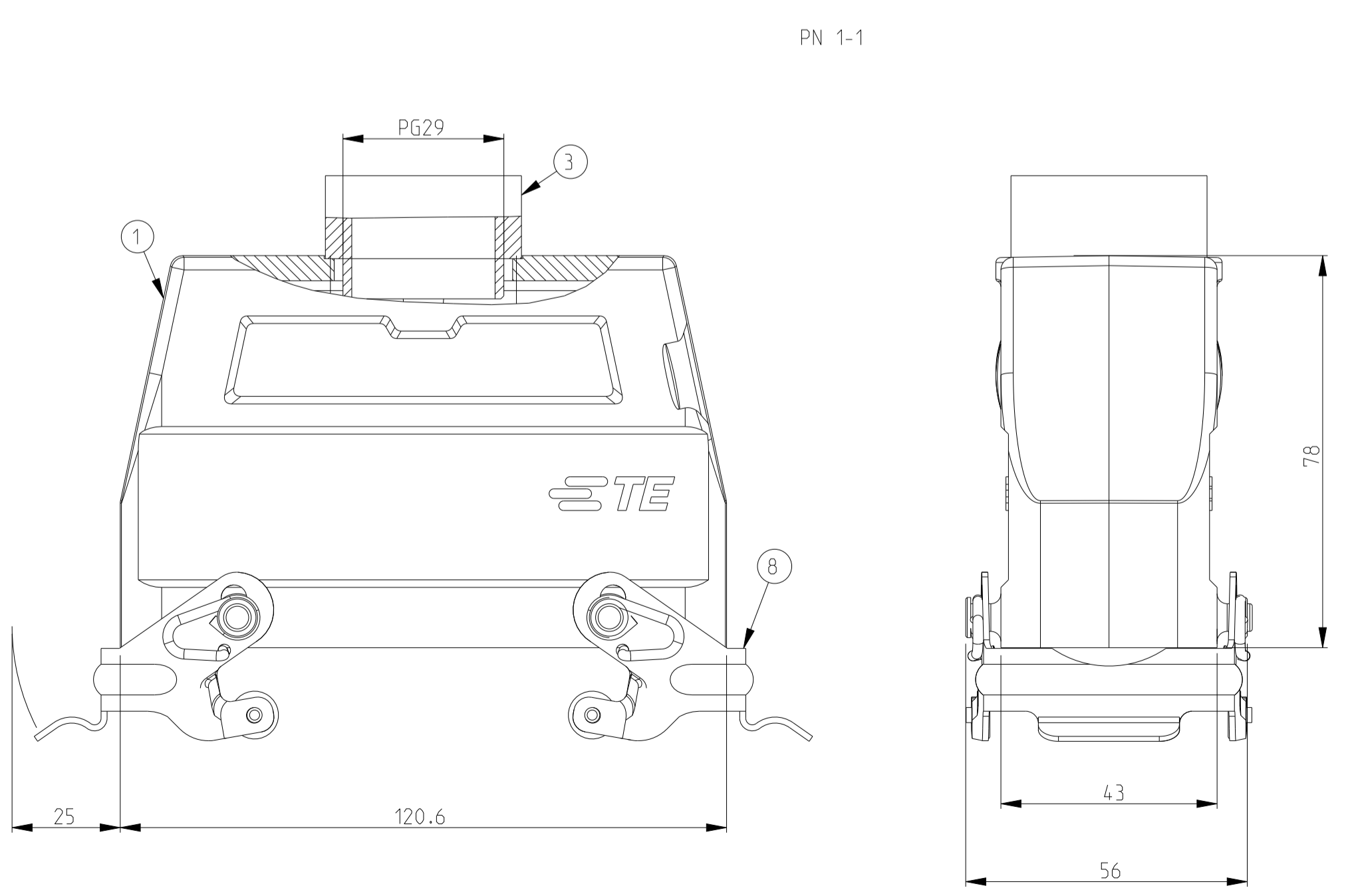
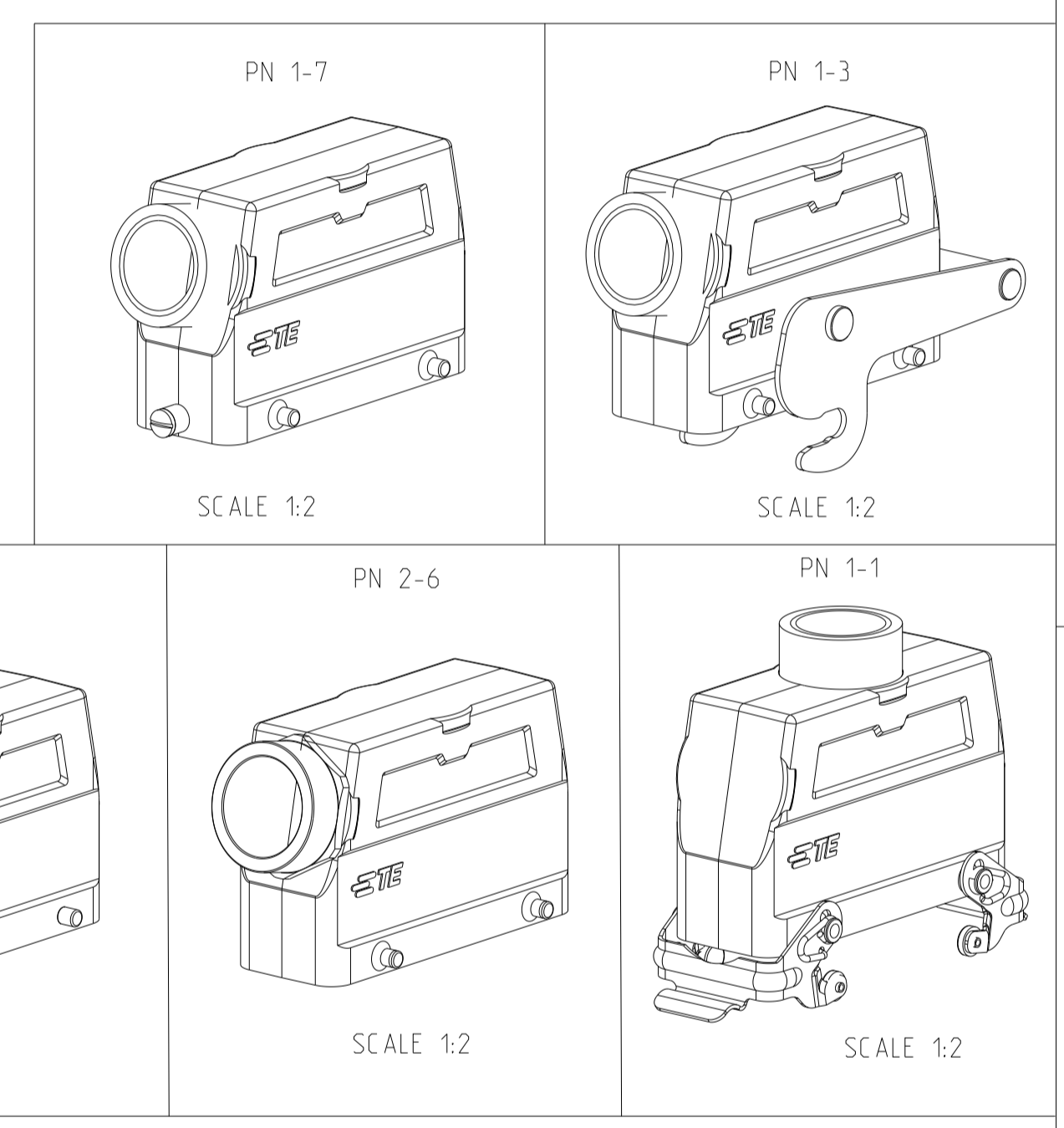


REVISIONS				
P	LTA	DESCRIPTION	DATE	OWN APVD
A8		ECR-17-014011	27MAR2018	SG MKO
A9		REVISED PER ECR-24-207461	11JUN2024	RK WR



NOTES.

- Material:Housing:Aluminium Diecasting Alloy  
Seals:Neoprene
- Surface-Powder Varnish Grey  
-Aluminium Oxide +  
Varnish Black
- Varnish on the inside not necessary
- Packaging  
Quantity 5 Pieces in a box



QTY	DESCRIPTION	MATERIAL	SURFACE	COLOR	TEMP	REMARKS
1	ZB-Central clip	Stainless steel	-		13	
1	ZB-Central clip	Steel	Zinc plated	Blue	12	
2	LB-Clip bolt	Stainless steel	-		11	
2	LB-Clip bolt	Steel	Zinc plated	Blue	10	
2	VS-Side clip	Stainless steel	-		9	
2	VS-Side clip	Steel	Zinc plated	Blue	8	
4	VS-Clip bolt	Stainless steel	-		7	
4	VS-Clip bolt	Steel	Zinc plated	Blue	6	
1	O ring Pg29	Neoprene	-		5	
1	Adaptor 6kt Pg29	Brass	Nickel plated		4	
1	Adaptor Pg29	Brass	Nickel plated		3	
1	Hood HD.64.Pg.1.29	Aluminium	Aluminium oxide	Black	2	
1	Hood HD.64.Pg.1.29	Aluminium	-	Grey	1	

THIS DRAWING IS A CONTROLLED DOCUMENT. OWN Gr.9f 11.11.1997  
 CHK Krammen 02.06.98

TE Connectivity

NAME Hood  
 HD.64.STS.1.29.G

PRODUCT SPEC 108-74001  
 108-74003

APPLICATION SPEC 114-74001  
 114-74004

WEIGHT A1 00779 C=1103337

CUSTOMER DRAWING SCALE 1:1 SHEET 1 OF 1 REV A9