



## Introducing AMP+ Electric Vehicle Contactor (EVC) 135

Hermetically sealed and intrinsically safe, TE Connectivity AMP+ electric vehicle contactors provide fast and reliable switching of the high voltage battery to the vehicle system in hybrid and electric vehicles. The AMP+ electric vehicle contactor 135 offers 900 VDC and 135 Amps continuous current carrying capabilities in a compact package.

Evolved from fighter jet technology, AMP+ electric vehicle contactors reliably provide current switching capability in harsh and explosive operating environments with no oxidation or contamination of contacts during long periods of non-operation. This compact solution is designed with 8kV of isolation between open contacts to increase battery system robustness. Configurable mounting orientation and custom connections allow customers to meet their packaging needs.



# AMP+ EVC 135 900 VDC, 135 Amp Continuous Current Contactor



## EVC 135 KEY FEATURES

- Mechanical life 1 million cycles
- Not position sensitive, can be mounted in any orientation
- Hermetically sealed
- 8kV of isolation between open contacts
- 135 Amp continuous current rating
- Voltage rating (max.) 900 VDC
- 1250 Amp maximum short circuit current
- Available in side mount or bottom mount configuration
- Customized connections available
- Quiet operation
- Qualified for automotive use

## TE Technical Support Center

Canada:	+1.905.470.4425
C. America:	+52.0.55.1106.0814
China:	+86.0.400.820.6015
France:	+33.0.1.3420.8686
Germany:	+49.0.6251.133.1999
Great Britain:	+44.0.8706.080208
India:	+91.80.285.40800
Japan:	+81.44.844.8111
Korea:	+82.2.3415.4500
Mexico:	+52.0.55.1106.0814
Netherlands:	+31.0.73.6246.999
South America:	+55.0.11.2103.6000
USA:	+1.800.522.6752

te.com

© 2012 Tyco Electronics Corporation,  
a TE Connectivity Ltd. Company. All Rights Reserved.  
3-1773464-7 GAD TB 4M 05/2012

TE Connectivity, TE connectivity (logo), EVC and AMP+ are trademarks. Other logos, product and/or company names might be trademarks of their respective owners.

## APPLICATIONS

- Main power relay for hybrid electric vehicles
- Accessory relays for high voltage system
- High speed pre-charging

## MECHANICAL

- Compact epoxy-sealed resin enclosure occupies about 65.5 cm<sup>3</sup> volume
- Robust mounting plate with side or bottom mounting option for M4 screws
- Inert gas filled contact chamber
- Flying leads for coil connections
- Load terminals threaded for M5 bolts
- Mechanical life: 1 million cycles

## ELECTRICAL

- Contactor arrangement: Main contacts SPST-NO-DM (1 form X)
- Voltage rating (max): 900 VDC
- Continuous current rating: 135 Amps
- Short term current rating (3 min): 200 Amps
- Coil operation voltage: 12V
- Coil resistance (+20 °C): 26 ohms, 15.3 ohms, 3.8 ohms available for different pull-in voltages

## STANDARDS AND SPECIFICATIONS

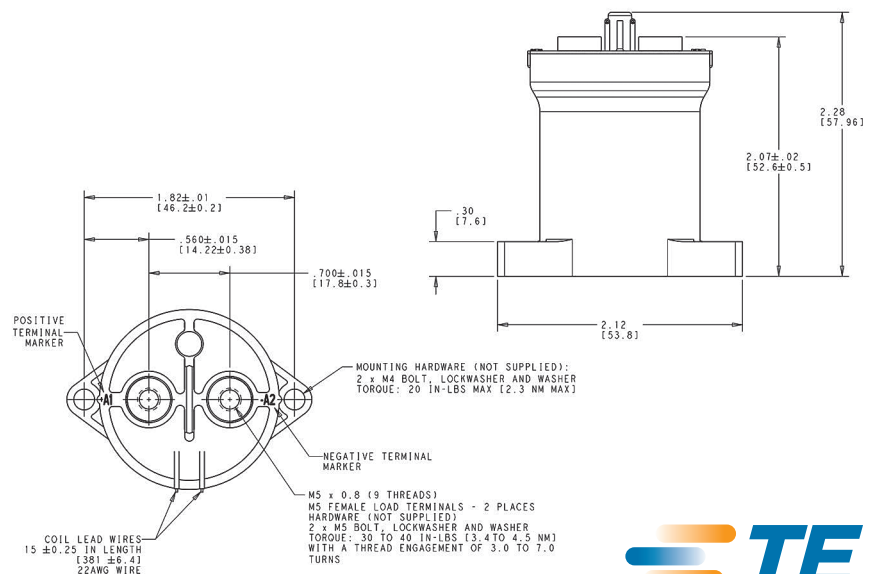
- RoHS compliant

## PRODUCT OFFERING

### AMP+ EVC 135 900VDC, 135 Amp Continuous Current Contactor

Order	Part Number	Coil Ohms	Wire Length	Coil Termination	Mounting
5-1618389-5	EVC135-4BNG	15.3 Ohms	6 in (150 mm)	Stripped Wire	Bottom
2138011-1	EVC135-4ANG	15.3 Ohms	15 in (380 mm)	Stripped Wire	Bottom
2138168-1	EVC135-4BNH	15.3 Ohms	6 in (150 mm)	Stripped Wire	Side
2203120-1	EVC135-4ANH	15.3 Ohms	15 in (380 mm)	Stripped Wire	Side
2098371-1	EVC135-5BNG	26 Ohms	6 in (150 mm)	Stripped Wire	Bottom
2138622-1	EVC135-5ANG	26 Ohms	15 in (380 mm)	Stripped Wire	Bottom
2203012-1	EVC135-5BNH	26 Ohms	6 in (150 mm)	Stripped Wire	Side
2203012-2	EVC135-5ANH	26 Ohms	15 in (380 mm)	Stripped Wire	Side
2138084-1	EVC135-6BNG	3.9 Ohms	6 in (150 mm)	Stripped Wire	Bottom

- Bottom mount



While TE has made every reasonable effort to ensure the accuracy of the information in this brochure, TE does not guarantee that it is error-free, nor does TE make any other representation, warranty or guarantee that the information is accurate, correct, reliable or current. TE reserves the right to make any adjustments to the information contained herein at any time without notice. TE expressly disclaims all implied warranties regarding the information contained herein, including, but not limited to, any implied warranties of merchantability or fitness for a particular purpose. The dimensions in this catalog are for reference purposes only and are subject to change without notice. Specifications are subject to change without notice. Consult TE for the latest dimensions and design specifications.