

THIS DRAWING IS A CONTROLLED DOCUMENT. DRAW NO 1583000

TOOL NUMBER 	WIRE SIZE mm ² [AWG] 	INSULATION DIAMETER mm [in.] 	INSUL. ADJ. 	FLIP LOCATOR 	STRIP LENGTH mm [in.] 	CRIMP HEIGHT mm [in.] 	CONTACT PART NUMBERS				CONTACT DESCRIP.	APPLIC. SPECIF.
							LOOSE PIECE 		STRIP FORM 			
91500-1 91500-3 91500-4 	0.5 - 0.9 [20-18] 1.2 - 2.1 [16-14]	1.52 - 3.30 [.060 - .130]	YES	NO	4.75 ± 0.38 [.187 ± .015]	1.27 ± 0.05 [.050 ± .002] 1.60 ± 0.05 [.063 ± .002]	350547-[] 350550-[] 350669-[] 350705-[]	350218-[] 350536-[] 350654-[] 350687-[]	770250-[] 770251-[] 770254-[] 770007-[] 770193-[] 770008-[]	Univ. MATE-N-LOK Contacts Univ. MATE-N-LOK 2 Contacts	114-1010 & 114-1011 114-1043	
91506-1 91506-3	1.21 - 2.1 [16-14]	3.3 - 5.1 [.130 - .200]	YES	NO	4.75 ± 0.38 [.187 ± .015]	1.60 ± 0.05 [.063 ± .002]	350551-[] 350552-[] 350707-[] 350919-[] 350918-[] 770249-[] 770248-[] 770255-[]	350537-[] 350538-[] 350700-[] 350874-[] 350873-[] 770006-[] 770005-[] 770194-[]	Univ. MATE-N-LOK Contacts Univ. MATE-N-LOK 2 Contacts	114-1010 & 114-1011 114-1043		
91508-1 91508-3	0.5 - 0.9 [20-18]	3.3 - 5.1 [.130 - .200]	YES	NO	4.75 ± 0.38 [.187 ± .015]	1.24 ± 0.05 [.049 ± .002]	350551-[] 350552-[] 350707-[] 350919-[] 350918-[] 770249-[] 770248-[] 770255-[]	350537-[] 350538-[] 350700-[] 350874-[] 350873-[] 770006-[] 770005-[] 770194-[]	Univ. MATE-N-LOK Contacts Univ. MATE-N-LOK 2 Contacts	114-1010 & 114-1011 114-1043		
91510-1 91510-3	0.2 - 0.38 [24-22] 0.5 - 0.9 [20-18]	1.02 - 2.54 [.040 - .100]	YES	NO	4.75 ± 0.38 [.187 ± .015]	1.02 ± 0.05 [.040 ± .002] 1.17 ± 0.05 [.046 ± .002]	350689-[] 350690-[] 350706-[] 640347-[]	350570-[] 350561-[] 350699-[] 350851-[]	770252-[] 770253-[] 770009-[] 770010-[]	Univ. MATE-N-LOK Contacts Univ. MATE-N-LOK 2 Contacts	114-1010 & 114-1011 114-1043	
91522-1 91522-3	0.32 - 0.6 [22-20] (1 wire) 0.8-0.9 [18] (2 wire) 0.31-0.38 [22]	1.50 - 2.2 [.059 - .087] (1 wire) 1.54-2.4 [.059-.095] (2 wire) 1.5-1.7 [.059-.067]	YES	NO	3.45 ± 0.25 [.136 ± .010] (1 wire) 3.45 ± 0.25 [.136 ± .010] (2 wire) 3.7 ± 0.2 [.146 ± .008]	0.79 ± 0.05 [.031 ± .002] 1.04 ± 0.05 [.041 ± .002]	170364-[] 170366-[] 794228-[] 794229-[]	170360-[] 170362-[] 794220-[] 794221-[]	770987-[] 770988-[] 770903-[] 770904-[]	Mini-Univ. MATE-N-LOK Contacts Mini-Univ. MATE-N-LOK 2 Contacts	114-5050 & 114-16017 114-13089	
91529-1 91529-3	0.12 - 0.24 [26-24] 0.32 - 0.38 [22]	1.2 - 1.75 [.047 - .069]	YES	YES	3.45 ± 0.25 [.136 ± .010]	0.69 ± 0.05 [.027 ± .002] 0.79 ± 0.05 [.031 ± .002]	170363-[] 170365-[] 794226-[] 794227-[] 770985-[] 770986-[]	170359-[] 170361-[] 794136-[] 794218-[] 794219-[] 770901-[] 770902-[]	Mini-Univ. MATE-N-LOK Contacts Mini-Univ. MATE-N-LOK 2 Contacts	114-5050 & 114-16017 114-1111 114-13089		
91536-1 91536-3	0.5 - 0.9 [20-18] (1 wire) 1.2-1.4 [16] (2 wire) 0.5-0.6 [20]	2.0 - 3.0 [.079 - .118] (1 wire) 2.5-3.2 [.098-.126] (2 wire) 2.0-2.4 [.079-.094]	YES	NO	3.45 ± 0.25 [.136 ± .010] (1 wire) 3.45 ± 0.25 [.136 ± .010] (2 wire) 3.70 ± 0.20 [.146 ± .008]	1.07 ± 0.05 [.042 ± .002] 1.27 ± 0.05 [.050 ± .002]	171638-[] 171639-[]	171636-[] 171637-[]	Mini-Univ. MATE-N-LOK Contacts	114-5050 & 114-16017		
91594-1 91594-3	0.50-0.89 [20-18] 0.50-1.42x2 [16-20x2]	2.00-3.20 [.079-.126] 2.26-3.20 [.098-.126]	YES	NO	(1 wire) 3.45 ± 0.25 [.136 ± .010] (2 wire) 3.70 ± 0.20 [.146 ± .008]	1.07 ± 0.05 [.042 ± .002] 1.29 ± 0.05 [.051 ± .002]	794230-[] 794231-[]	794222-[] 794223-[]	Mini-Univ. MATE-N-LOK 2 Contacts	114-1111		

LIST OF APPLIED CONTACT PART NUMBERS MAY NOT BE COMPLETE AND IS SUBJECT TO CHANGE. FOR CURRENT INFORMATION ON TERMINAL PART NUMBERS, CONTACT THE TOOLING ASSISTANCE CENTER : 1-800-722-1111.

2. AMP, CERTI-CRIMP, and MATE-N-LOK are trademarks.

-1 IS A CERTICRIMP II HAND TOOL ASSEMBLY. -3 IS A CERTICRIMP II HEAD SUB-ASSEMBLY.

SUPERSEDED

-4 IS A CERTICRIMP II HAND TOOL ASSEMBLY FOR SMALL INSULATION DIAMETER.

6. THE HAND TOOL INSTRUCTION SHEET, ALSO KNOWN AS AN "IS", FOR MOST CERTI-CRIMP II TOOLS USE IS 408-8547. IF THE TOOL HAS A FLIP LOCATOR USE IS 408-10414.

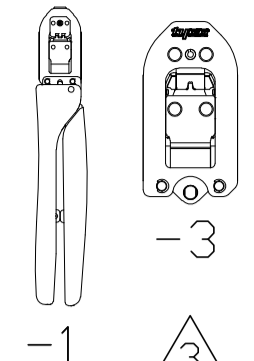
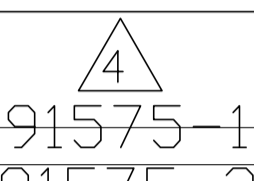
CERTI-CRIMP II DATA SHEET

DWN: M.YOUNGER 21FEB2012		MATERIAL: -	HEAT TREAT: -
CHK: B.A.WOLFE 22FEB2012		TE Connectivity	
APVD: B.A. WOLFE 22FEB2012		NAME: B.A. WOLFE	
SCALE: - SIZE: A1 DRAWING NO: 1583000 SHEET: 1 OF 2 REV: C1			

THIS INFORMATION IS CONFIDENTIAL AND PROPRIETARY TO TE CONNECTIVITY. IT IS NOT TO BE DISCLOSED TO ANY OTHER PERSON OR ENTITY WITHOUT THE WRITTEN AUTHORIZATION OF TE CONNECTIVITY.

LOC: A
DIST: 00

THIS DRAWING IS A CONTROLLED DOCUMENT. DRAW NO. 1583000

TOOL NUMBER	WIRE SIZE mm ² [AWG]	INSULATION DIAMETER mm [in.]	INSUL. ADJ.	FLIP LOCATOR	STRIP LENGTH mm [in.]	CRIMP HEIGHT mm [in.]	CONTACT PART NUMBERS ^①		CONTACT DESCRIP.	APPLIC. SPECIF.
							LOOSE PIECE	STRIP FORM		
^⑤ 91574-1 	0.20-0.56 [24-20]	1.52-2.54 [.060-.100]	YES	NO	5.16 ± 0.38 [.203 ± .015]	1.05 ± 0.08 [.041 ± .003]	350689-[] 350690-[] 350706-[]	350570-[] 350561-[] 350699-[]	Universal MATE-N-LOK Contacts	114-1010 & 114-1011
	0.75-0.89 [18]					1.27 ± 0.08 [.050 ± .003]				
^④ 91575-1 91575-3 	0.50-0.89 [20-18]	2.54-3.31 [.100-.130]	YES	NO	5.16 ± 0.38 [.203 ± .015]	1.29-1.45 [.051-.057]	350547-[] 350705-[] 350669-[] 350550-[]	350218-[] 350687-[] 350564-[] 350536-[]	Universal MATE-N-LOK Contacts	114-1010 & 114-1011
	0.75+0.75 OR 0.75+1.25 [18+18 OR 18+16]					1.60-1.75 [.063-.069]				
1976176-1	18 GA SOLID	1.02-2.54 [.040-.100]	YES	NO	4.37-0.38 [.172-.015]	1.18 ± .025 [.044 ± .001]	350689-[] 350550-[] 350690-[] 350547-[]	350851-[] 350536-[] 350561-[] 350218-[]	Universal MATE-N-LOK Contacts	114-1010 & 114-1011

^① LIST OF APPLIED CONTACT PART NUMBERS MAY NOT BE COMPLETE AND IS SUBJECT TO CHANGE. FOR CURRENT INFORMATION ON TERMINAL PART NUMBERS, CONTACT THE TOOLING ASSISTANCE CENTER : 1-800-722-1111.

2. AMP, CERTI-CRIMP, and MATE-N-LOK are trademarks.


^③ -1 IS A CERTICRIMP II HAND TOOL ASSEMBLY. -3 IS A CERTICRIMP II HEAD SUB-ASSEMBLY.

^④ SUPERSEDED

^⑤ -4 IS A CERTICRIMP II HAND TOOL ASSEMBLY FOR SMALL INSULATION DIAMETER.

6. THE HAND TOOL INSTRUCTION SHEET, ALSO KNOWN AS AN "IS", FOR MOST CERTI-CRIMP II TOOLS USE IS 408-8547. IF THE TOOL HAS A FLIP LOCATOR USE IS 408-10414.

CERTI-CRIMP II DATA SHEET

DWN M.YOUNGER	21FEB2012	MATERIAL -	HEAT TREAT -
CHK B.A.WOLFE	22FEB2012		
APVD B.A. WOLFE	22FEB2012		
NAME CERTI-CRIMP II TOOL DATA SHEET UNIVERSAL MATE-N-LOK CONTACT FAMILY			
SCALE -	SIZE A1	DRAWING NO 1583000	SHEET 2 of 2
REV C1			

DIMENSIONS: mm	TOLERANCES UNLESS OTHERWISE SPECIFIED:	0 PLC ± - 1 PLC ± - 2 PLC ± - 3 PLC ± - 4 PLC ± -	ANGLE: # - SURFACE TEXTURE: ✓
P LTR REVISION RECORD - SEE SHEET 1		DATE	DWN APVD

LOC
A
DIST
00