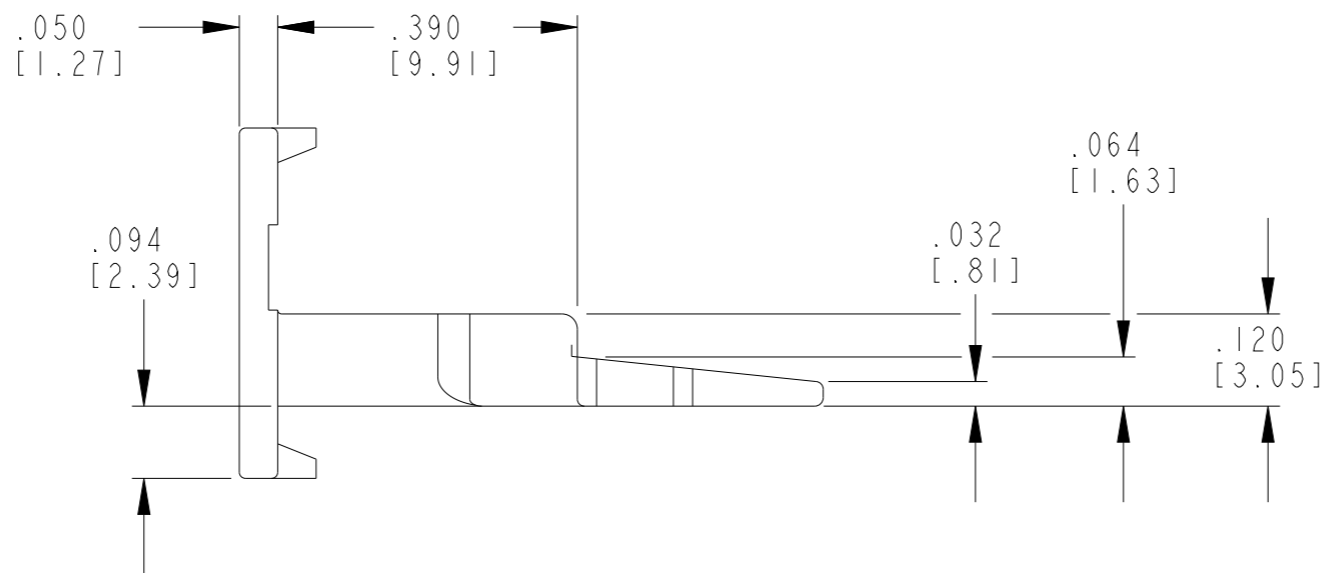
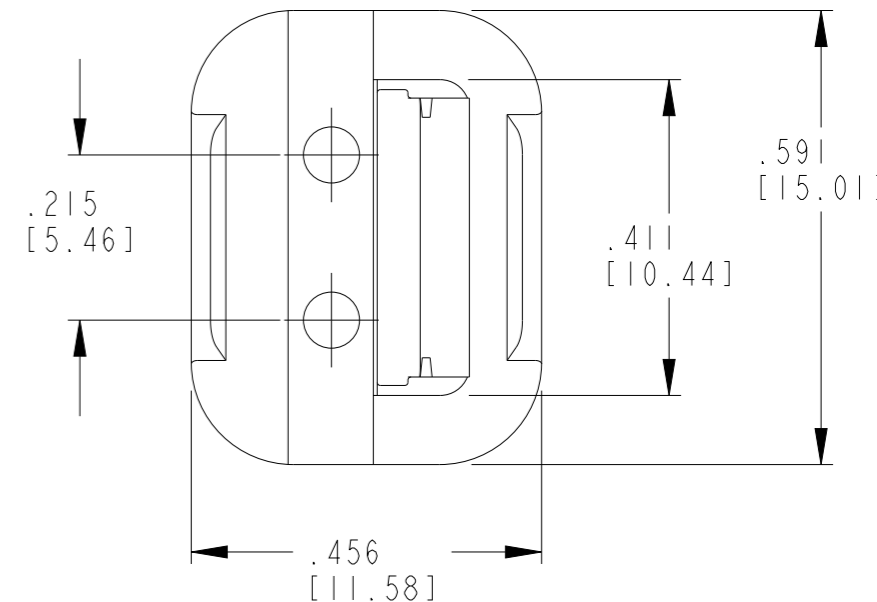
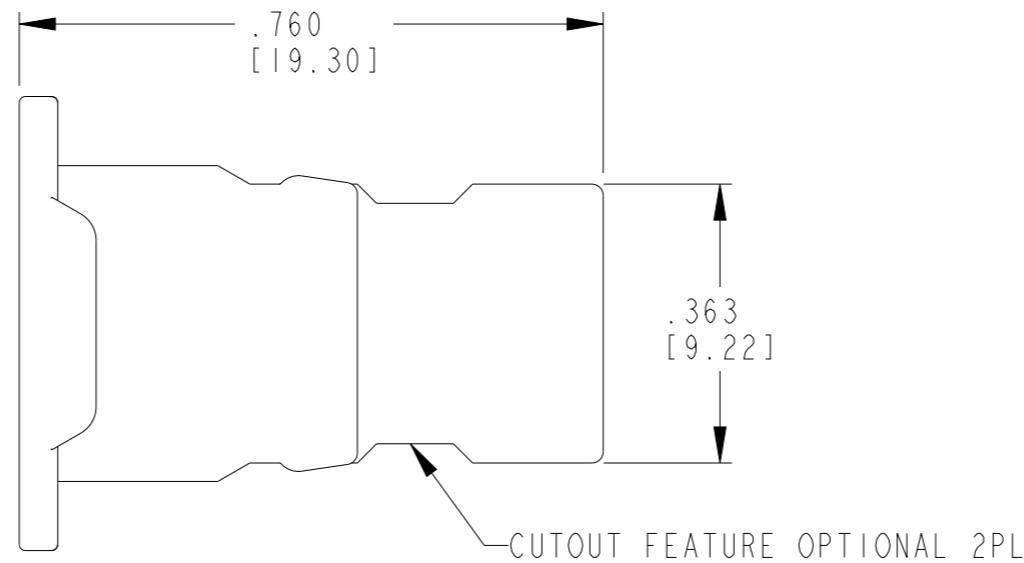
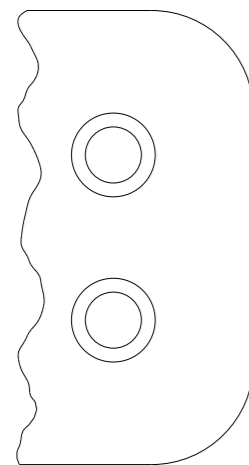



P	LTR	DESCRIPTION	DATE	DWN	APVD
	G	REVISED PER PCN-23-185892	01SEP2023	GB	IG



1. THIS WEDGE CAN BE USED WITH DT06-2S-XXXX.
(XXXX = ALL MODIFICATIONS). CONSULT FACTORY FOR MODIFICATIONS.

NOTE:

THIS DRAWING IS A CONTROLLED DOCUMENT.		DWN J. WOODY	12AUG1998	 TE Connectivity	
DIMENSIONS: INCHES [mm]		CHK -	-		
TOLERANCES UNLESS OTHERWISE SPECIFIED:		APVD R. REED	11SEP2012	NAME WEDGE LOCK FOR 2 CONT. PLUG COLOR; GREEN DT SERIES	
0 PLC ±- 1 PLC ±- 2 PLC ±.025 [0.64] 3 PLC ±- 4 PLC ±- ANGLES ±- FINISH -		PRODUCT SPEC 108-151009		SIZE A3	
MATERIAL PBT GF30 COLOR : GREEN		APPLICATION SPEC 114-151009		CAGE CODE 00779	DRAWING NO G-W2S-P012
		WEIGHT 0.833 g		RESTRICTED TO -	
		CUSTOMER DRAWING	SCALE 4:1	SHEET 1 OF 1	REV G