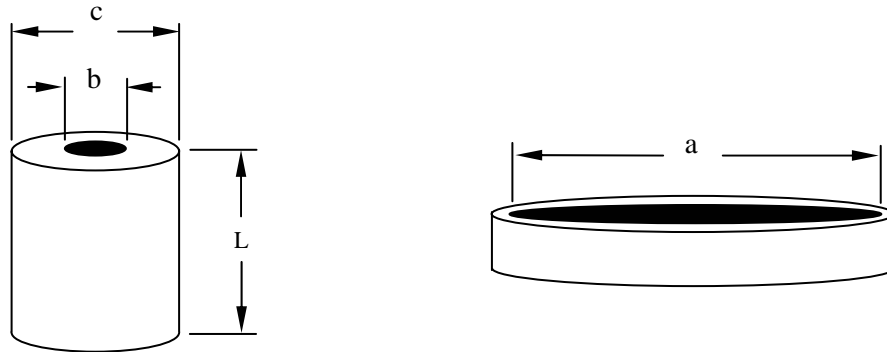


*shrinkHOoP*  
Cable Clamp Heat Shrink Grommet Sizes 2, 3 and 4



**Table of Dimensions, inch (mm):**

Part Description	Inside Diameter		Outside Diameter Recovered (c), Ref	Overall Length Recovered L, Ref (See Note*)
	Min. Exp. (a)	Max. Rec'd (b)		
URHR-2	1.23 (31)	0.10 (2.5)	0.375 (9.5)	0.50 (13)
URHR-3	1.44 (37)	0.14 (3.5)	0.500 (12.7)	0.50 (13)
URHR-4	1.85 (47)	0.18 (4.6)	0.562 (14.2)	0.75 (19)



**Note\*:** Alternate lengths available upon request.

**Material:** heat shrinkable, cross linked polyolefin, meets MIL-I-81765/1 Type II with Shore Hardness value 35+/- 5.

**Color:** Black

*shrinkHOoP* is a Trademark of Tyco Electronics

**Specification Control Drawing**

 Tyco Electronics Corporation 300 Constitution Drive Menlo Park, CA 94025 USA				<b>Title:</b> <i>shrinkHOoP</i> –Cable Clamp Heat Shrink Grommet Sizes 2, 3 and 4		
Tyco Electronics reserves the right to amend this drawing at any time. Users should evaluate the suitability of the product for their application.				<b>Document No.</b> <b>URHR-2-thru-4</b>		
UNLESS OTHERWISE SPECIFIED DIMENSIONS ARE IN INCHES. METRIC DIMENSIONS ARE SHOWN IN BRACKETS				<b>Rev.:</b> F		<b>Rev. Date:</b> December 9, 2004
<b>DRAWN BY:</b> U.NGUYEN	<b>CAGE CODE:</b> 06090	<b>Org. Date:</b> 10/03/2001	<b>File name:</b> R040891	<b>SCALE:</b> None	<b>SIZE:</b> A	<b>SHEET:</b> 1 of 2

©2004 Tyco Electronics Corporation. All rights reserved

If this document is printed it becomes uncontrolled. Check for the latest revision.

**Table 2: Properties**

	<b>Property</b>	<b>Requirements</b>	<b>Test method</b>
<b>Physical</b>	Tensile strength	1200 psi (8.3 Mpa) minimum	ASTM D-412
	Ultimate elongation	250% minimum	ASTM D-412
	Specific gravity	1.4 maximum	ASTM D-792
	Water absorption	0.5% maximum	ASTM D-570
	Hardness, Shore D	35 ± 5	ASTM D-2240
	Flammability	Pass Pass	ASTM D-635 FAR-25
	Corrosion resistance	Pass	MIL-I-81765
	Low temperature flex 4 hours at -67 ± 2°F (-55 ± 1°C)	Pass	MIL-I-81765
	Heat resistance 168 hours at 347 ± 2°F (175 ± 1°C)	200% ultimate elongation, minimum 1000 psi (6.9 Mpa) tensile strength, minimum	MIL-I-81765
	Heat shock 4 hours at 437 ± 5°F (225 ± 2°C)	No cracking, dripping or flowing	MIL-I-81765
<b>Elastic Memory</b>		275% minimum expansion to 4 inch (10 cm) of a fully recovered test specimen, and 93% recovery of expanded specimen after oven condition for 1 minute at 302 ± 4°F (150 ± 2° C)	
<b>Electrical</b>	Dielectric strength	200 v/mil (7880 v/mm) minimum	ASTM D-149
	Volume resistivity	10 <sup>12</sup> ohm-cm minimum	ASTM D-257
<b>Chemical Fluid Resistance</b>		200% ultimate elongation, minimum 750 psi (5.2 Mpa) tensile strength, minimum	MIL-I-81765