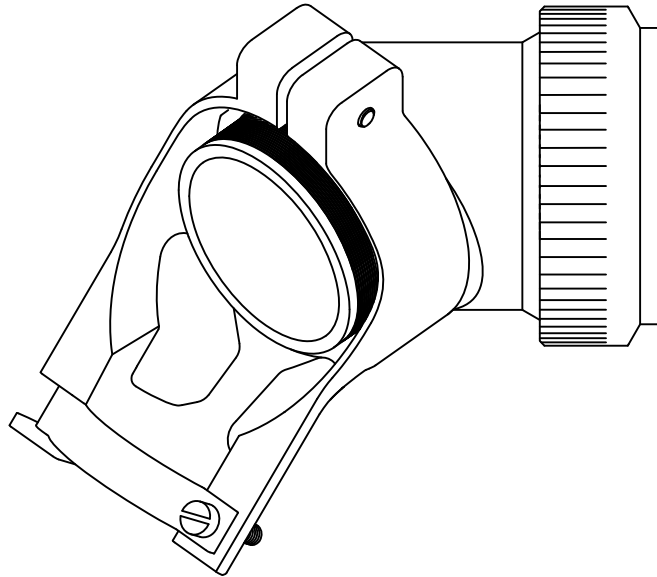


TE CONNECTIVITY (TE) RESERVES THE RIGHT TO CHANGE THIS DRAWING AT ANYTIME. USERS SHOULD EVALUATE THE SUITABILITY OF THE PRODUCT FOR THEIR APPLICATION.	REVISION			
	LTR	DESCRIPTION	DATE	APPROVED
	A	REVISED PER ECO-11-022898	11/14/2011	B. WONG
	B	REVISED PER ECO-14-018884	12/15/2014	I. MYONG



CODE 40 – SPIN-LOCK ADAPTER WITH STRAIN RELIEF FITTING


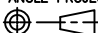
NOTES:

1. THIS PRODUCT IS DESIGNED TO TERMINATE A BRAIDED CABLE SHIELD TO A CONNECTOR AND PROVIDE STRAIN RELIEF.
2. SEE DRAWING "TR" FOR DETAIL ON TINEL-LOCK RING. RINGS ARE DESIGNED TO BE HEATED ELECTRICALLY. ALL RINGS ARE MARKED WITH THERMOCHROMIC PAINT WHICH CHANGES COLOR WHEN INSTALLATION TEMPERATURE IS REACHED.
3. ADAPTER TO BE PERMANENTLY MARKED WITH CODE IDENT. NO. AND PART NO. LESS RING DESIGNATOR (e.g. 06090-SLC40AB-1216A YYWW).
4. ADAPTER MATES TO MIL-DTL-38999, SERIES III & IV, CLASS C, F, K, & W; D38999 /20, /24, /26, /40, /46, /47 CONNECTORS, WHEN SO MATED SHALL PROVIDE WATER-TIGHT SEAL MEETING THE REQUIREMENTS OF SAE-AS85049, PAR. 3.5.7.
5. INSTALLATION PROCEDURE MIP-103-1.
6. PERFORMANCE SPECIFICATION MPS-103.
7. FOR ADDITIONAL ORDERING INFORMATION, REFER TO CH00-0250-019.

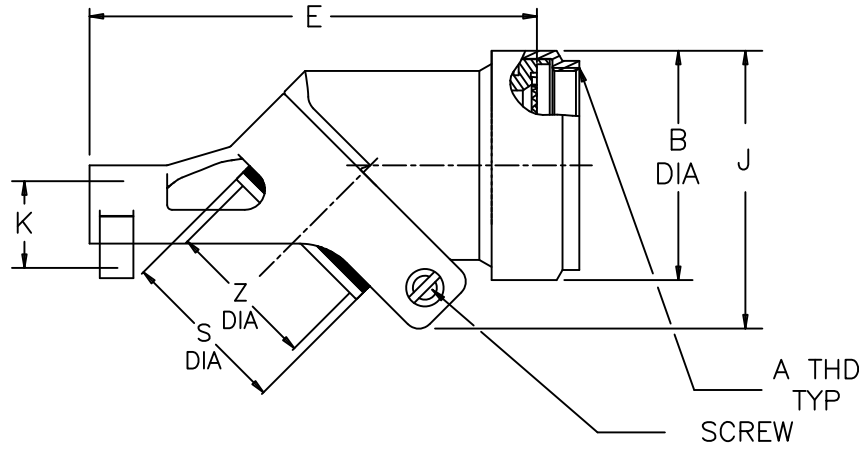
If this document is printed it becomes uncontrolled. Check for the latest revision

©2014 TE CONNECTIVITY LTD. FAMILY OF COMPANIES. ALL RIGHTS RESERVED
 TE CONNECTIVITY AND TE CONNECTIVITY (LOGO) ARE TRADEMARKS.
 OTHER LOGOS PRODUCT AND/OR COMPANY NAMES MAY BE TRADEMARKS OF THEIR RESPECTIVE OWNERS.

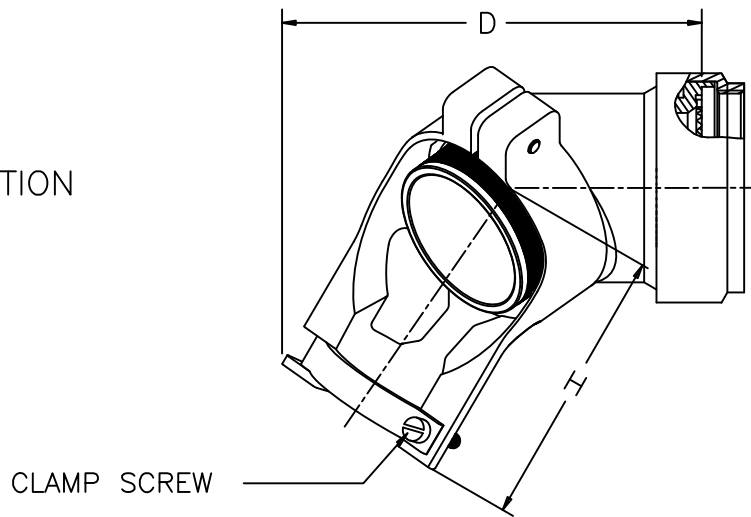
Raychem Adapters
 CUSTOMER DRAWING

UNLESS OTHERWISE SPECIFIED DIMENSIONS ARE IN INCHES. REFERENCE METRIC DIMENSIONS ARE IN BRACKETS [metric].	DRAWN: D. JAIN	DATE: 08/08/2011		TE Connectivity			
	CHECKED: B. WONG	DATE: 08/08/2011					
DECIMALS TOLERANCES: XXX ± .005 [0.13mm] XX ± .01 [0.25mm] X ± .1 [0.50mm] ANGLES TOLERANCE: ± 1°	APPROVED: I. MYONG	DATE: 12/11/2014	TITLE: CODE 40 – SPIN-LOCK ADAPTER				
	MATERIAL: SEE NOTES	FINISH: SEE NOTES					
SCALE: DO NOT SCALE THIS DRAWING	CAD FILE: SLC40.dwg	THIRD ANGLE PROJECTION: 	SIZE: A	SHEET: 1 OF 3	CAGE CODE: 06090	DRAWING NO: SLC40	REV. B

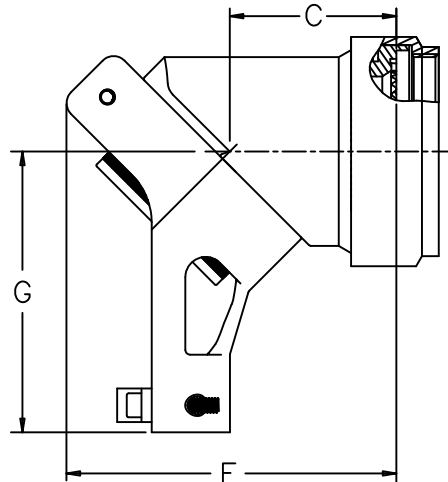
STRAIGHT



45° POSITION



90° POSITION



If this document is printed it becomes uncontrolled. Check for the latest revision

**Raychem Adapters
CUSTOMER DRAWING**


	DO NOT SCALE THIS DRAWING	SIZE	CAGE	SHEET	DWG. NO.	REV
		A	06090	2 OF 3	SLC40	B

TABLE I

ORDER NO.	SHELL SIZE 4		AVAILABLE ENTRY SIZES (SEE TABLE III)			A THREAD CLASS 6H	ØB MAX	C MAX
	COM'L	MIL	S	L	XL			
08	09	A	-	04	-	M12 x 1.0	.698 (17.73)	.624 (15.85)
10	11	B	-	04	06	M15 x 1.0	.822 (20.88)	.672 (17.07)
12	13	C	04	06	08	M18 x 1.0	.948 (24.08)	.742 (18.85)
14	15	D	06	08	10	M22 x 1.0	1.072 (27.23)	.877 (22.28)
16	17	E	08	10	12	M25 x 1.0	1.198 (30.43)	.931 (23.65)
18	19	F	10	12	14	M28 x 1.0	1.322 (33.58)	.987 (25.07)
20	21	G	10	12	16	M31 x 1.0	1.448 (36.78)	1.006 (25.55)
22	23	H	12	14	18	M34 x 1.0	1.572 (39.93)	1.077 (27.36)
24	25	J	12	16	20	M37 x 1.0	1.693 (43.00)	1.128 (28.65)

TABLE II

ORDER NO.	D MAX	E MAX	F MAX	G MAX	H MAX	K MAX	J MAX
08	1.81 (46.0)	1.80 (45.7)	1.27 (32.3)	1.12 (28.4)	1.16 (29.5)	.234 (5.94)	.97 (24.6)
10	1.89 (48.0)	2.00 (50.8)	1.35 (34.3)	1.24 (31.5)	1.16 (29.5)	.234 (5.94)	1.09 (27.7)
12	1.99 (50.5)	2.15 (54.6)	1.45 (36.8)	1.30 (33.0)	1.16 (29.5)	.328 (8.45)	1.17 (29.7)
14	2.09 (53.1)	2.32 (58.9)	1.51 (38.4)	1.37 (34.8)	1.16 (29.5)	.457 (11.61)	1.37 (34.8)
16	2.19 (55.6)	2.49 (63.2)	1.60 (40.6)	1.46 (37.1)	1.16 (29.5)	.614 (15.60)	1.50 (38.1)
18	2.28 (57.9)	2.79 (70.9)	1.67 (42.4)	1.64 (41.7)	1.16 (29.5)	.634 (16.10)	1.65 (41.9)
20	2.34 (59.4)	2.86 (72.6)	1.73 (43.9)	1.67 (42.4)	1.17 (29.7)	.698 (17.73)	1.79 (45.5)
22	2.45 (62.2)	3.23 (82.0)	1.81 (46.0)	1.95 (49.5)	1.15 (29.2)	.823 (20.90)	1.89 (48.0)
24	2.40 (61.0)	3.31 (84.1)	1.75 (44.5)	1.95 (49.5)	1.12 (28.4)	.853 (21.67)	1.99 (50.5)

TABLE III

ENTRY SIZE	ØS	ØZ + .010 (0.25) - .020 (0.50)
04	.376 (9.55) .370 (9.40)	.250 (6.35)
06	.501 (12.73) .495 (12.57)	.375 (9.53)
08	.626 (15.90) .619 (15.72)	.500 (12.70)
10	.752 (19.10) .742 (18.85)	.625 (15.88)
12	.877 (22.28) .867 (22.02)	.750 (18.84)
14	1.002 (25.45) .991 (25.17)	.875 (22.23)
16	1.127 (28.63) 1.116 (28.35)	1.000 (25.40)
18	1.252 (31.80) 1.241 (31.52)	1.125 (28.58)
20	1.377 (34.98) 1.366 (34.70)	1.250 (31.75)

If this document is printed it becomes uncontrolled. Check for the latest revision

Raychem Adapters
CUSTOMER DRAWINGDO NOT
SCALE THIS
DRAWINGSIZE
ACAGE
06090SHEET
3 OF 3

DWG. NO.

SLC40

REV
B