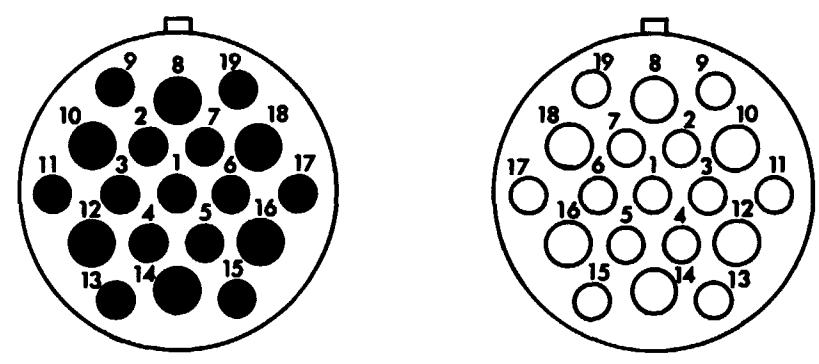
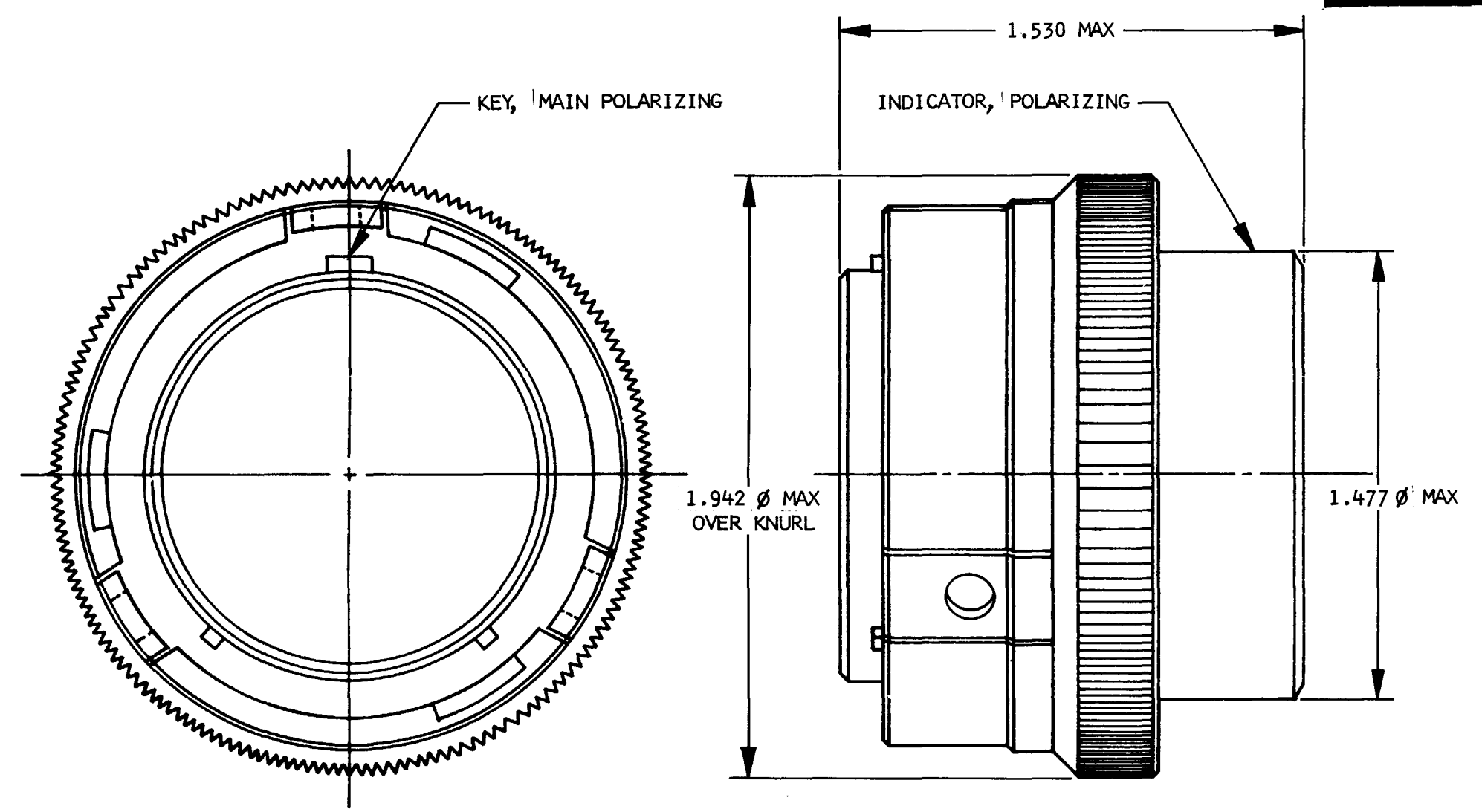


HDB36-24-19P/SN

REVISIONS			
SYM	DESCRIPTION	DATE	APPROVED
N/C	NEW RELEASE PER E.O. 91285	6-8-81	T.H.



PINS
SOCKETS
VIEW FROM REAR OF INSERT

3. THIS CONNECTOR SERIES WILL ACCOMMODATE THE FOLLOWING WIRE INSULATION DIAMETERS.

CONTACT SIZE	MIN O.D.	MAX O.D.	WIRE GAGE RANGE
12	.134	.170	12 & 14
16	.100	.130	16 & 18

2. CONSULT FACTORY FOR ELECTRICAL AND MATERIAL SPECIFICATION.

1. PERTINENT INFORMATION:
POWER CONTACTS
- 12 PIN 0460-204-12141
 - 12 SOC 0462-203-12141
 - 16 PIN 0460-202-16141
 - 16 SOC 0462-201-16141

NOTE:

SIGNATURE & DATE	
DR	<i>D. Whitace</i> 6-2-81
CHK	<i>T.H.H.</i> 6-8-81
PE	<i>R.H.S.</i> 6-4-81
APPD	
SCALE	NONE
WT	

PLUG, CONNECTOR
BREAKAWAY
BAYONET COUPLING
REAR INSERTION & REMOVAL
ENVIRONMENTAL
ENVELOPE

CP		MAT. CODE	
The Deutsch Company ELECTRONIC COMPONENTS DIVISION			
B	HDB36-24-19P/SN		
DWG SIZE	CODE 11139	SHEET 1 OF 1	