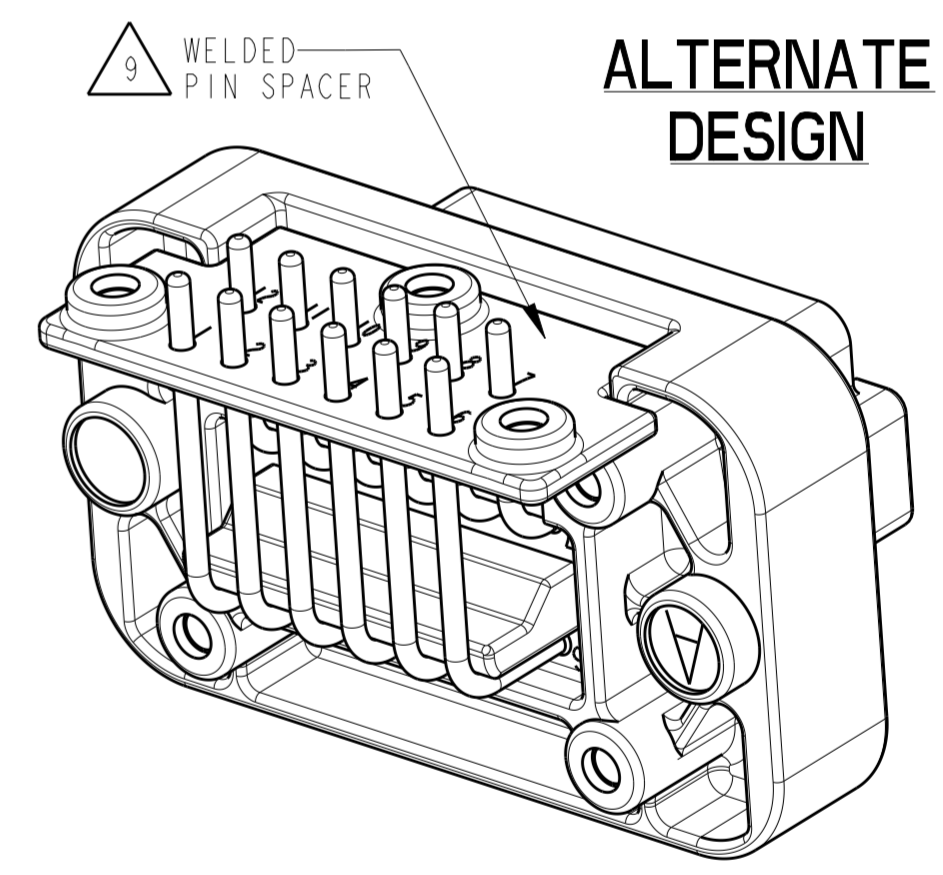
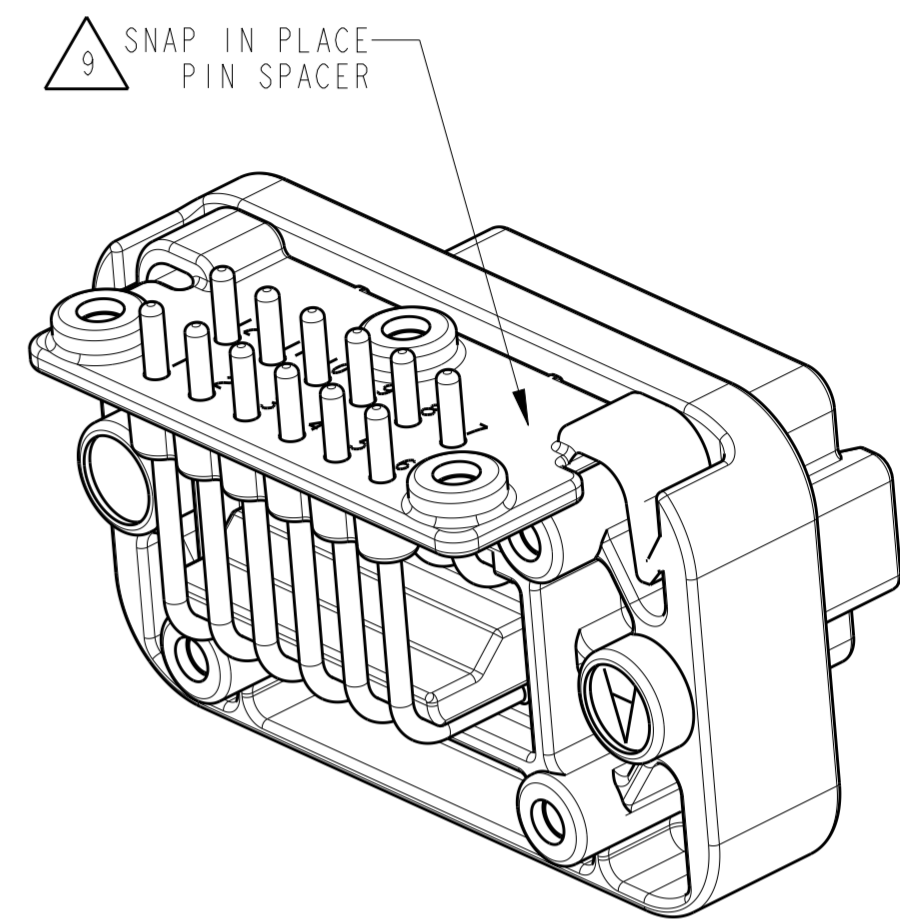
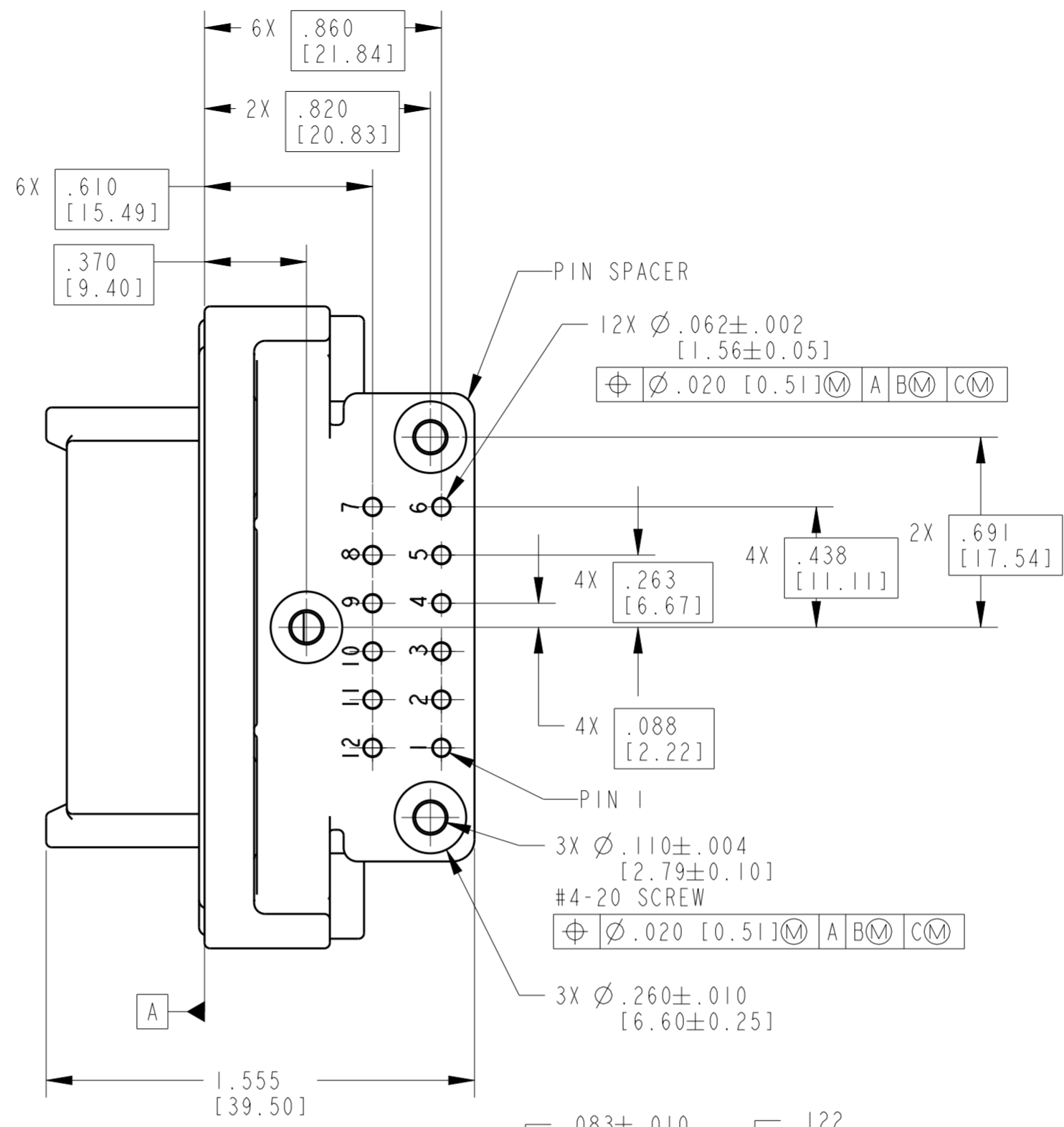
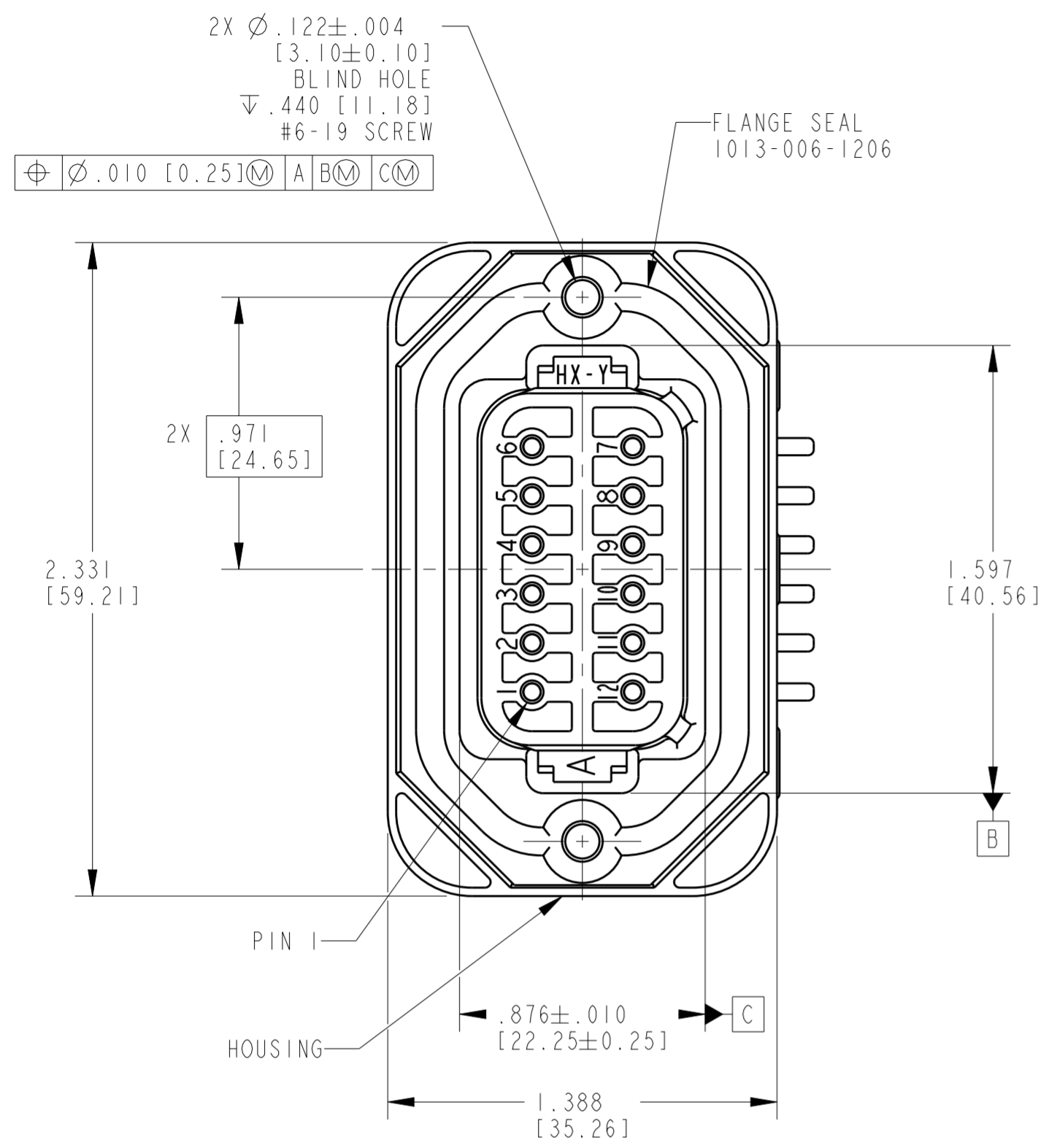


THIS DRAWING IS UNPUBLISHED. RELEASED FOR PUBLICATION 2017  
 © COPYRIGHT 2017 BY TE Connectivity ALL RIGHTS RESERVED.

| REVISIONS |     |                             |           |     |      |
|-----------|-----|-----------------------------|-----------|-----|------|
| P         | LTR | DESCRIPTION                 | DATE      | DWN | APVD |
| C3        |     | REVISED PER ECO-16-009536   | 24JUN2016 | JA  | DM   |
| C4        |     | REVISED PER ECO-16-011652   | 05AUG2016 | JA  | DM   |
| D         |     | REVISED PER PCN E-17-013520 | 18JUL2017 | KM  | DM   |
| D1        |     | REVISED PER PCN E-20-011899 | 20AUG2020 | DB  | IG   |



9. ALTERNATE PIN SPACER DESIGN RELATED TO MOLDING TOOL.

8. MOUNTING SURFACE SPECIFICATIONS:  
 SURFACE FINISH: 32  $\mu$ m [0.81  $\mu$ m] Ra OR LESS  
 FLATNESS: .005 in/in [0.13 mm/mm] MAX

7. SEE SHEET 2 FOR RECOMMENDED PANEL CUTOUTS.

6. SEE SHEET 3 FOR OTHER KEY ARRANGEMENTS.

5. MOUNTING SCREW TORQUE VALUES ARE AS FOLLOWS:  
 #6-19 SCREWS: 11-13 in LB [1.24-1.46 N-m].  
 #4-20 SCREWS: 4-9 in LB [.451-1.01 N-m].  
 VALUES VALID FOR PLASTITE 48 SCREWS ONLY.

4. RECOMMENDED MOUNTING SCREWS (NOT INCLUDED): CAMCAR PLASTITE 48, SINGLE HELIX.

3. THIS RECEPTACLE MATES WITH DT06-12SX PLUG (X = A,B,C,D KEYS, XXXX = ALL MODIFICATIONS).

2. CONTACT PLATING - MATING SIDE: NICKEL; PCB SIDE: TIN

1. MATERIALS:  
 HOUSING & PIN ALIGNMENT PLATE: PA46 GF30 (SEE SHEET 3 FOR COLORS)  
 FLANGE SEAL: VMO (RED-ORANGE)  
 PIN CONTACTS: COPPER ALLOY

NOTES:

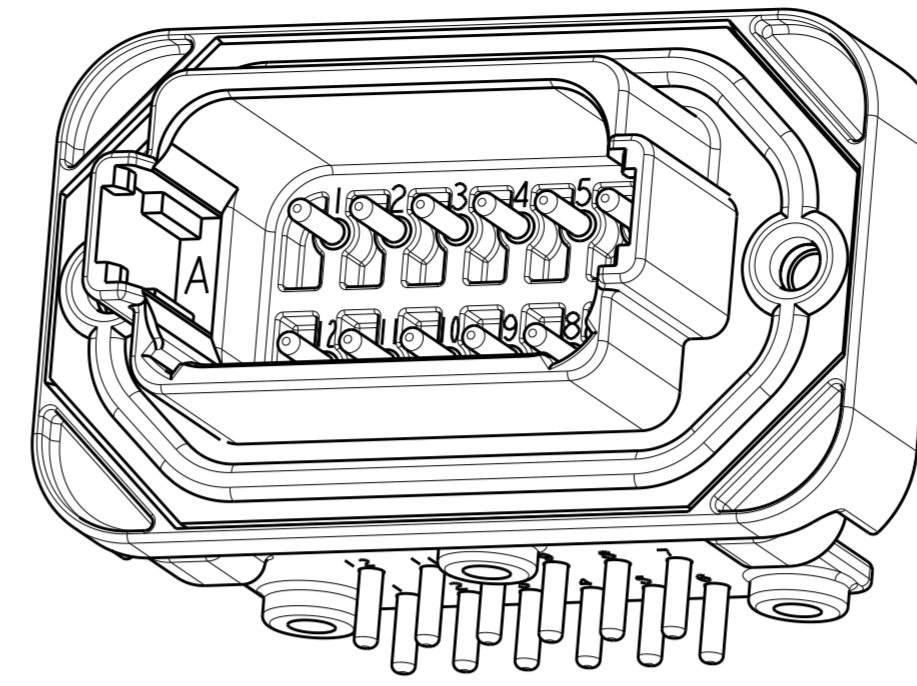
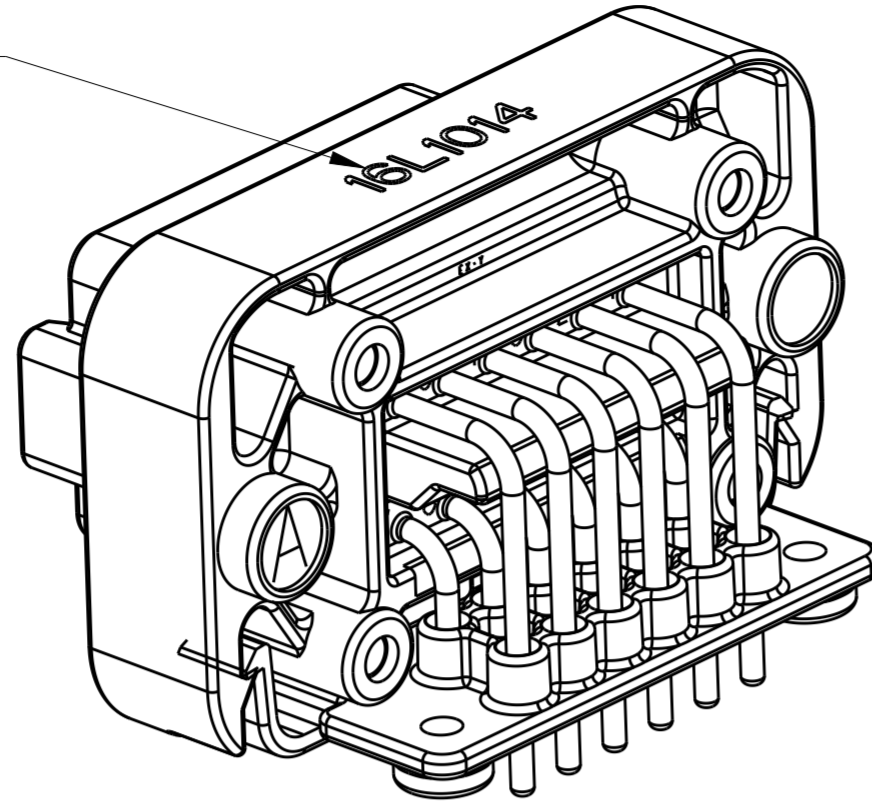
| TE INTERNAL PN | DEUTSCH PN |
|----------------|------------|
| DT13-12PA      | DT13-12PA  |
| DT13-12PB      | DT13-12PB  |
| DT13-12PC      | DT13-12PC  |
| DT13-12PD      | DT13-12PD  |

THIS DRAWING IS A CONTROLLED DOCUMENT.

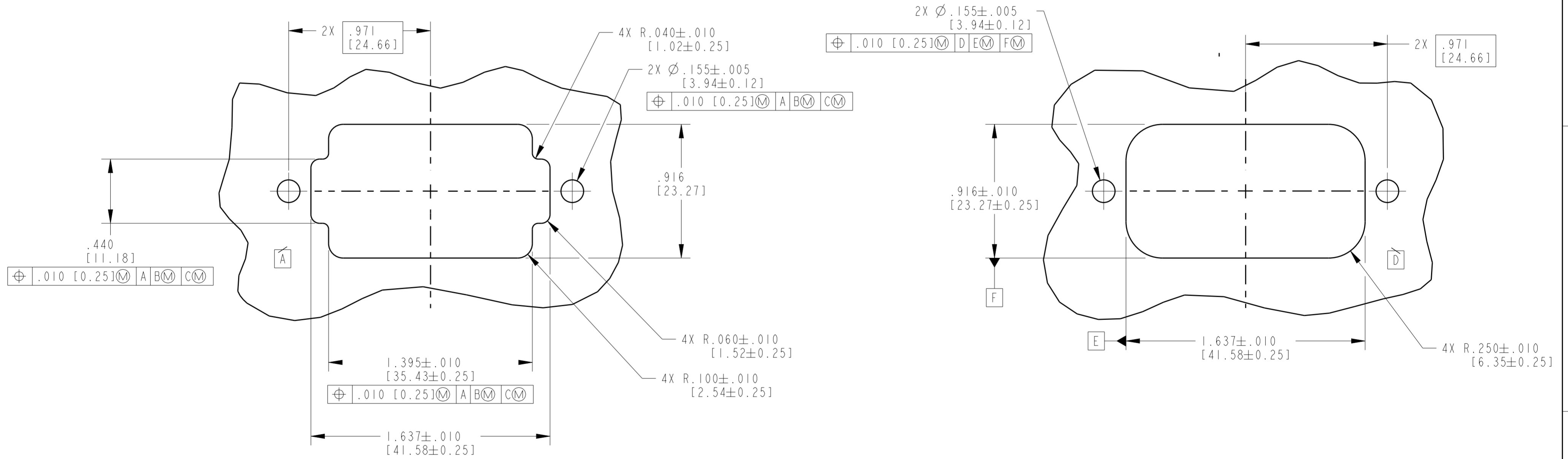
|                        |   |   |  |
|------------------------|---|---|--|
| DIMENSIONS:<br>in [mm] | TOLERANCES UNLESS OTHERWISE SPECIFIED:<br>0 PLC ±<br>1 PLC ±<br>2 PLC ±<br>3 PLC ±.025 [0.64]<br>4 PLC ±<br>ANGLES ±0°30'0" | DWN P. BURKE 06 JUN 2001<br>CHK K. MCKEE 03 JUL 2014<br>APVD D. MEYER 03 JUL 2014 | TE Connectivity<br>NAME RECEPTACLE HEADER<br>12 PIN, 90 DEG<br>DT SERIES |
| MATERIAL               | FINISH  | PRODUCT SPEC 108-151009<br>APPLICATION SPEC                                       |  |
| CUSTOMER DRAWING       |   | WEIGHT 59.8 (g)   | SCALE 2:1 SHEET 1 OF 3 REV D1  |

| REVISIONS |             |             |          |                 |
|-----------|-------------|-------------|----------|-----------------|
| P         | LTR         | DESCRIPTION | DATE     | DWN APVD        |
| ev_sym_1  | 16E6-8H6E11 |             | rev.date | ev_dwn_1 appr_1 |
| ev_sym_2  | rev_desc_2  |             | rev.date | ev_dwn_2 appr_2 |
| ev_sym_3  | rev_desc_3  |             | rev.date | ev_dwn_3 appr_3 |
| ev_sym_4  | rev_desc_4  |             | rev.date | ev_dwn_4 appr_4 |

7 DIGIT DATECODE  
 YEAR: FIRST AND SECOND DIGITS. (16 = 2016)  
 MONTH: THRID DIGIT, EXCLUDING 1. A = JAN.,  
 B = FEB., C = MARCH... (L = NOVEMBER)  
 DAY: FOURTH AND FIFTH DIGITS (10 = 10th DAY)  
 HOUR: SIXTH AND SEVENTH DIGITS (14 = 2-3PM)



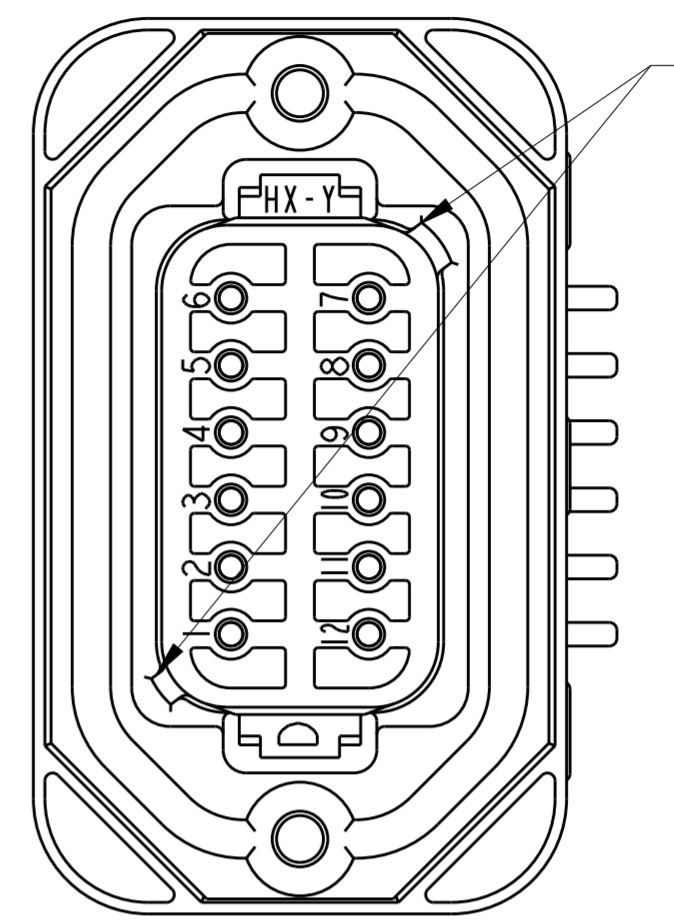
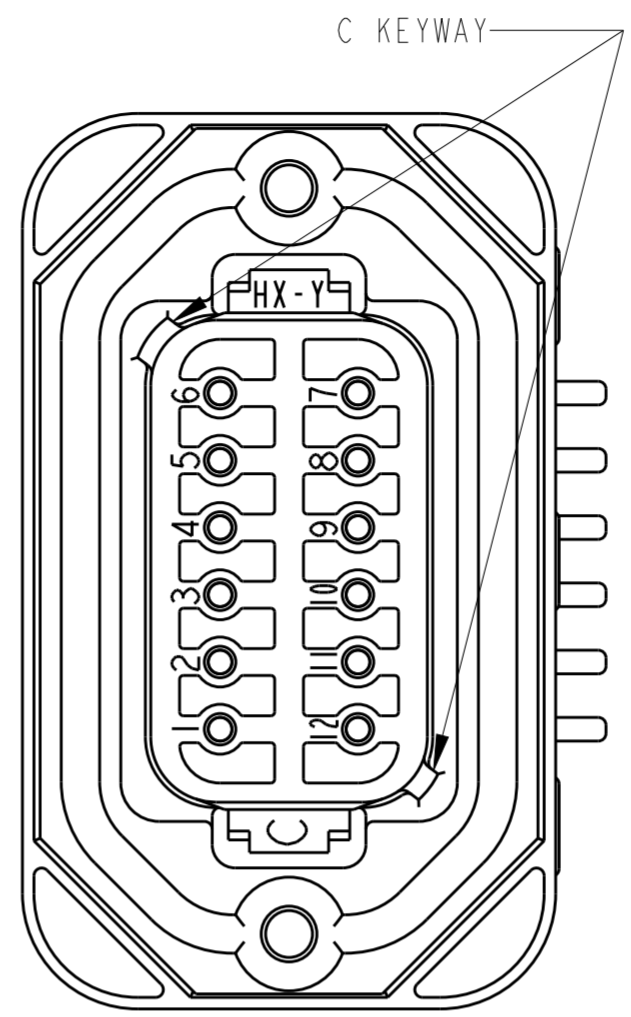
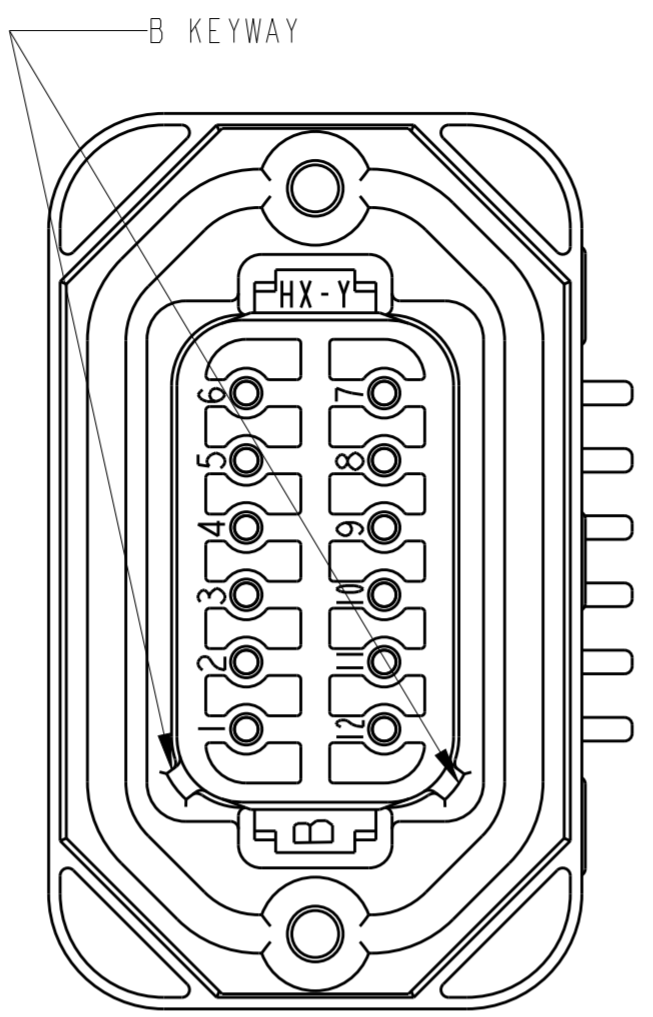
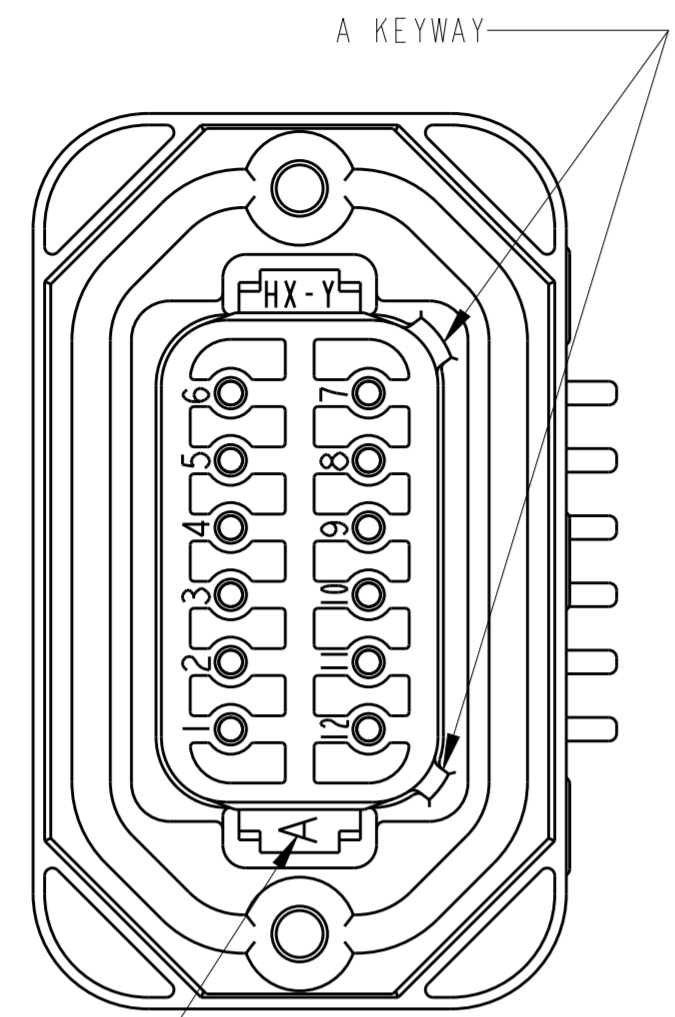
3D VIEW



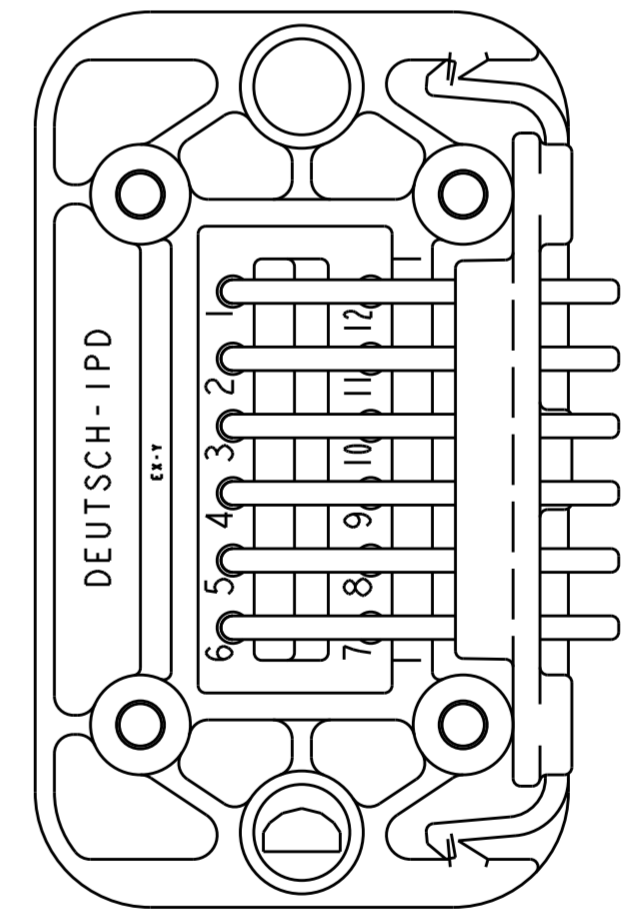
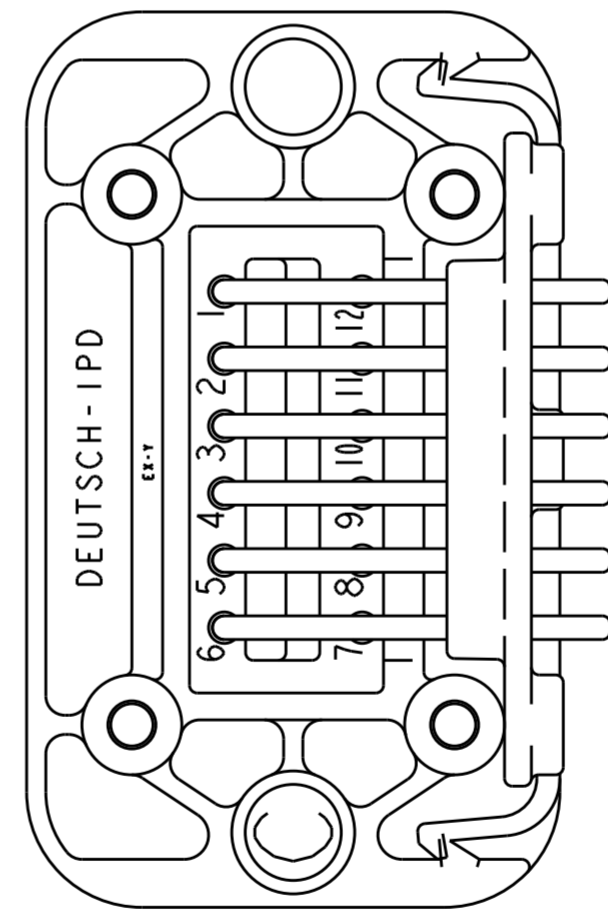
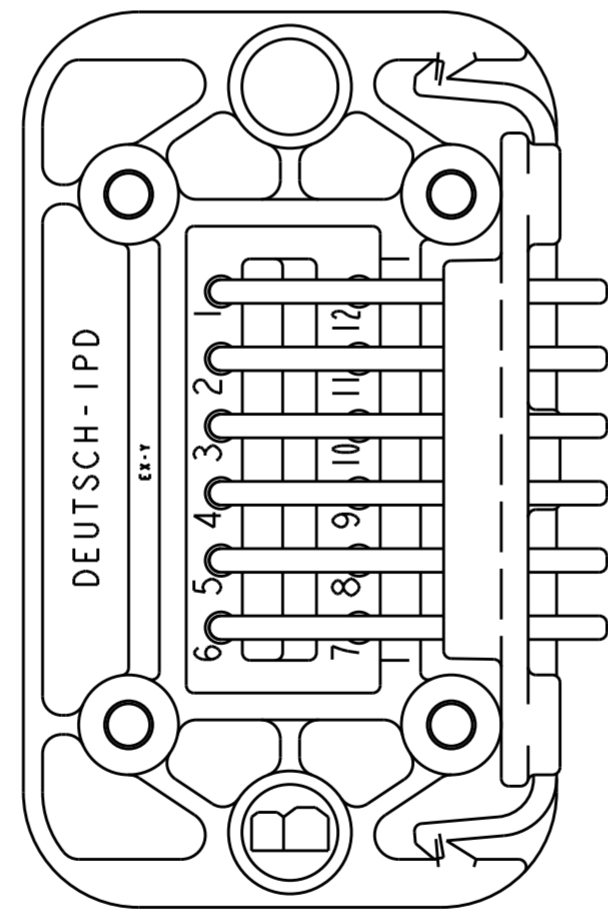
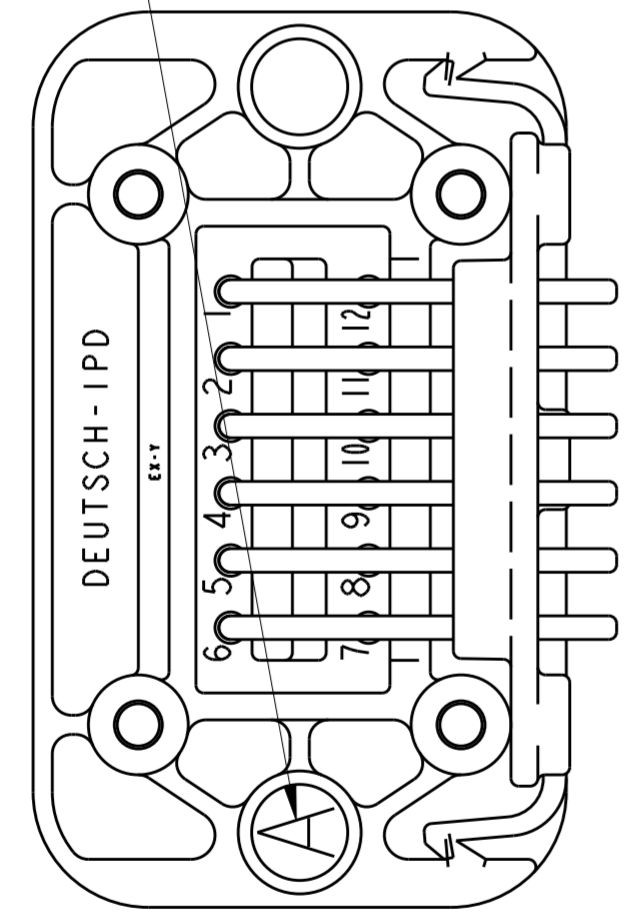
8 RECOMMENDED PANEL CUTOUTS

|   |  |                                 |  |                    |
|---|--|---------------------------------|--|--------------------|
| THIS DRAWING IS A CONTROLLED DOCUMENT.  |  | DWN<br>P. BURKE<br>06 JUN 2001  | TE Connectivity  |                    |
| DIMENSIONS:<br>in [mm]  |  | CHK<br>K. MCKEE<br>03 JUL 2014  |  |                    |
| TOLERANCES UNLESS OTHERWISE SPECIFIED:  |  | APVD<br>D. MEYER<br>03 JUL 2014 | NAME<br>RECEPTACLE HEADER<br>12 PIN, 90 DEG<br>DT SERIES |                    |
| 0 PLC ±<br>1 PLC ±<br>2 PLC ±<br>3 PLC ±.025 [0.64]<br>4 PLC ±<br>ANGLES ±0°30'0"<br>FINISH - |  | PRODUCT SPEC<br>108-151009      | SIZE<br>A2   | CAGE CODE<br>4AFU8 |
| MATERIAL  |  | APPLICATION SPEC<br>-           | DRAWING NO<br>C-DT13-12PX                                | RESTRICTED TO<br>- |
|   |  | WEIGHT<br>59.8 (g)              | SCALE<br>2:1   | SHEET<br>2 OF 3    |
|   |  | CUSTOMER DRAWING                | REV D1   |                    |

| REVISIONS |              |             |          |          |
|-----------|--------------|-------------|----------|----------|
| P         | LTR          | DESCRIPTION | DATE     | APVD     |
| ev_sym_1  | 16EW-8HBEI11 |             | rev.date | ev_sym_1 |
| ev_sym_2  | 2 rev_desc_2 |             | rev.date | ev_sym_2 |
| ev_sym_3  | 3 rev_desc_3 |             | rev.date | ev_sym_3 |
| ev_sym_4  | 4 rev_desc_4 |             | rev.date | ev_sym_4 |



KEYING ARRANGEMENT INDICATOR, TYP



DT13-12PA  
COLOR GREY

DT13-12PB  
COLOR BLACK

DT13-12PC  
COLOR GREEN

DT13-12PD  
COLOR BROWN

|  |  |                              |                           |               |
|--|--|------------------------------|---------------------------|---------------|
| THIS DRAWING IS A CONTROLLED DOCUMENT. |  | DWN<br>P. BURKE 06 JUN 2001  | TE Connectivity           |               |
| DIMENSIONS:<br>in [mm]                 |  | CHK<br>K. MCKEE 03 JUL 2014  |                           |               |
| TOLERANCES UNLESS OTHERWISE SPECIFIED: |  | APVD<br>D. MEYER 03 JUL 2014 | NAME<br>RECEPTACLE HEADER |               |
| 0 PLC ±                                |  | PRODUCT SPEC                 | 12 PIN, 90 DEG            |               |
| 1 PLC ±                                |  | 108-151009                   | DT SERIES                 |               |
| 2 PLC ±                                |  | APPLICATION SPEC             | SIZE                      | CAGE CODE     |
| 3 PLC ±.025 [0.64]                     |  |                              | A2                        | 4AFU8         |
| 4 PLC ±                                |  | WEIGHT                       | DRAWING NO                |               |
| ANGLES ±0°30'0"                        |  | 59.8 (g)                     | G-DT13-12PX               |               |
| FINISH                                 |  | CUSTOMER DRAWING             | SCALE                     | RESTRICTED TO |
|  |  |                              | 2:1                       | -             |
|  |  |                              | SHEET                     | REV           |
|  |  |                              | 3 OF 3                    | D1            |