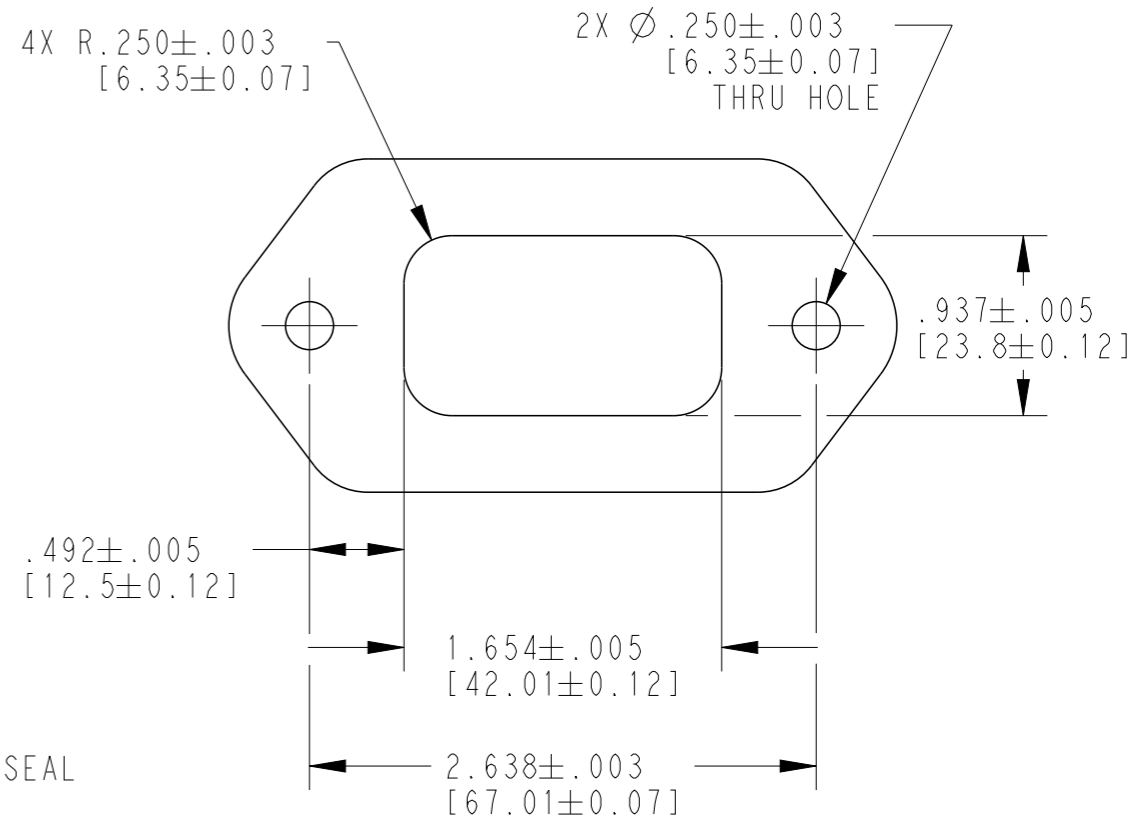
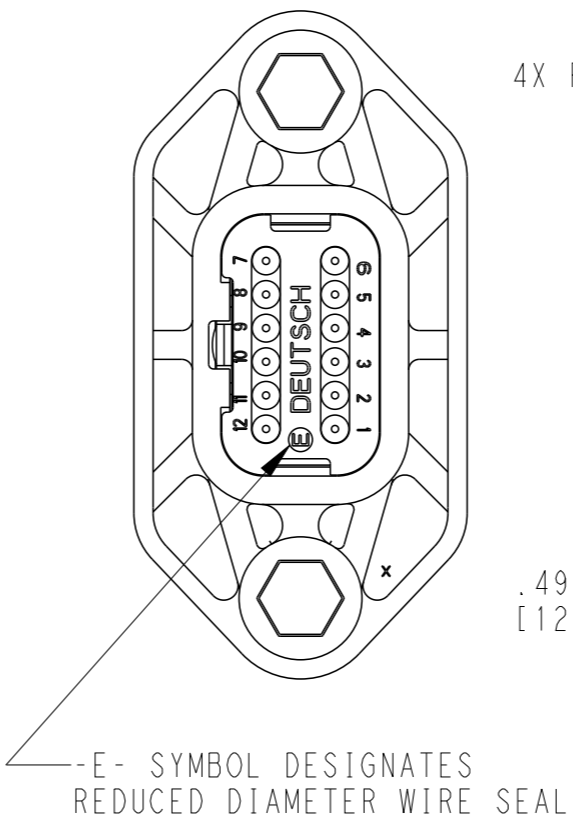
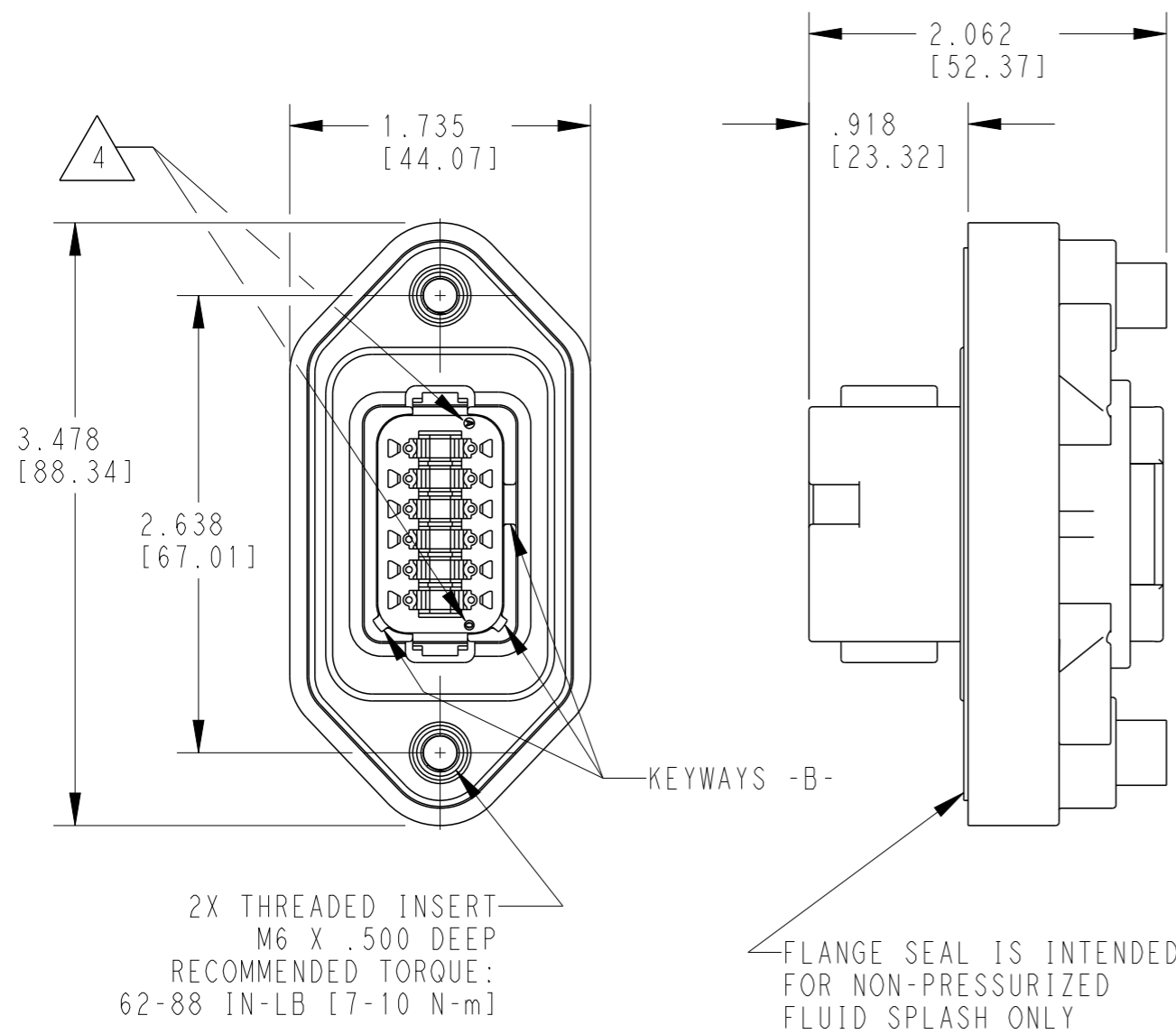


REVISIONS					
P	LTR	DESCRIPTION	DATE	DWN	APVD
	A	REVISED PER PCN E-17-012564	28AUG2017	JA	DM
	B	REVISED PER PCN E-19-014633	13FEB2019	AK	NS



RECOMMENDED PANEL-CUTOUT

4 DATE CODE: MONTH IS REPRESENTED BY SEQUENTIAL ALPHA CHARACTERS. EX: A = JANUARY, YEAR IS REPRESENTED BY LAST NUMERICAL DIGIT. EX: 0 = 2010

3 MATERIAL: HOUSING, CAP: PA66 GF15 (BLACK)
 GROMMET, GASKET: VMQ (BURNT RED)
 INSERTS: STAINLESS STEEL

2. THIS RECEPTACLE MATES WITH DT06-12SB-XXXX PLUG.
 (XXXX = ALL MODIFICATIONS)
 CONSULT FACTORY FOR MODIFICATIONS.

1 FOR CONTACTS AND WIRE PERFORMANCE AND APPLICATION CHARACTERISTICS, SEE ENVELOPE DRAWING 0425-015-0000.

NOTES: UNLESS OTHERWISE SPECIFIED

TE INTERNAL PN	DEUTSCH PN
DT04-12PB-BL11	DT04-12PB-BL11

CONTACT SIZE	MIN. INSUL. O.D.	MAX. INSUL. O.D.	WIRE RANGE [mm ²] REF ONLY
16	.053 [1.35]	.120 [3.05]	14-20 AWG [2.5-0.5]

THIS DRAWING IS A CONTROLLED DOCUMENT.		DWN 11 JUL 2006 A. MALAGON		TE Connectivity	
DIMENSIONS: in [mm]		CHK 01 AUG 2006 R. MESSENGER			
TOLERANCES UNLESS OTHERWISE SPECIFIED:		APVD 08 AUG 2006 S. BEARD		NAME 12 WAY RECEPTACLE WITH ENHANCED KEY DT SERIES	
0 PLC ±		PRODUCT SPEC 108-151009		SIZE A3	
1 PLC ±		APPLICATION SPEC 114-151009		CAGE CODE 4AFU8	
2 PLC ±		WEIGHT 94g		DRAWING NO DT04-12PB-BL11	
3 PLC ±.025 [0.64]		CUSTOMER DRAWING		RESTRICTED TO -	
4 PLC ±		SCALE 1:1		SHEET 1 OF 1	
ANGLES ±		REV B			
FINISH ±					