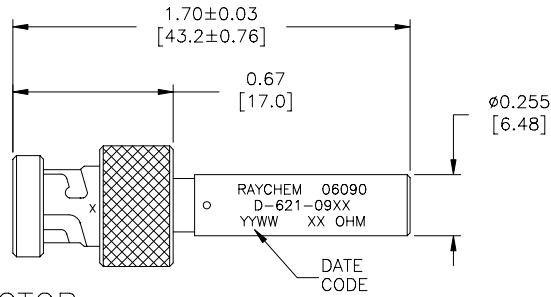
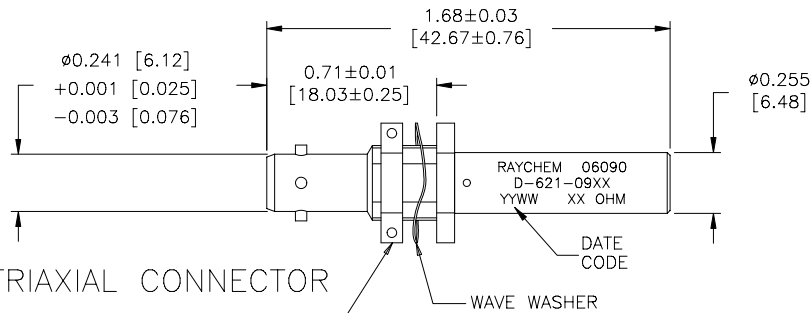


If this document is printed it becomes uncontrolled.  
Check for the latest revision.

REVISION		
REV	DESCRIPTION	DATE
B	REVISED PER DCR NUMBER T31910	14JUL2003



PLUG TRIAXIAL CONNECTOR



JACK TRIAXIAL CONNECTOR

PANEL NUT, 7/16 HEX  
TO BE TORQUED TO  
10-15 INCH/POUNDS  
AT INSTALLATION

SPECIFICATION CONTROL DRAWING

UNLESS OTHERWISE SPECIFIED  
DIMENSIONS ARE INCHES. METRIC  
DIMENSIONS ARE IN BRACKETS.

DRAWN  
T RATZLAFF  
DATE  
11JUL2003



TYCO ELECTRONICS  
300 CONSTITUTION DRIVE  
MENLO PARK, CA 94025

Raychem

DECIMAL TOLERANCES  
.XXX ± 0.005 [ 0.13 mm]  
.XX ± 0.010 [ 0.25 mm]  
.X ± 0.020 [ 0.50 mm]

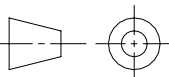
ANGLE TOLERANCE  
.X ± 0.5 DEG.

WEIGHT  
SEE NOTES

MATERIAL

FINISH

THIRD ANGLE  
PROJECTION



TITLE  
DATA BUS TERMINATOR,  
BAYONET CONNECTOR,  
LOW OUTGASSING

SIZE  
A  
CAGE CODE  
06090  
DWG. NO.  
D-621-0953/0984

CAD FILE  
T31910A.DWG

DO NOT SCALE THIS DRAWING

SHEET 1 OF 4

1. MATERIAL AND FINISHES:

- 1.1 ALL MATERIALS MEET TML OF 1% MAX. AND CVCM OF 0.1% MAX. WHEN TESTED IN ACCORDANCE WITH ASTM E-595.
- 1.2 RESISTOR: MIL-PRF-39007/8, 2 WATTS, RESISTANCE AS SHOWN ON PAGE 4.
- 1.3 SOLDER: SN63.
- 1.4 SHIELDED CASE: STAINLESS STEEL, PASSIVATED.
- 1.5 CONNECTOR NUT: BeCu, HEAT TREATED. FINISH: ELECTROLESS NICKEL.
- 1.6 CONNECTOR BODY: BeCu, HEAT TREATED. FINISH: TIN/NICKEL, 65/35.
- 1.7 CONNECTOR DIALECTRIC: POLYETHERSUFONE RESIN
- 1.8 CONNECTOR SPRING: BeCu, HEAT TREATED. FINISH: NICKEL
- 1.9 CONNECTOR WASHER: BeCu, HEAT TREATED. FINISH: ELECTROLESS NICKEL
- 1.10 CONNECTOR RETAINING RING: STAINLESS STEEL, PASSIVATED
- 1.11 CONTACT MEMBERS: BRASS ALLOY 360. FINISH: GOLD.
- 1.12 CONTACT SPRING MEMBER: BeCu, HEAT TREATED. FINISH: ELECTROLESS NICKEL.
- 1.13 CONTACT DIALECTRIC: ETFE FLUOROPOLYMER RESIN.
- 1.14 INTERFACIAL SEAL: SILICONE, LOW OUTGASSING AFTER MANUFACTURING BAKING PROCESS.
- 1.15 POTTING COMPOUND: ABLEBOND 789-3, LOW OUTGASSING

2. APPLICATION:

- 2.1 THIS TERMINATOR IS DESIGNED TO BE INSTALLED INTO A DIGITAL MULTIPLEX HARNESS MEETING THE REQUIREMENTS OF MIL-STD-1553B AND NASA OUTGASSING SPECIFICATION SP-R-0022A.
- 2.2 REFER TO RAYCHEM SPECIFICATION D-6025 FOR PERFORMANCE REQUIREMENTS.
- 2.3 THIS PRODUCT IS NOT INTENDED FOR USE IN HIGH MOISTURE ENVIRONMENTS, NOR INTENDED FOR APPLICATIONS WHERE FLUID IMMERSION IS NECESSARY.

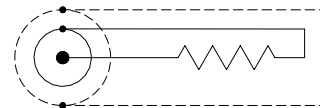
3. TEMPERATURE:

- 3.1 OPERATING TEMPERATURE: -65°C TO +150°C CONTINUOUS.

4. WEIGHT:

- 4.1 PLUG: 16 GRAMS, MAX.
- 4.2 JACK: 14 GRAMS, MAX

ELECTRICAL SCHEMATIC



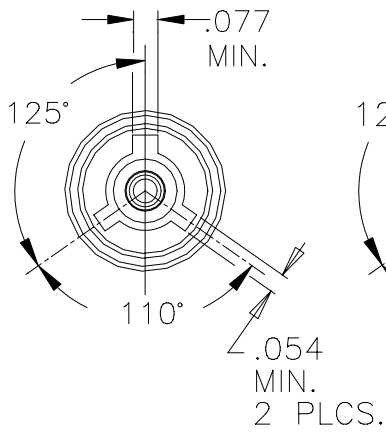
SPECIFICATION CONTROL DRAWING

DRAWN T RATZLAFF	DATE 14JUL2003
CAD FILE T31910B.DWG	

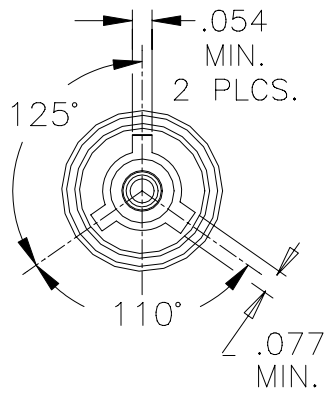


SIZE A	CAGE CODE 06090	DWG. NO. D-621-0953/0984	REV B
DO NOT SCALE THIS DRAWING		SHEET 2 OF 4	

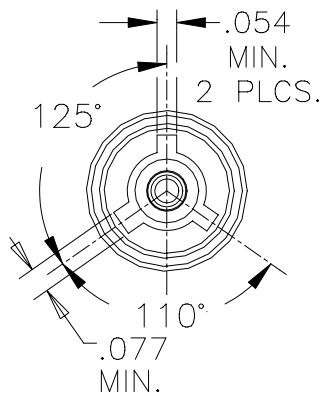
INTERFACE  
"A"  
PLUG



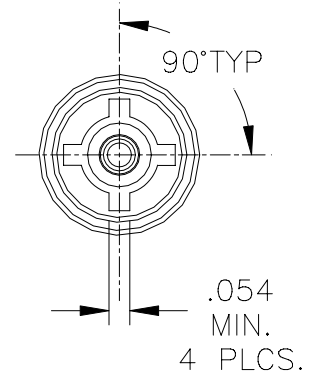
INTERFACE  
"B"  
PLUG



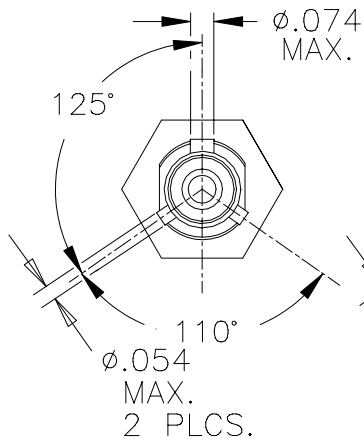
INTERFACE  
"C"  
PLUG



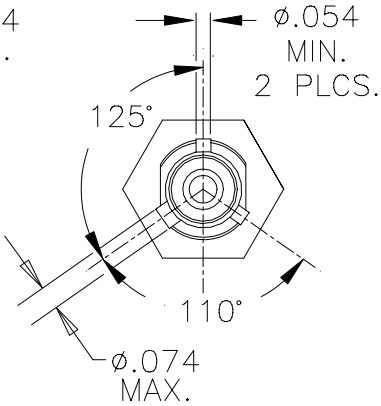
INTERFACE  
"D"  
PLUG



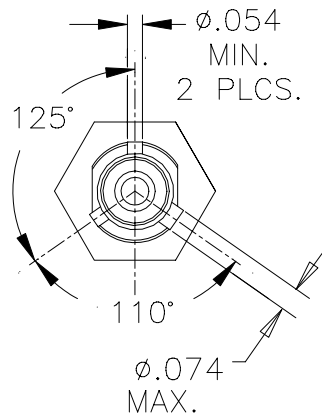
JACK



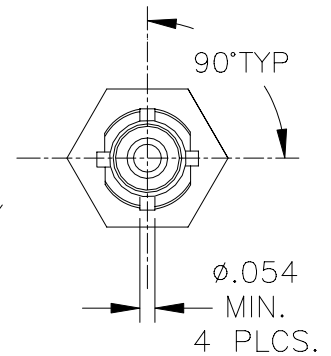
JACK



JACK



JACK



NOTES:

1. MAJOR KEY ORIENTATION WITH RESPECT TO FLATS IS NOT CONTROLLED.

SPECIFICATION CONTROL DRAWING

DRAWN  
T RATZLAFF  
DATE  
14JUL2003

CAD FILE  
T31910C.DWG



SIZE A	CAGE CODE 06090	DWG. NO. D-621-0953/0984	REV B
-----------	--------------------	-----------------------------	----------

DO NOT SCALE THIS DRAWING

SHEET 3 OF 4

DRAWING NO.	DESCRIPTION			RESISTANCE VALUE ±2%
	CONNECTOR	INTERFACE	INSTALLED CONTACT	
D-621-0953	PLUG	"A"	PIN	76.8 OHMS
D-621-0954	PLUG	"B"	PIN	76.8 OHMS
D-621-0955	PLUG	"C"	PIN	76.8 OHMS
D-621-0956	PLUG	"D"	PIN	76.8 OHMS
D-621-0957	PLUG	"A"	PIN	3000 OHMS
D-621-0958	PLUG	"B"	PIN	3000 OHMS
D-621-0959	PLUG	"C"	PIN	3000 OHMS
D-621-0960	PLUG	"D"	SOCKET	3000 OHMS
D-621-0961	JACK	"A"	SOCKET	76.8 OHMS
D-621-0962	JACK	"B"	SOCKET	76.8 OHMS
D-621-0963	JACK	"C"	SOCKET	76.8 OHMS
D-621-0964	JACK	"D"	SOCKET	76.8 OHMS
D-621-0965	JACK	"A"	SOCKET	3000 OHMS
D-621-0966	JACK	"B"	SOCKET	3000 OHMS
D-621-0967	JACK	"C"	SOCKET	3000 OHMS
D-621-0968	JACK	"D"	SOCKET	3000 OHMS
D-621-0969	PLUG	"A"	SOCKET	76.8 OHMS
D-621-0970	PLUG	"B"	SOCKET	76.8 OHMS
D-621-0971	PLUG	"C"	SOCKET	76.8 OHMS
D-621-0972	PLUG	"D"	SOCKET	76.8 OHMS
D-621-0973	PLUG	"A"	SOCKET	3000 OHMS
D-621-0974	PLUG	"B"	SOCKET	3000 OHMS
D-621-0975	PLUG	"C"	SOCKET	3000 OHMS
D-621-0976	PLUG	"D"	PIN	3000 OHMS
D-621-0977	JACK	"A"	PIN	76.8 OHMS
D-621-0978	JACK	"B"	PIN	76.8 OHMS
D-621-0979	JACK	"C"	PIN	76.8 OHMS
D-621-0980	JACK	"D"	PIN	76.8 OHMS
D-621-0981	JACK	"A"	PIN	3000 OHMS
D-621-0982	JACK	"B"	PIN	3000 OHMS
D-621-0983	JACK	"C"	PIN	3000 OHMS
D-621-0984	JACK	"D"	PIN	3000 OHMS

If this document is printed it becomes uncontrolled.  
Check for the latest revision.

SPECIFICATION CONTROL DRAWING

DRAWN T RATZLAFF	DATE 14JUL2003
CAD FILE T31910D.DWG	



SIZE A	CAGE CODE 06090	DWG. NO. D-621-0953/0984	REV B
DO NOT SCALE THIS DRAWING		SHEET 4 OF 4	