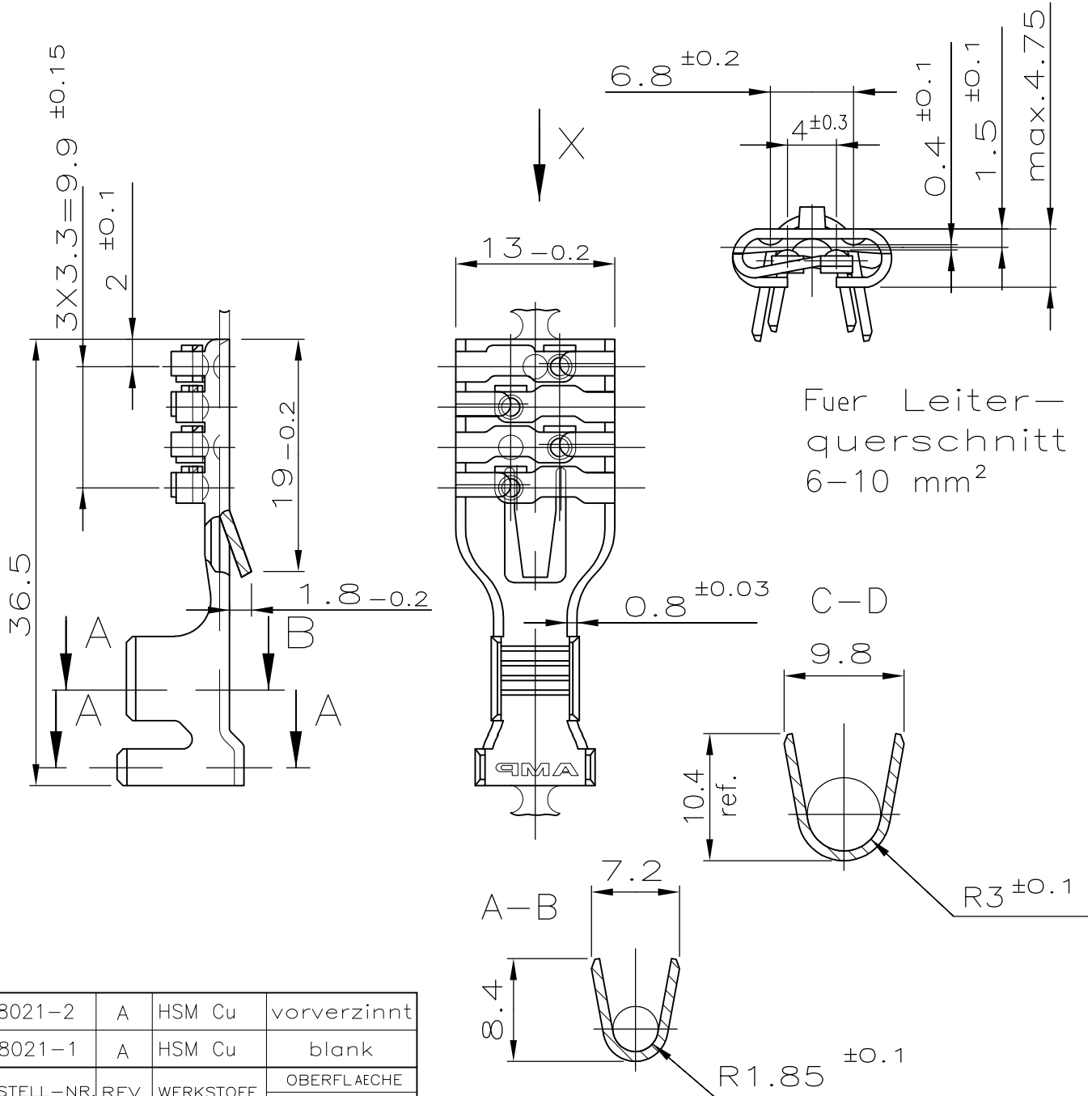


LOC	DIST	REVISIONS			DATE	DWN	APVD
A1	—	P	LTR	DESCRIPTION			
		A2		DIMENSION UPDATED	03JUN2011	PKS	RRP

Ansicht "X"  
VIEW "X"



Fuer Leiter-  
querschnitt  
6-10 mm<sup>2</sup>

RELEASED FOR PUBLICATION

ALL RIGHTS RESERVED.

THIS DRAWING IS UNPUBLISHED.

© COPYRIGHT - By -

968021-2	A	HSM Cu	vorverzinkt
968021-1	A	HSM Cu	blank
BESTELL-NR.	REV.	WERKSTOFF	OBERFLAECHE FARBE

DIMENSIONS:  
mm

DWN B. Buxbaum 19DEC1994

MATERIAL HSM Cu

FINISH

TE Connectivity

TOLERANCES UNLESS OTHERWISE SPECIFIED:

CHK A. Machill 19DEC1994

APVD -

PRODUCT SPEC -

APPLICATION SPEC -

WEIGHT -

NAME  
COMBI-CONTACT  
FUER FLACHSTECKER 6.3-9.5

SIZE	CAGE CODE	DRAWING NO	RESTRICTED TO
A4	00779	C-968021	-

CUSTOMER DRAWING

1.5

SCALE 2:1

SHEET 1 OF 1

REV A2

0 PLC	± -
1 PLC	± -
2 PLC	± 0.2 mm
3 PLC	± -
4 PLC	± -
ANGLES	± 1.5

