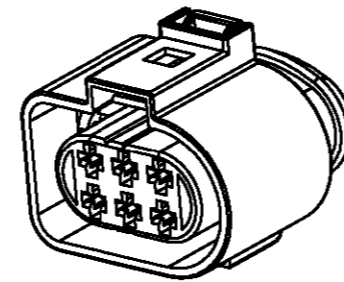
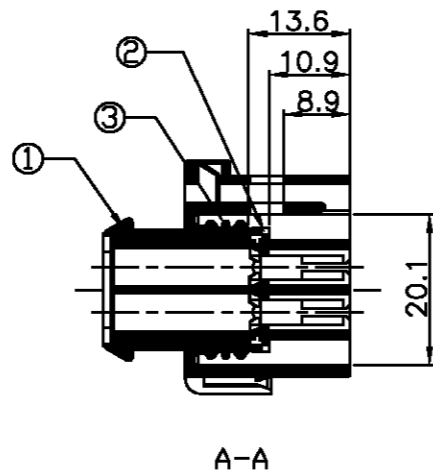
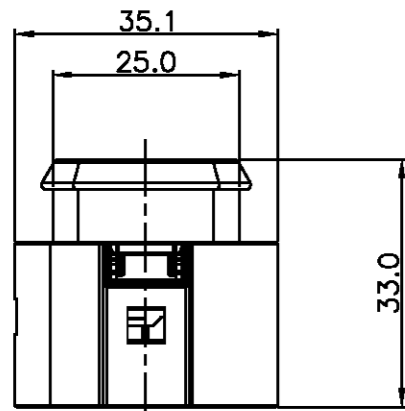


| P | LTR | DESCRIPTION | DATE | DWN | APVD |
|---|-----|------------------------|-----------|-----|------|
| | □ | RELEASED(FC00-0009-02) | 18/JAN/02 | MS | CS |
| | A | RELEASED(FC00-0079-02) | 23/MAY/02 | MS | CS |

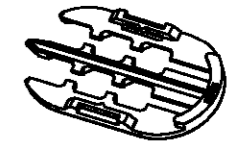


3D VIEW(SCALE 1:1)

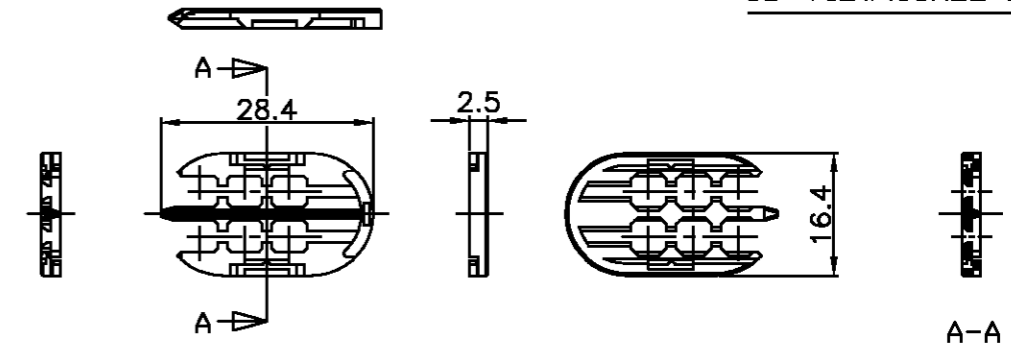
DBL PLATE HSG : P/N:936144-1

NOTE,

- 1) MATERIAL : PBT GF10
- COLOR : WHITE



3D VIEW(SCALE 1:1)



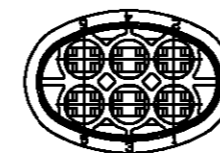
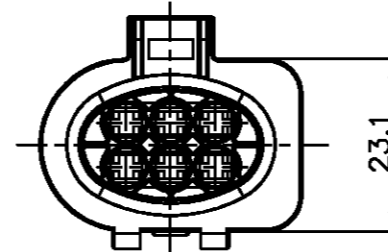
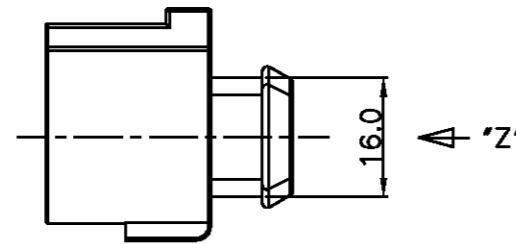
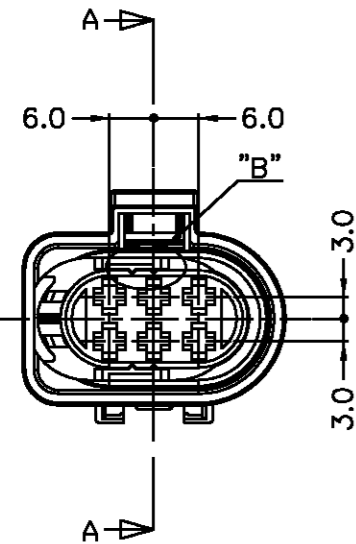
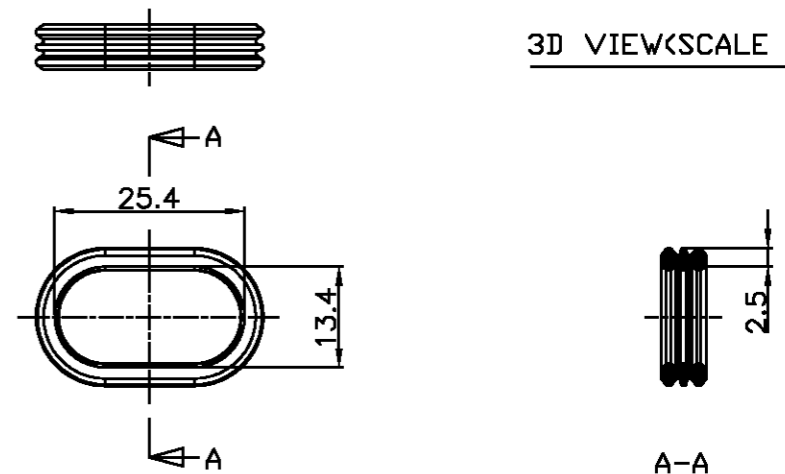
INNER SEAL : P/N:936803-1

NOTE,

- 1) MATERIAL : SILICON,
- COLOR : RED ORANGE(RAL 2001)



3D VIEW(SCALE 1:1)



VIEW "Z"

NOTES

△ CONDITION OF DELIVERY : 1ST. LOCKING CONDITION WITH DBL PLATE OPEN POSITION.

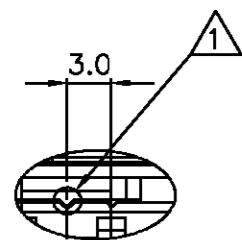
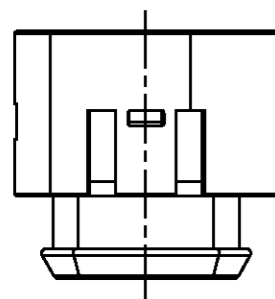
2. APPLIED RECEPTACLE CONTACT P/N:

| CONTACT | JPT |
|--------------------|------------|
| Part NO. | 2-964286-1 |
| WIRE SIZE(mm) | 0.5 - 1.0 |
| WIRE SEAL Part NO. | 0-963294-1 |

3. APPLIED CLIP HSG:

| Part NO. | PANEL THICKNESS | PANEL HOLE SIZE |
|-----------|-----------------|-----------------|
| 936362(A) | 0.7~1.6mm | |
| 85229(A) | 0.7~1.6mm | |
| 368373 | 0.5~4.0mm | |

4. LOCATION OF CIRCUIT NO. : VIEW "Z"



DETAIL "B" SCALE 2:1

THIS DRAWING IS A CONTROLLED DOCUMENT FOR AMP INCORPORATED. IT IS SUBJECT TO CHANGE AND THE CONTROLLING ENGINEERING ORGANIZATION SHOULD BE CONTACTED FOR THE LATEST REVISION.

DWN : MS HER

CHK : BM JANG

APVD : CS LEE

PRODUCT SPEC

APPLICATION SPEC

WEIGHT

DIMENSIONS: MM

TOLERANCES UNLESS OTHERWISE SPECIFIED:

- 0 <XX<10 ± 0.2
- 10 <XX<30 ± 0.25
- 30 <XX ± 0.3
- ANGLES ± 3°

3rd ANGLE PROJECTION

MATERIAL

SEE TABLE

FINISH

| NO. | DESCRIPTION | P/N | MATERIAL | COLOR |
|-----|-------------|----------|----------|------------|
| 3 | INNER SEAL | 936803-1 | SILICON | RED ORANGE |
| 2 | DBL PLATE | 936144-1 | PBT GF10 | WHITE |
| 1 | PLUG HSG | 936143-1 | PBT GF15 | BLACK |



AMP KOREA, kyungsan, korea

JPT 6Pos SEALED CONN'R ASS'Y FOR UEGO SENSOR

SIZE A3 CAGE CODE --- DRAWING NO C= 936142

SCALE 1/1 SHEET 1 OF 1 REV A