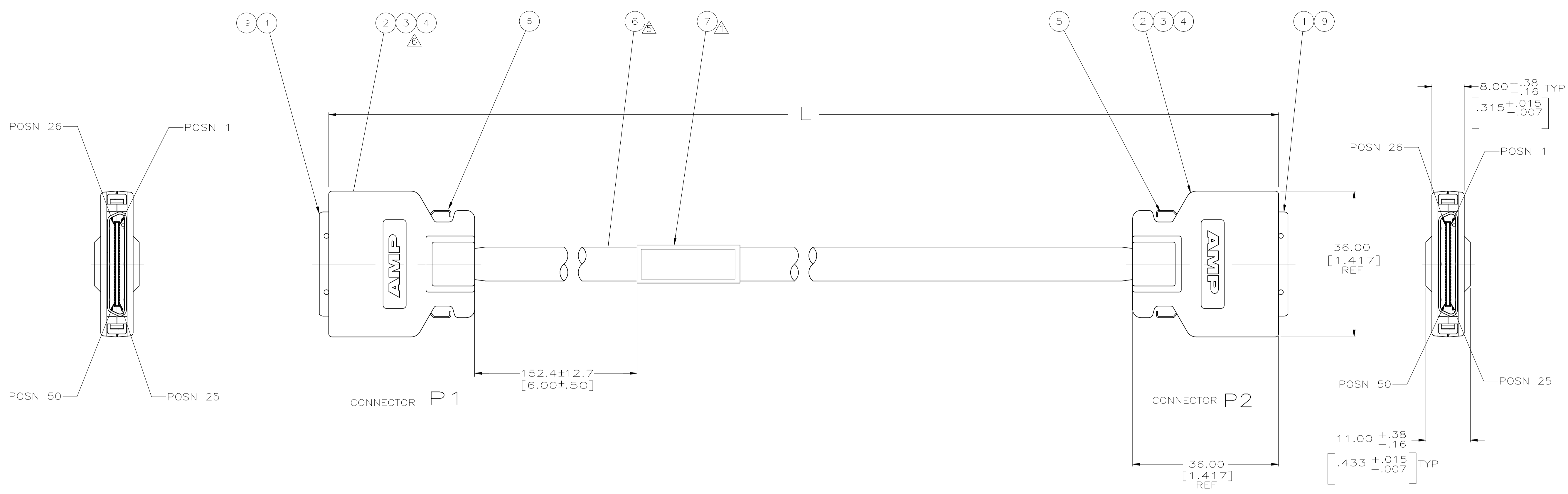


REVISIONS					
P	LTR	DESCRIPTION	DATE	DN	APVO
F1		REVISED PER ECO-21-004167	30MAR2021	SB	RY



1000±25.4	[39.37±1.00]	1-636326-1
13000±76.2	[520.20± 3.00]	636326-6
5000± 50.8	[196.85±2.00]	636326-4
3000± 50.8	[118.11±2.00]	636326-3
2000±25.4	[78.74±1.00]	636326-2
<del>1000±25.4</del>	<del>[39.37±1.00]</del>	<del>636326-1</del>
	L	PART NO

1 LABEL LOCATED APPROXIMATELY WHERE SHOWN.  
LABEL TO READ AS FOLLOWS:

TYCO ELECTRONICS 636326-X YYWW ***	COMPANY NAME TYCO ELECTRONICS P/N DATE CODE COUNTRY OF ORIGIN
---	--

2 REMOVED  
3. SEE SHEET 2 FOR WIRING SCHEMATIC

QTY	DESCRIPTION	ITEM NO
2	PLUG ASSEMBLY, CABLE CONNECTOR, 0.8mm CHAMP	9
-	NOT REQUIRED	8
1	LABEL	7
4.0	CABLE (25) PAIR	6
4	LATCH, SPRING	5
4	BACKSHELL, PLATED	4
4	BACKSHELL COVER	3
4	TERMINAL COVER	2
-	.8MM CHAMP PLUG ASSY	1

THIS DRAWING IS A CONTROLLED DOCUMENT.

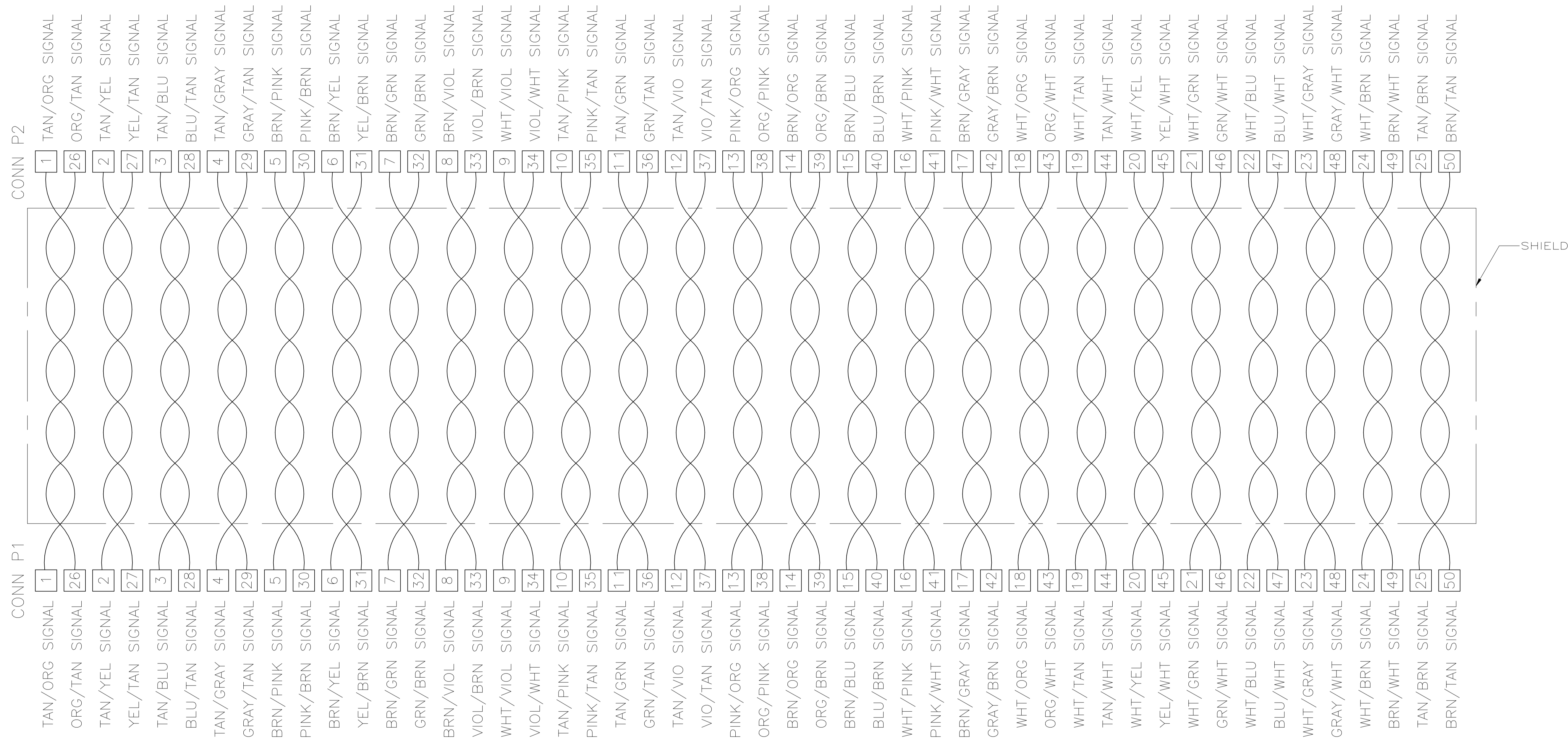
DIMENSIONS: INCHES	TOLERANCES UNLESS OTHERWISE SPECIFIED:	0. PLC ± .005	1. PLC ± .005	2. PLC ± .005	3. PLC ± .005	4. PLC ± .005	ANGLES ± .5°	FINISH
--------------------	--	---------------	---------------	---------------	---------------	---------------	--------------	--------

MATERIAL: - FINISH: -

APPROVED: P. BECKER 20MAR06  
 NAME: CABLE ASSY  
 SIZE: A1 CAGE CODE: 00779 DRAWING NO: 636326  
 WEIGHT: 0 RESTRICTED TO: -  
 CUSTOMER DRAWING SCALE: NTS SHEET 1 OF 2 REV: F1

TE Connectivity Ltd.

# WIRING SCHEMATIC & COLOR CODE



REVISIONS				
P	LTR	DESCRIPTION	DATE	DRN
-	-	SEE SHEET 1	-	-

THIS DRAWING IS A CONTROLLED DOCUMENT.		DRN P BECKER 20MAR06 CHK P BECKER 20MAR06 APVD P BECKER 20MAR06	TE Connectivity Ltd.	
DIMENSIONS: INCHES	TOLERANCES UNLESS OTHERWISE SPECIFIED: 0. PLC ± .010 1. PLC ± .015 2. PLC ± .020 3. PLC ± .030 4. PLC ± .040 ANGLES ± .5°	NAME CABLE ASSY	SIZE A1    CAGE CODE 00779    DRAWING NO. 636326	
MATERIAL -	FINISH -	APPLICATION SPEC - WEIGHT -	RESTRICTED TO - CUSTOMER DRAWING    SCALE NTS    SHEET 2 OF 2    REV F1	