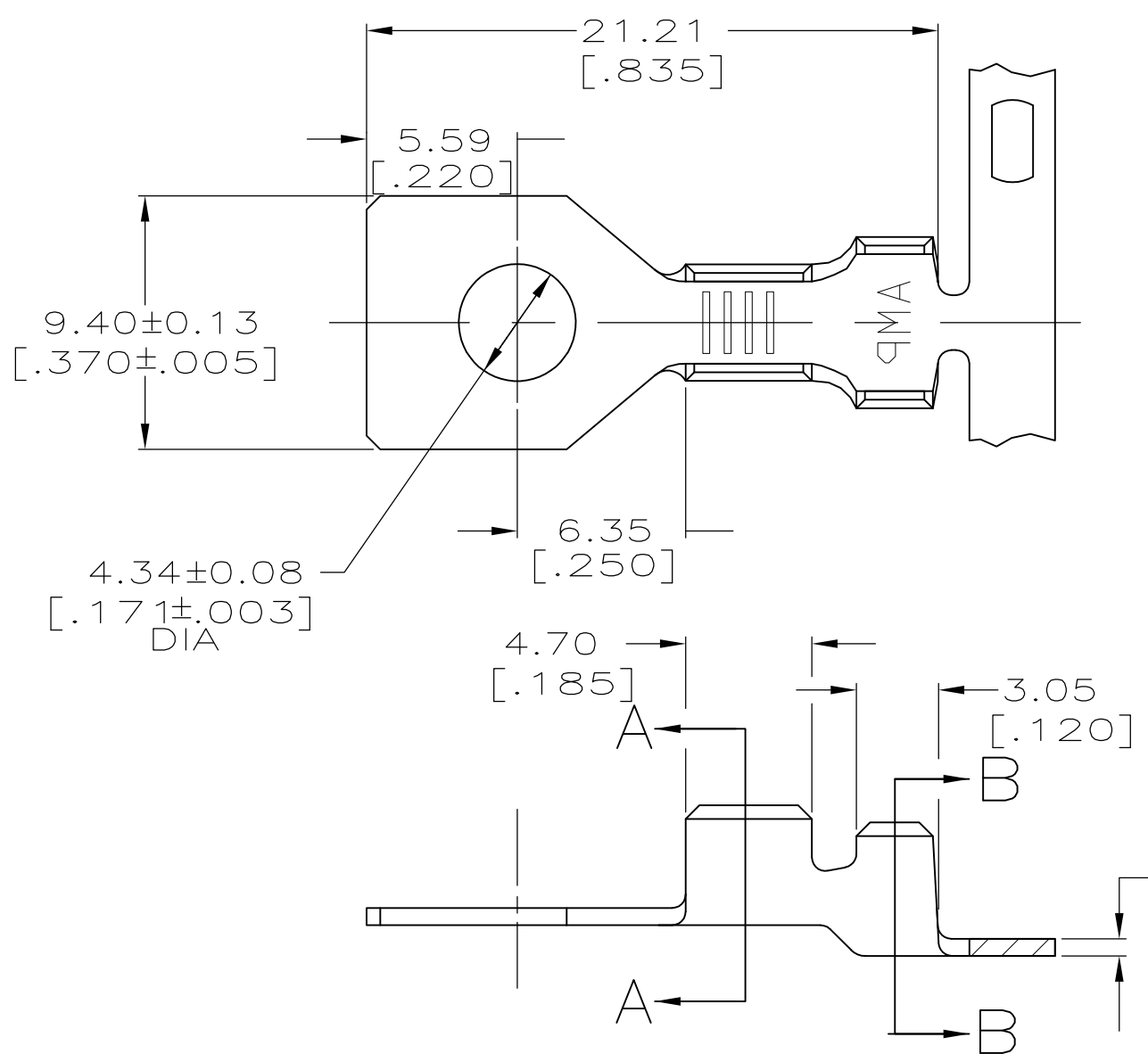
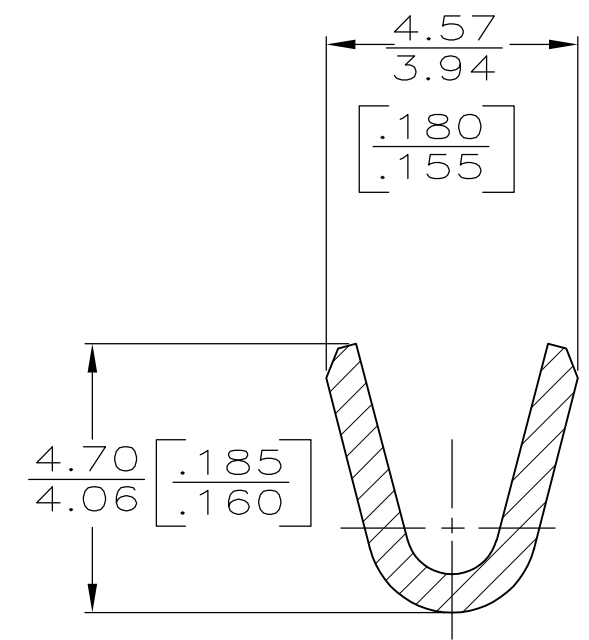


THIS DRAWING IS UNPUBLISHED. RELEASED FOR PUBLICATION
 © COPYRIGHT BY TYCO ELECTRONICS CORPORATION. ALL INTERNATIONAL RIGHTS RESERVED.

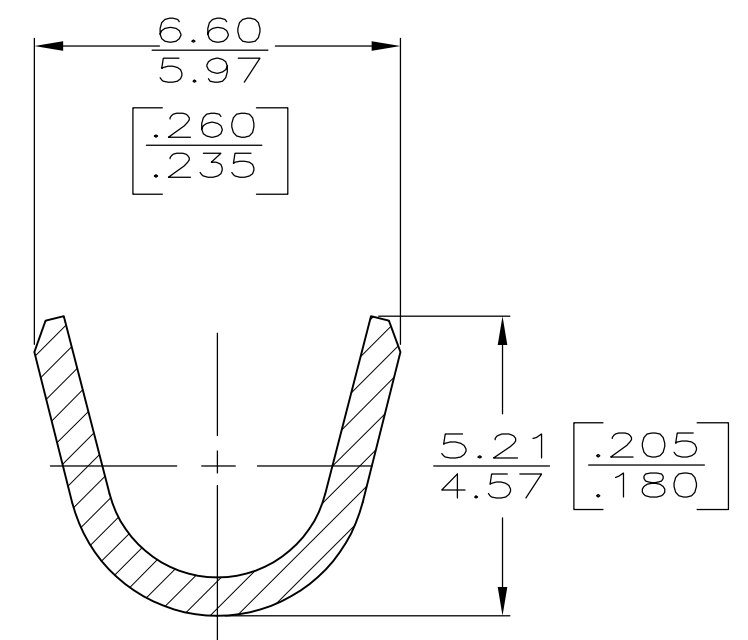
LOC	DIST	REVISIONS					
AF	50	P	LTR	DESCRIPTION	DATE	DWN	APVD
		B1		REVISED PER ECR-09-000368	19JAN09	HMR	DD



1 CONTINUOUS STRIP ON REEL



SECTION A-A
SCALE 8:1



SECTION B-B
SCALE 8:1

OBSOLETE	#2 HARD BRASS	2.16-3.56 DIA [.085-.140]	0.8mm ² -2.0mm ² [18-14] AWG	62975-2
	1/4 HARD PHOS BRONZE			62975-1
	MATERIAL	INSULATION RANGE	WIRE RANGE	PART NO

F or O	5.59 [.220]	6.35 [.250]	F	3.56 [.140]	2.16 [.085]	2.0mm ² [14]
					1.98 [.078]	1.3mm ² [16]
					1.85 [.073]	0.8mm ² [18]
TYPE	WIDTH	STRIP LENGTH ±0.38 [±.015]	TYPE	WIDTH	±0.051 [±.002] HEIGHT	WIRE
INSUL BARREL CRIMP			WIRE BARREL CRIMP			

THIS DRAWING IS A CONTROLLED DOCUMENT.

DIMENSIONS: mm [INCHES]

TOLERANCES UNLESS OTHERWISE SPECIFIED

0 PLC ± - 9/20/90
 1 PLC ± - R KUZO
 2 PL ± -
 3 PLC ± 0.25 [.010]
 4 PLC ± -
 ANGLES ± -

FINISH 0.02032 [.00080] MIN TIN PL PER MIL-T-10727

MATERIAL SEE TABLE

DWN P FORTNEY 9/20/90	Tyco Electronics Tyco Electronics Corporation Harrisburg, PA 17105-3608
CHK JR RUTH 9/20/90	
APVD -	NAME RING
PRODUCT SPEC -	SIZE A3
APPLICATION SPEC -	CAGE CODE 00779
WEIGHT -	DRAWING NO C-62975
CUSTOMER DRAWING	RESTRICTED TO -
SCALE 4:1	SHEET 1 OF 1
REV B1	