

4

3

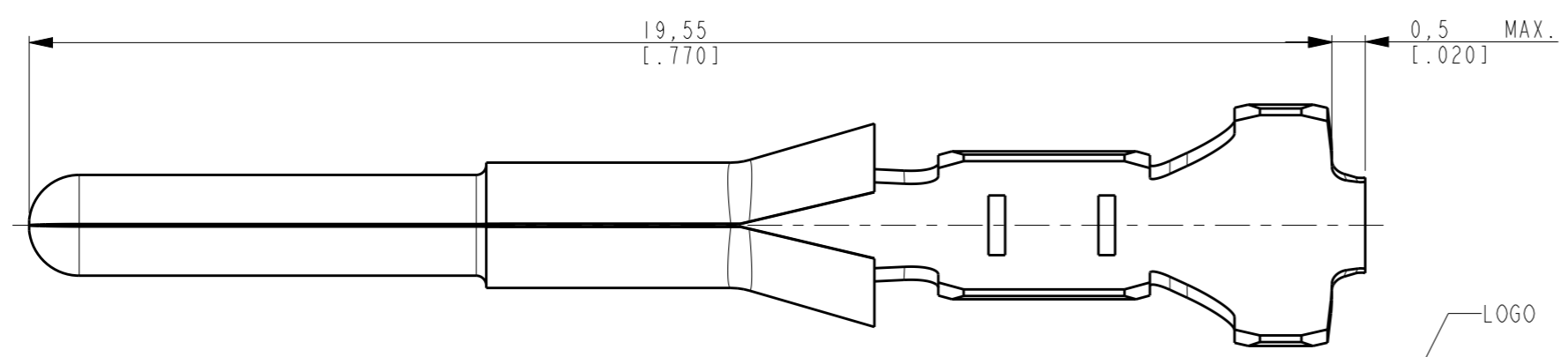
2

1

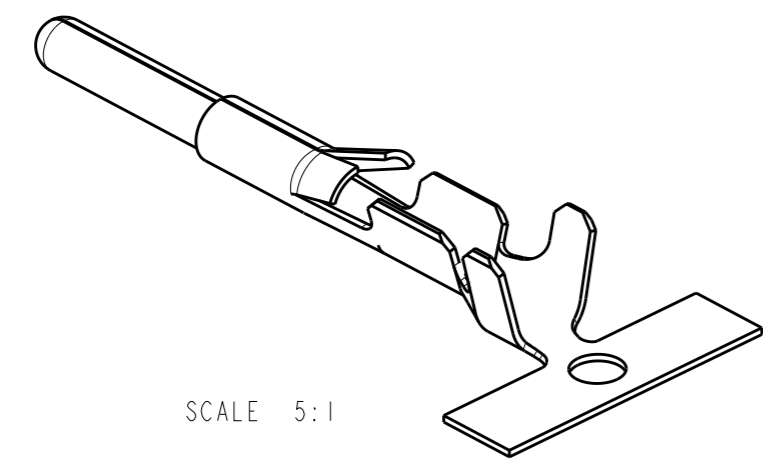
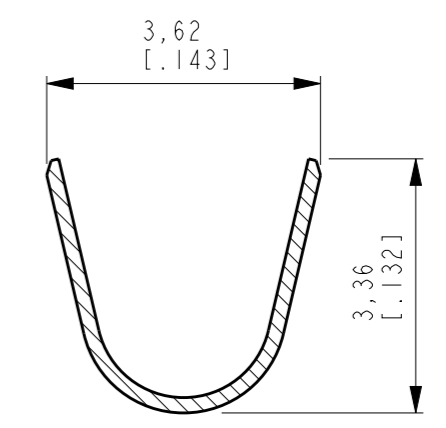
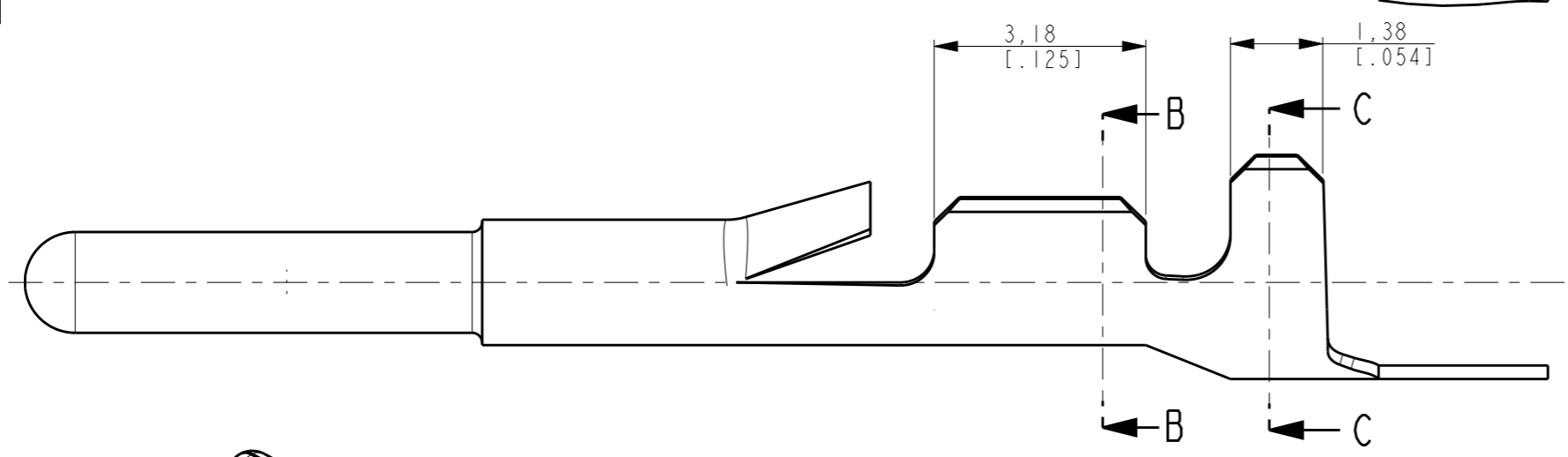
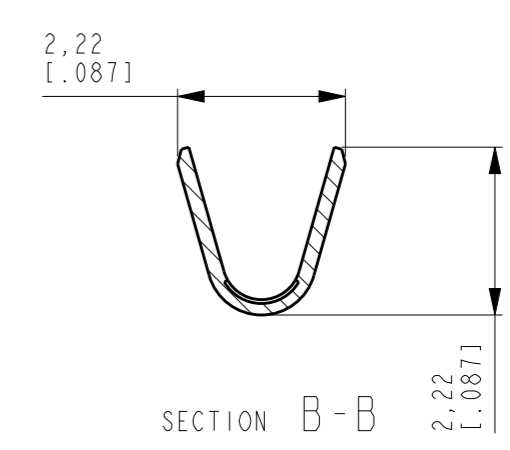
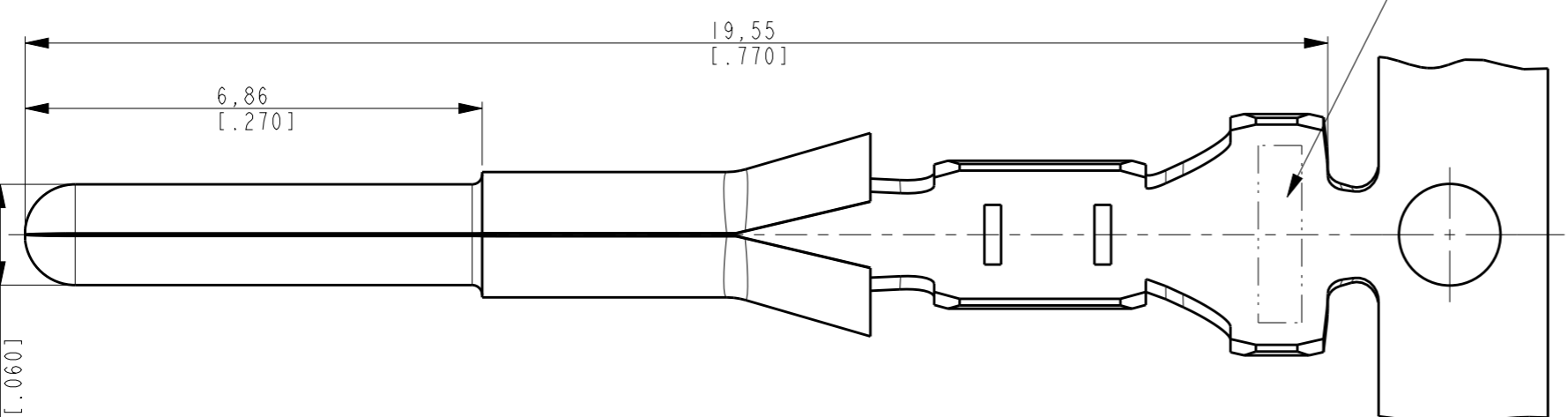
THIS DRAWING IS UNPUBLISHED. RELEASED FOR PUBLICATION 20
 © COPYRIGHT 20 TE ALL RIGHTS RESERVED.

LOC AP DIST -

REVISIONS					
P	LTR	DESCRIPTION	DATE	DWN	APVD
	J	REV. ECO-11-020077	180CT2011	HC	WLS
	J1	REV. BY ECO 13-016867	300CT2013	HC	WLS




NOTES:
 △ WIRE RANGE #22 TO #18 AWG; INSULATION RANGE 1,5 mm TO 2,8 mm [0.060 TO .100 INCH]



FINISH	MATERIAL	DESCRIPTION	PARTNUMBER
POST-TIN OVER NICKEL	BRASS	LOOSE PIECE	61121-1
PRE-TIN	BRASS	STRIP PRODUCT	61062-3
PRE-TIN OVER NICKEL	BRASS	STRIP PRODUCT	61062-1

THIS DRAWING IS A CONTROLLED DOCUMENT.

DWN H.C. CANTERI 11NOV2009	 TE Connectivity	NAME	
CHK W.L. STEFANI 12NOV2009		.060 COMBOLINE PIN	
APVD -	PRODUCT SPEC		RESTRICTED TO
	108-1002		
	APPLICATION SPEC		
	SIZE A3	CAGE CODE 00779	DRAWING NO C-61062
MATERIAL -	CUSTOMER DRAWING		SCALE 10/1
		SHEET 1	OF 1
		REV	J1