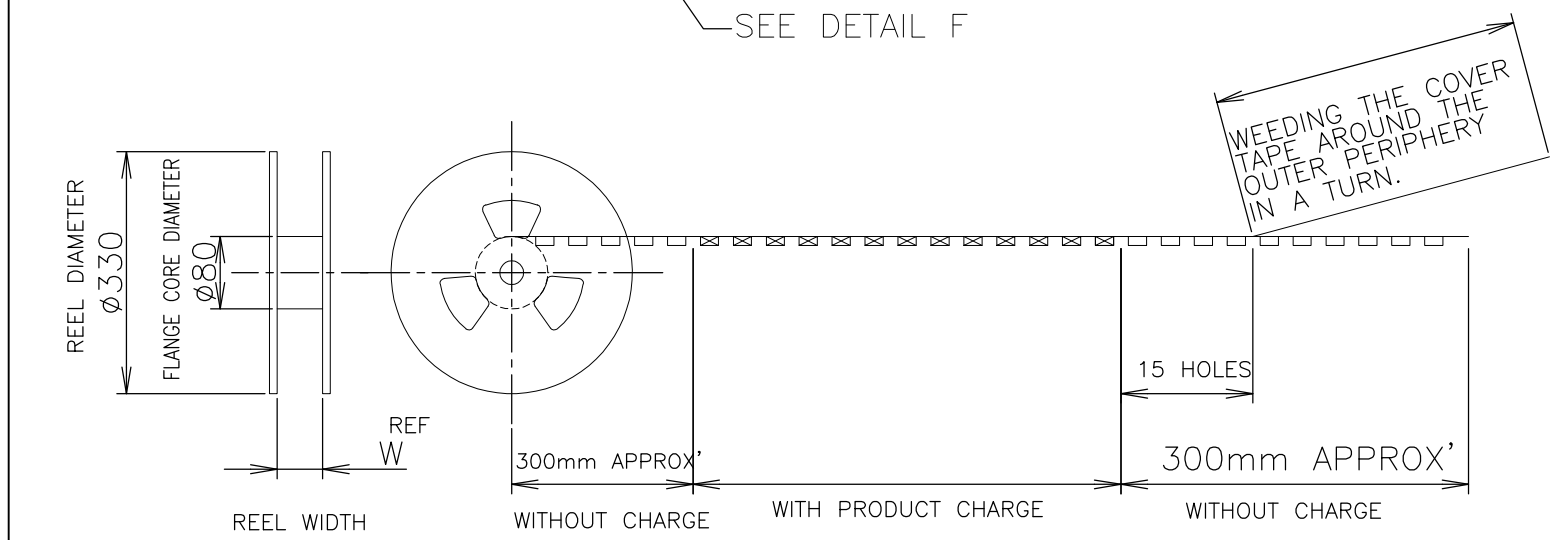
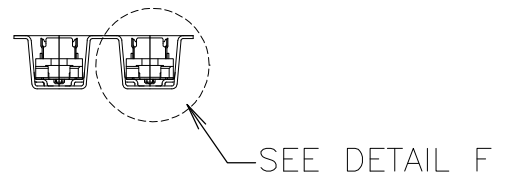
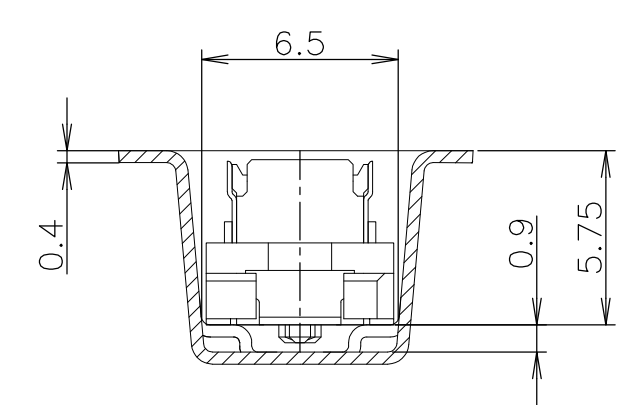
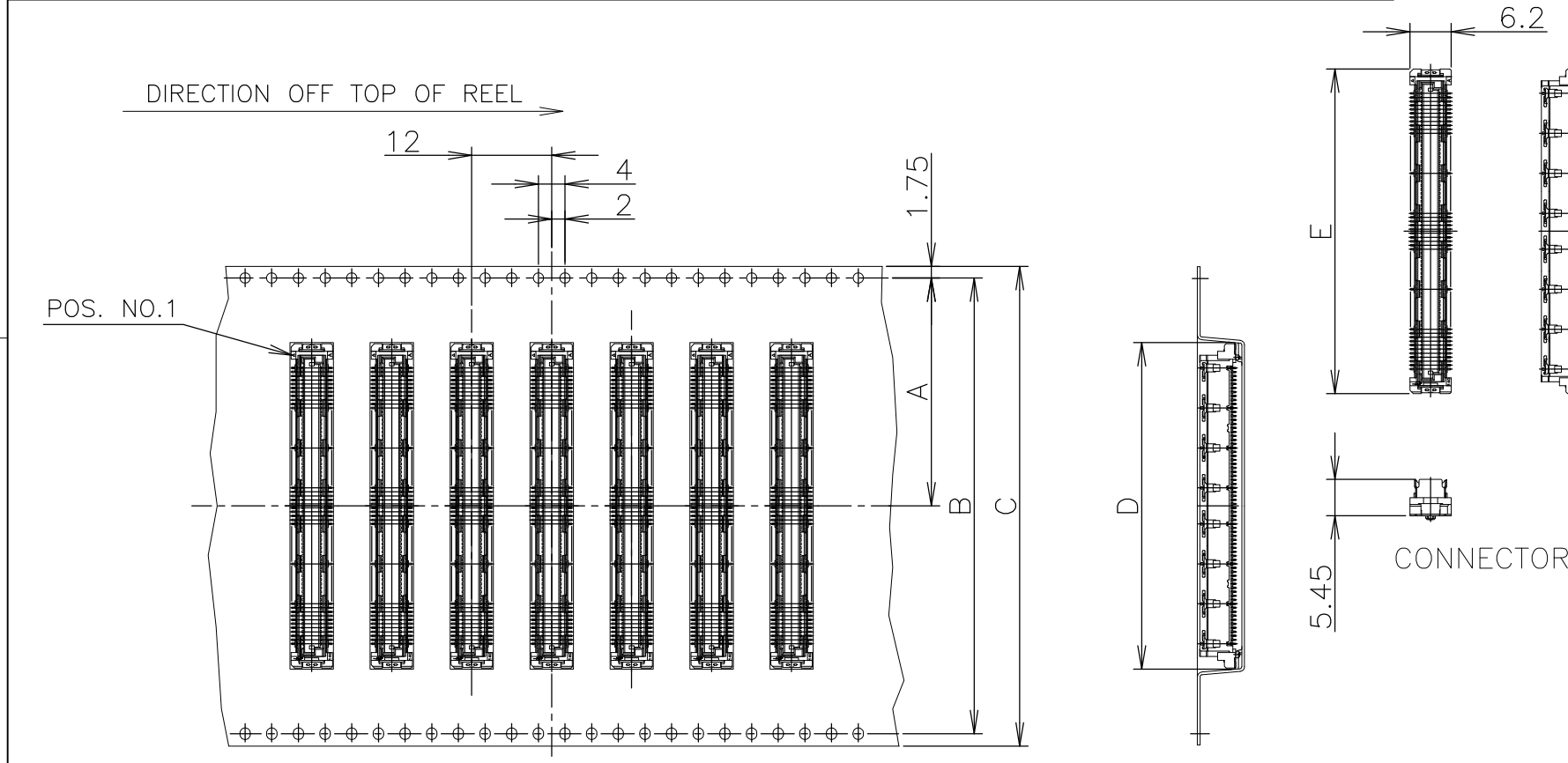


THIS DRAWING IS UNPUBLISHED. RELEASED FOR PUBLICATION JUN , 1996.
 © COPYRIGHT 1996 BY TYCO ELECTRONICS CORPORATION. ALL RIGHTS RESERVED.

LOC	DIST	REVISIONS					
J		P	LTR	DESCRIPTION	DATE	DWN	APVD
		B		REVISED ECR-08-000339	01FEB08	T.T	T.F



SEALANT	TOOLING STATUS	QTY.	W	E	D	C	B	A	POS.	PART NO.
NOT AVAILABLE		800	49.5	24.7	25	44	40.4	20.2	60	7-5353186-4
NOT AVAILABLE			77.5	54.7	55	72	68.4	34.2	160	6-5353186-1
AVAILABLE			77.5	48.7	49	72	68.4	34.2	140	6- -0
NOT AVAILABLE			61.5	42.7	43	56	52.4	26.2	120	5- -9
NOT AVAILABLE			61.5	36.7	37	56	52.4	26.2	100	5- -8
NOT AVAILABLE			61.5	33.7	34	56	52.4	26.2	90	5- -7
AVAILABLE			49.5	30.7	31	44	40.4	20.2	80	5- -6
NOT AVAILABLE			49.5	27.7	28	44	40.4	20.2	70	5- -5
NOT AVAILABLE			49.5	24.7	25	44	40.4	20.2	60	5- -4
NOT AVAILABLE			37.5	21.7	22	32	28.4	14.2	50	5- -3
AVAILABLE			37.5	18.7	19	32	28.4	14.2	40	5- -2
NOT AVAILABLE		800	29.5	15.7	16	24	11.5		30	5-5353186-1
AVAILABLE		800	49.5	24.7	25	44	40.4	20.2	60	2-5353186-4
AVAILABLE			77.5	54.7	55	72	68.4	34.2	160	1-5353186-1
AVAILABLE			77.5	48.7	49	72	68.4	34.2	140	1- -0
NOT AVAILABLE			61.5	42.7	43	56	52.4	26.2	120	-9
AVAILABLE			61.5	36.7	37	56	52.4	26.2	100	-8
NOT AVAILABLE		800	61.5	33.7	34	56	52.4	26.2	90	-7
NOT AVAILABLE			49.5	27.7	28	44	40.4	20.2	70	-5
AVAILABLE			49.5	24.7	25	44	40.4	20.2	60	-4
NOT AVAILABLE			37.5	21.7	22	32	28.4	14.2	50	-3
NOT AVAILABLE			37.5	18.7	19	32	28.4	14.2	40	-2
NOT AVAILABLE		800	29.5	15.7	16	24	11.5		30	5353186-1

- 4 THIS PRODUCT WAS COATED BY FLUX-PENETRATION -INHIDITING AGENT.
- 5 HOUSING COLOR : NATURAL
- 6 HOUSING COLOR : BLACK

THIS DRAWING IS A CONTROLLED DOCUMENT.

DWN	HAWKING HE	20DEC04
CHK	STEVEN YAO	20DEC04
APVD	I.ENOMOTO	20DEC04
PRODUCT SPEC	製品規格	108-60047
APPLICATION SPEC	取付適用規格	114-5255
WEIGHT		

TOLERANCES UNLESS OTHERWISE SPECIFIED: 一般公差

0 PLC	± 0.2
1 PLC	± 0.2
2 PLC	± 0.2
3 PLC	± 0.2
4 PLC	± 0.2
ANGLES	± 5°

FINISH 仕上

MATERIAL 材料

Tyco Electronics Corporation
Kawasaki, Japan

EMBOSS ASSY
FH 0.6BTB CONNECTOR
PLUG 6H WITH G-PLATE

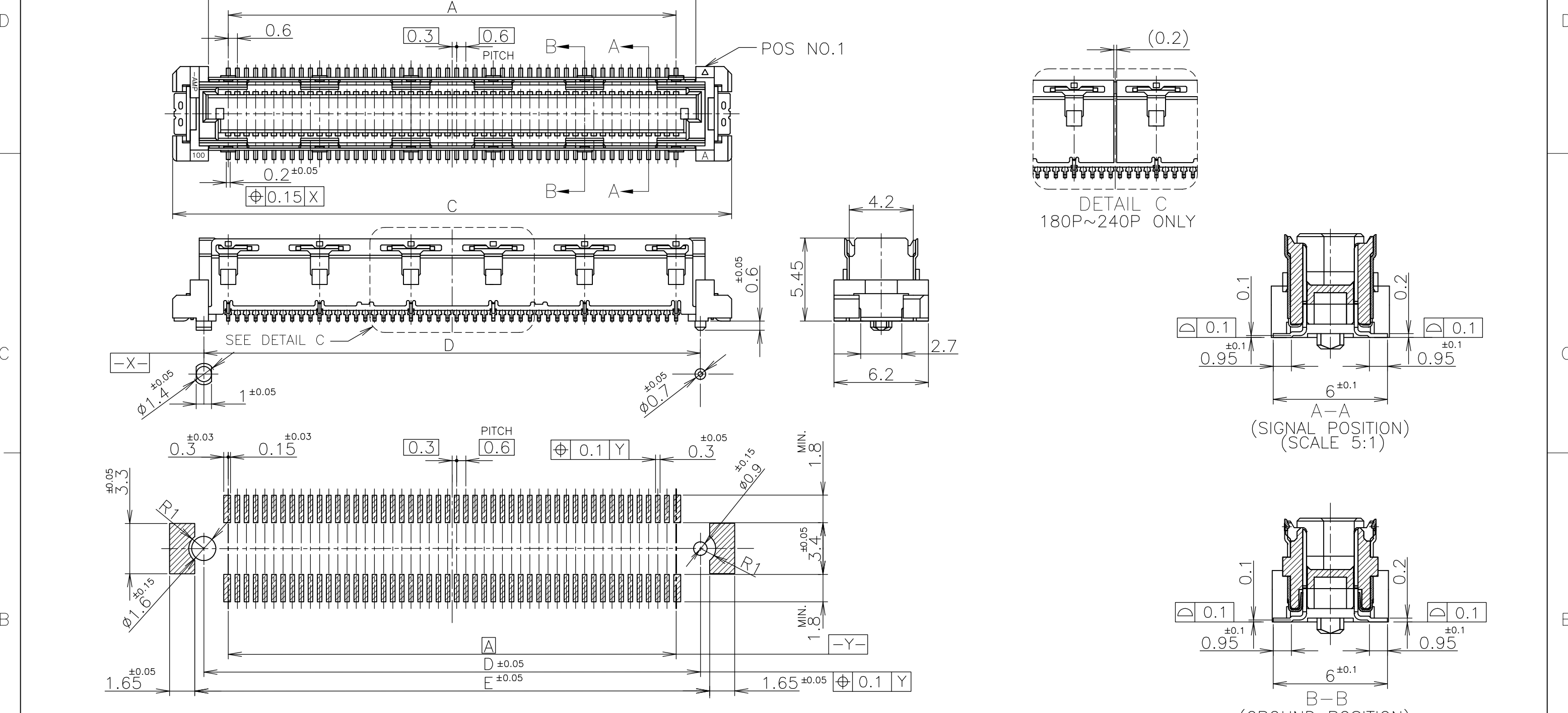
SIZE	CAGE CODE	DRAWING NO	RESTRICTED TO
A3	00779	G-5353186	番号

CUSTOMER DRAWING

SCALE 1:1 SHEET 1 OF 3 REV B

THIS DRAWING IS UNPUBLISHED. RELEASED FOR PUBLICATION JUN ,1996.
 © COPYRIGHT 1996 BY TYCO ELECTRONICS CORPORATION. ALL RIGHTS RESERVED.

LOC	DIST	REVISIONS		
J		P	LTR	DESCRIPTION
				DATE
				DWN
				APVD
		SEE SHEET 1		



AVAILABLE	21.8	20.6	24.7	20	17.4	60
AVAILABLE	51.8	50.6	54.7	50	47.4	160
AVAILABLE	45.8	44.6	48.7	44	41.4	140
NOT AVAILABLE	39.8	38.6	42.7	38	35.4	120
AVAILABLE	33.8	32.6	36.7	32	29.4	100
NOT AVAILABLE	30.8	29.6	33.7	29	26.4	90
AVAILABLE	27.8	26.6	30.7	26	23.4	80
NOT AVAILABLE	24.8	23.6	27.7	23	20.4	70
AVAILABLE	21.8	20.6	24.7	20	17.4	60
NOT AVAILABLE	19.8	17.6	21.7	17	14.4	50
AVAILABLE	15.8	14.6	18.7	14	11.4	40
NOT AVAILABLE	12.8	11.6	15.7	11	8.4	30
TOOLING STATUS	E	D	C	B	A	POS

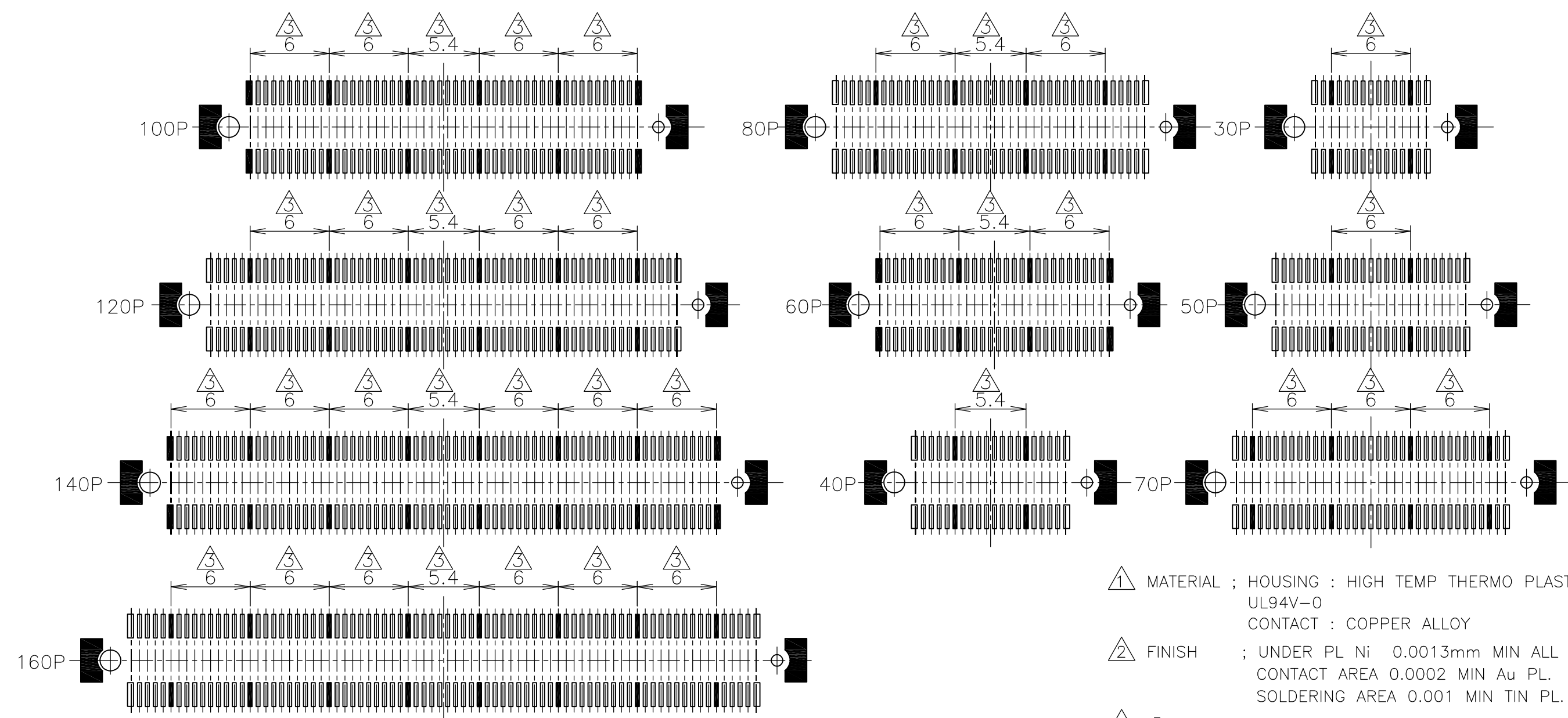
REFERENCE P.C.BOARD LAYOUT

GENERAL TOLERANCE
 一般公差
 10 ≥ ±0.2
 30 ≥ >10: ±0.25
 100 ≥ >30: ±0.3
 ANGLES: ±3°

THIS DRAWING IS A CONTROLLED DOCUMENT.		DWN	Tyco Electronics Corporation Kawasaki, Japan	
DIMENSIONS: 単位: 耗 mm		CHK	NAME 名称	
TOLERANCES UNLESS OTHERWISE SPECIFIED: 一般公差		APVD	EMBOSS ASSY FH 0.6BTB CONNECTOR PLUG 6H WITH G-PLATE	
0 PLC ± - 1 PLC ± - 2 PLC ± - 3 PLC ± - 4 PLC ± - ANGLES ± -		PRODUCT SPEC 製品規格	SIZE	CAGE CODE
MATERIAL 材料		APPLICATION SPEC 取付適用規格	A3	00779
FINISH 仕上		WEIGHT	DRAWING NO 番号	RESTRICTED TO
		CUSTOMER DRAWING	G-5353186	
		SCALE 尺度	SHEET	REV
		4:1	2 OF 3	B

THIS DRAWING IS UNPUBLISHED. RELEASED FOR PUBLICATION JUN ,1996.
 © COPYRIGHT 1996 BY TYCO ELECTRONICS CORPORATION. ALL RIGHTS RESERVED.

LOC	DIST	REVISIONS 変更			DATE	DWN	APVD
J		P	LTR	DESCRIPTION			
			-	SEE SHEET 1	-	-	-



- ① MATERIAL ; HOUSING : HIGH TEMP THERMO PLASTIC UL94V-0
CONTACT : COPPER ALLOY
- ② FINISH ; UNDER PL Ni 0.0013mm MIN ALL OVER.
CONTACT AREA 0.0002 MIN Au PL.
SOLDERING AREA 0.001 MIN TIN PL.
- ③ ■ THIS POSITION IS GROUND CIRCUIT.

GENERAL TOLERANCE
一般公差

10 ≥ : ±0.2
 30 ≥ >10 : ±0.25
 100 ≥ >30 : ±0.3
 ANGLES : ±3°

THIS DRAWING IS A CONTROLLED DOCUMENT.		DWN	Tyco Electronics		Tyco Electronics Corporation Kawasaki, Japan	
DIMENSIONS: 単位: 耗 mm		CHK	NAME 名称		EMBOSS ASSY FH 0.6BTB CONNECTOR PLUG 6H WITH G-PLATE	
TOLERANCES UNLESS OTHERWISE SPECIFIED: 一般公差		APVD	PRODUCT SPEC 製品規格		SIZE	RESTRICTED TO
0 PLC ± - 1 PLC ± - 2 PLC ± - 3 PLC ± - 4 PLC ± - ANGLES ± -		PRODUCT SPEC 製品規格	CAGE CODE	DRAWING NO 番号	A3	
MATERIAL 材料	FINISH 仕上	APPLICATION SPEC 取付適用規格	WEIGHT	C-5353186	SCALE 尺度	SHEET 3 OF 3
①	②	CUSTOMER DRAWING			3:1	REV B