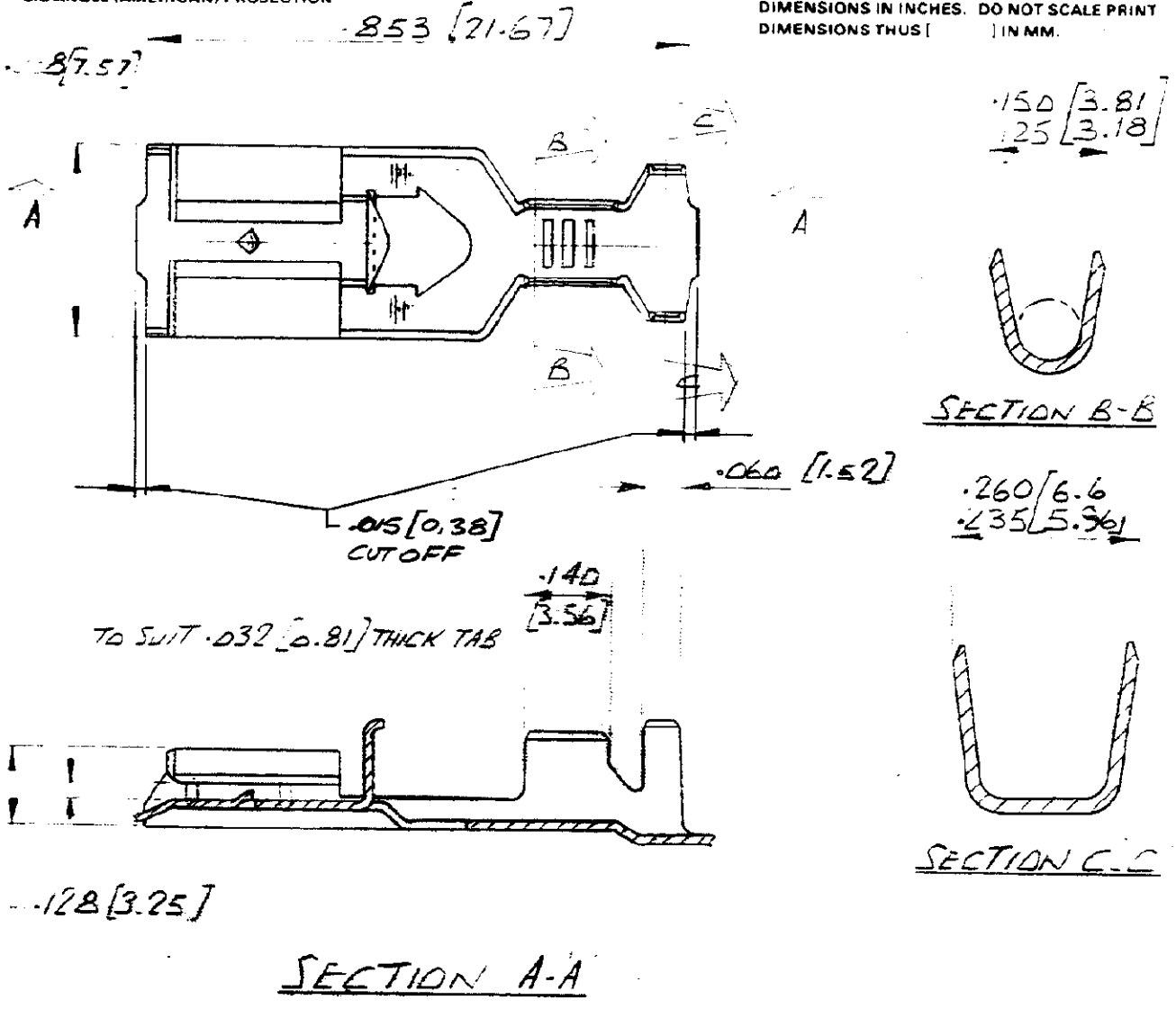


3rd ANGLE (AMERICAN) PROJECTION

DIMENSIONS IN INCHES. DO NOT SCALE PRINT
DIMENSIONS THUS [] IN MM.

NUMBER C-341411



	C-341411-5	NICKEL SILVER	NONE
	C-341411-4	PHOSPHOR BRONZE	PRE-TIN
	C-341411-3	PHOSPHOR BRONZE	NONE
	C-341411-2	BRASS	PRE-TIN
OBSOLETE	C-341411-1	BRASS	NONE
	PART NO	MATERIAL	FINISH

				STE of GREAT BRITAIN LTD 1978		CUSTOMER COPY REFERENCE ONLY	
				MATERIAL AND FINISH SEE TABLE		TE Connectivity	
2	ECR-10-022530	KK	HMR	07FEB11	CLASS		
1	PRELIMINARY ISSUE	JPS	-	3/5/79	TYPE		
ISS	REVISION RECORD	DR	CHK	DATE	WIRE RANGE	INSULATION	LOC
DR	J.P. STOCKWELL	3/5/79	DE	J.P. Stockwell	TOLERANCE EXCEPT AS NOTED	SCALE	NO
CH		APP			.015 [0.38]	1 0 4:1	E A C-341411
				NAME POSITIVE LOCK RECEPTACLE NO II (250) LOOSE PIECE PART			
				REV. 2			

PRINT LIST