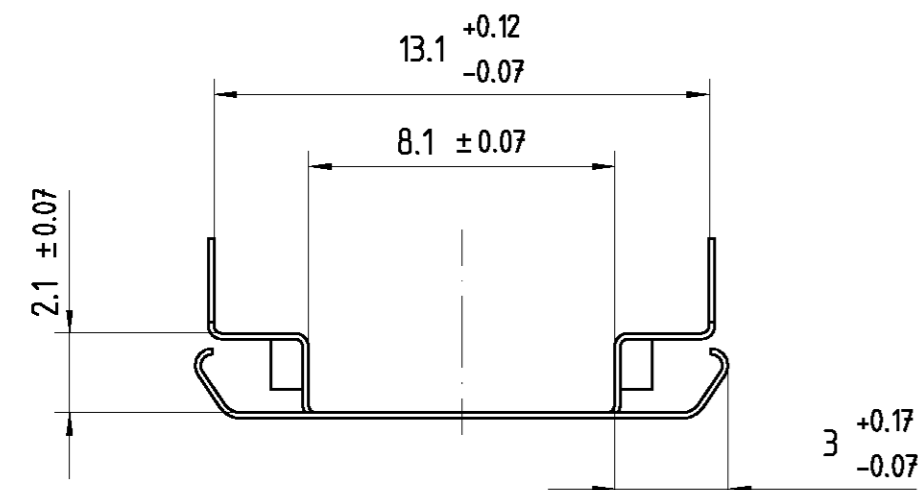
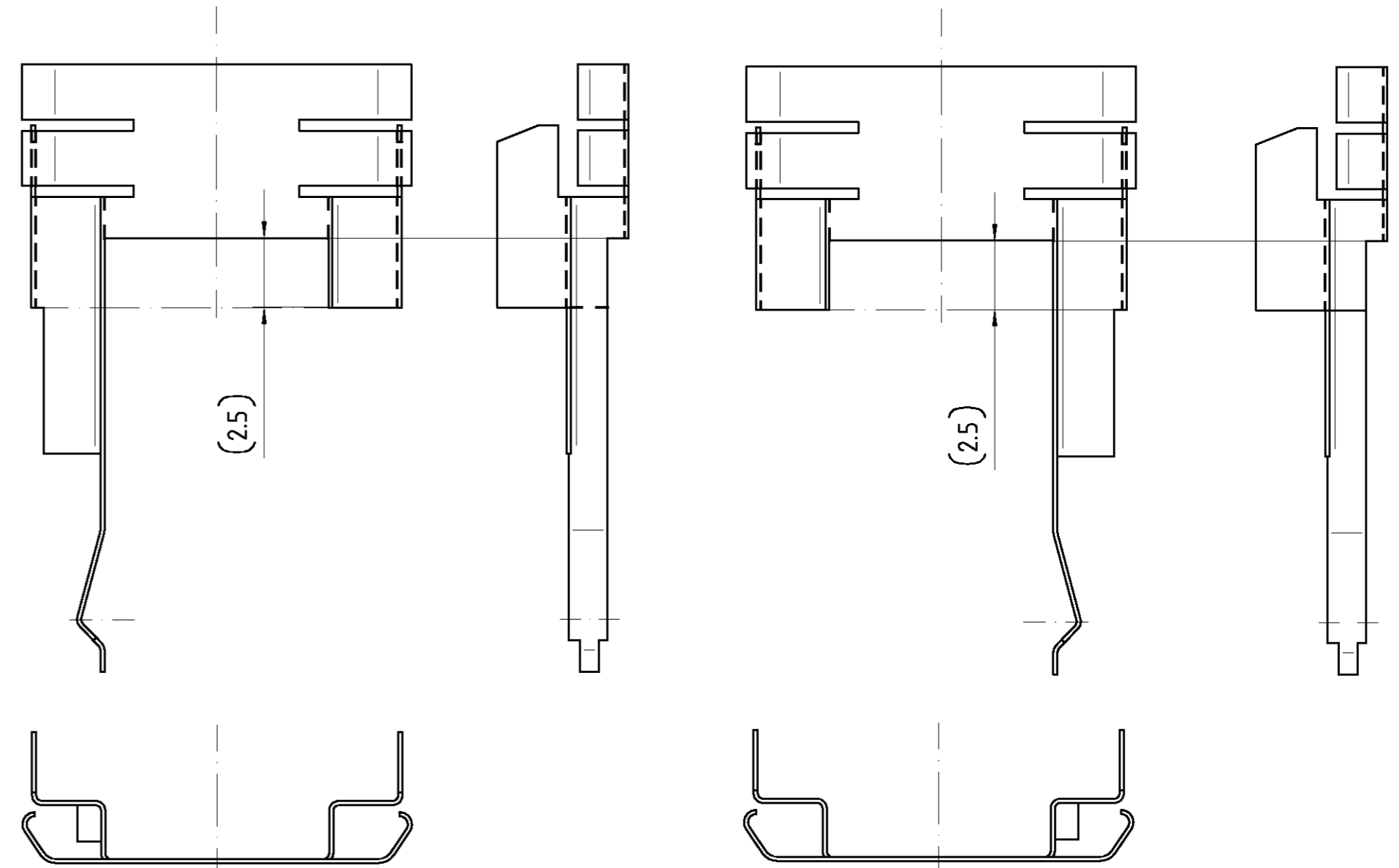
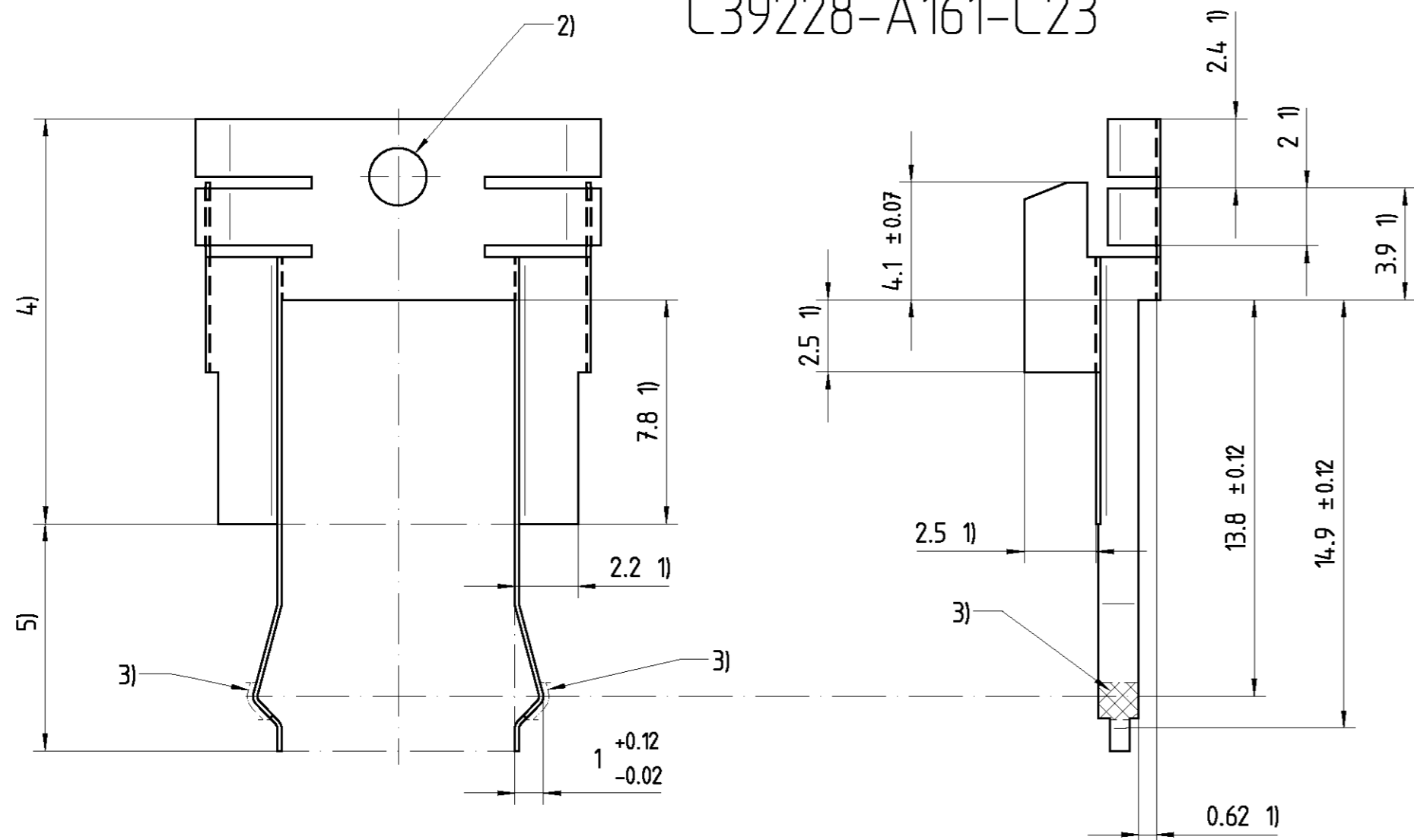


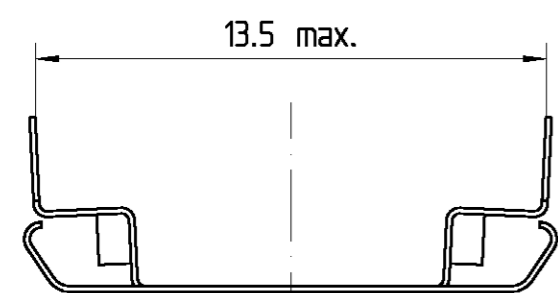
C39228-A161-C23

C39228-A161-C24

C39228-A161-C25



In eingebautem Zustand
Dimension when fitted



Lieferzustand
Delivery condition

- 1) Einbaumaß
Reference dimension
- 2) zulässig
permissible

- 3) Steckbereich:
Oberfläche
Ni + Pd + Au
oder Ni + PdNi + Au
oder Ni + Au
Schutzfilm: HF-Fett oder gleichwertig

Plugging area:
Surface
Ni + Pd + Au
or Ni +PdNi + Au
or Ni + Au
Protective film: HF-grease or equal

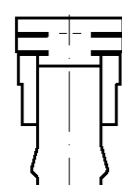
- 4) Oberfläche: min. 1µm Ni
Surface: min. 1µm Ni

- 5) Oberfläche: min. 2µm Ni
Surface: min. 2µm Ni

Active part numbers. Contact
Tyco Electronics for other
configuration availability

Old Part Number	Tyco Part Number
C39228-A161-C23	3-1393610-4
C39228-A161-C24	3-1393610-5
C39228-A161-C25	3-1393610-6

1:1



<small>PROPRIETARY</small> THIS INFORMATION IS CONFIDENTIAL AND PROPRIETARY TO TYCO ELECTRONICS CORPORATION AND ITS WORLDWIDE SUBSIDIARIES AND AFFILIATES. IT MAY NOT BE DISCLOSED TO ANYONE, OTHER THAN TYCO ELECTRONICS PERSONNEL, WITHOUT WRITTEN AUTHORIZATION FROM TYCO ELECTRONICS CORPORATION, HARRISBURG, PENNSYLVANIA USA.		CHANGES TO THIS DRAWING MUST BE DONE ONLY IN CAD	PAPER SIZE A2
APPLICABLE SPEC.:		FINISH	
Tyco Electronics Corporation Oostkamp - Belgium		DIMENSIONS APPLY PLATING SCALE 5:1 1:1 WEIGHT	
MATERIAL		Werkstoff: CuNi18Zn20 Material: CuNi18Zn20	
DATE 20.1.94 NAME C14 Ack APP. EC CS CI PD COM		NAME Kundenzeichnung Erdungsfeder Customer drawing grounding spring	
A WD 00/7010 19.6.00 Vb B WS98/032 10.3.98 Ack 2 F333C14A00 29.11.95 C14 1 E020C14A00 20.1.94 C14	TOLERANCE UNLESS SPECIFIED OTHERWISE		NO. C39228-A161-C23...C25-7427 SHT. 1 OF 1
REV. CHANGE ORDER DATE APP. CUSTOMER DRAWING No.: C 3-1393610-4			