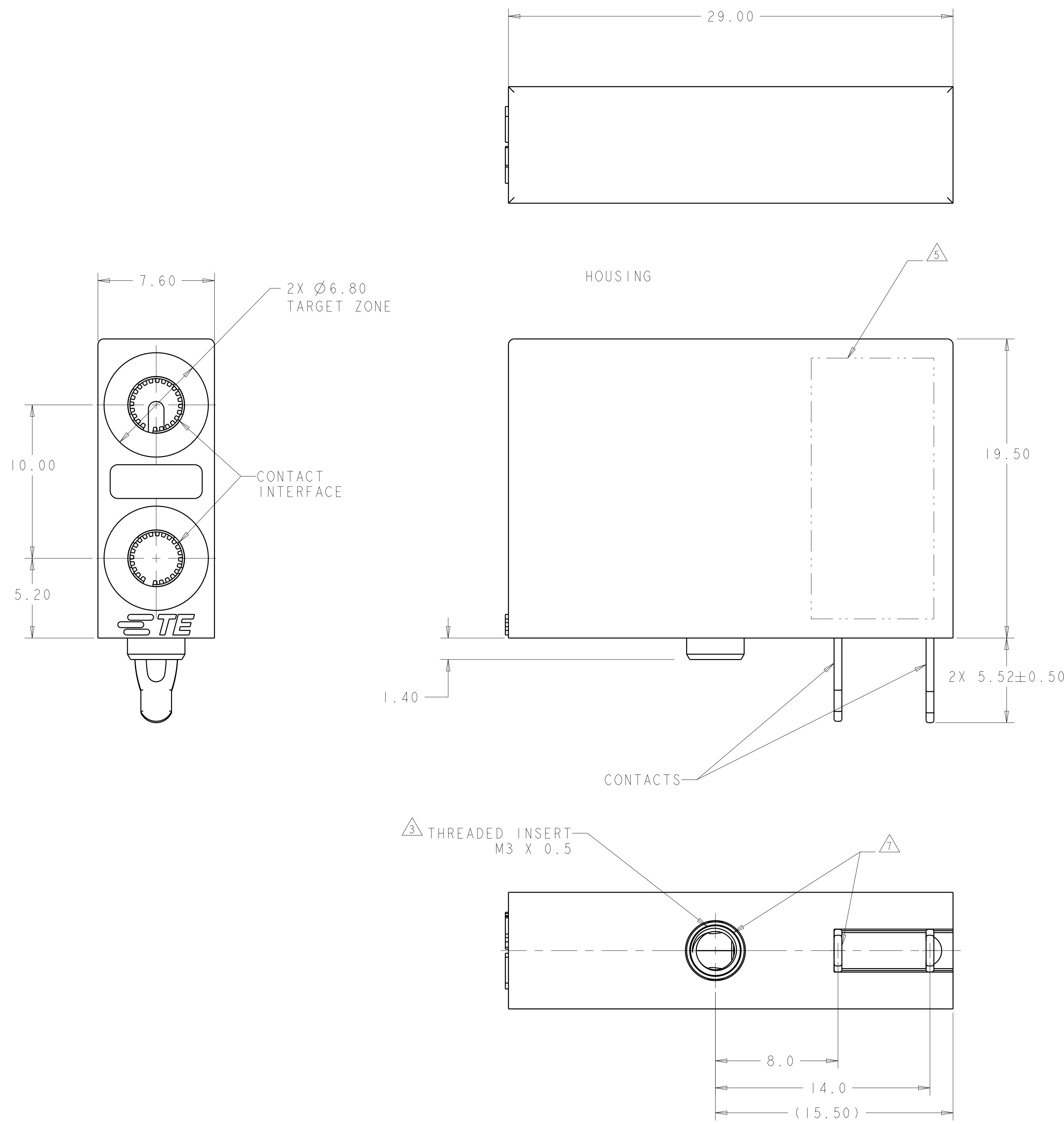


REVISIONS				
REV	LTN	DESCRIPTION	DATE	APVD
B		REV PER ECO-10-013207	23JUN2010	RG DO
C		REV PER ECO-11-004536	04MAR2011	RG DO
D		REV PER ECO-15-018490	28DEC2015	RS SZ



1 MATERIALS:
 HOUSING: POLYESTER PBT THERMOPLASTIC, UL 94 V-0
 CONTACT: COPPER ALLOY
 CONTACT INTERFACE: COPPER ALLOY
 INSERT: COPPER ALLOY

2 FINISH:
 HOUSING: BLACK
 CONTACT: SILVER PLATE, 5.08µm MIN THICK, OVER NICKEL UNDERPLATE
 CONTACT INTERFACE: GOLD PLATE, 0.76µm MIN THICK, OVER NICKEL UNDERPLATE
 INSERT: NICKEL PLATE

3

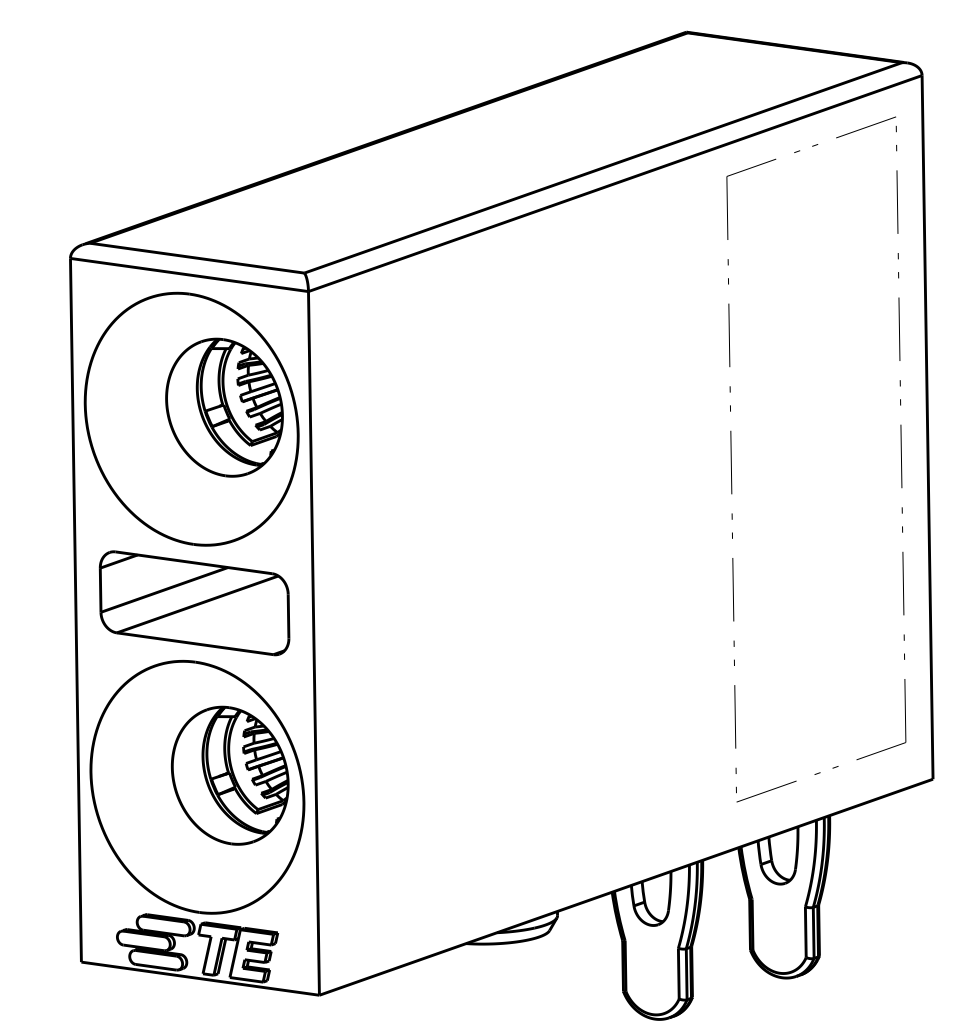
RECOMMENDED M3 SCREW LENGTH	
PCB THICKNESS	SCREW LGTH.
1.57mm [0.062"]	3.00mm
2.36mm [0.093"]	4.00mm
3.18mm [0.125"]	5.00mm

4. THIS PRODUCT HAS NOT BEEN VALIDATION TESTED.
- 5 PART NUMBER AND DATE CODE LABEL TO BE LOCATED APPROXIMATELY AS SHOWN.
- 6 MANUFACTURING TOLERANCE:
 FINISHED HOLE: $\varnothing 2.59 \pm 0.05$
 DRILLED HOLE $\varnothing 2.687 \pm 0.020$
 COPPER PLATING: 0.050 - 0.025
 TIN-LEAD PLATING: 0.015 - 0.004
- 7 THREADED INSERT & LOWER CONTACT MAY BE ELECTRICALLY COMMON.

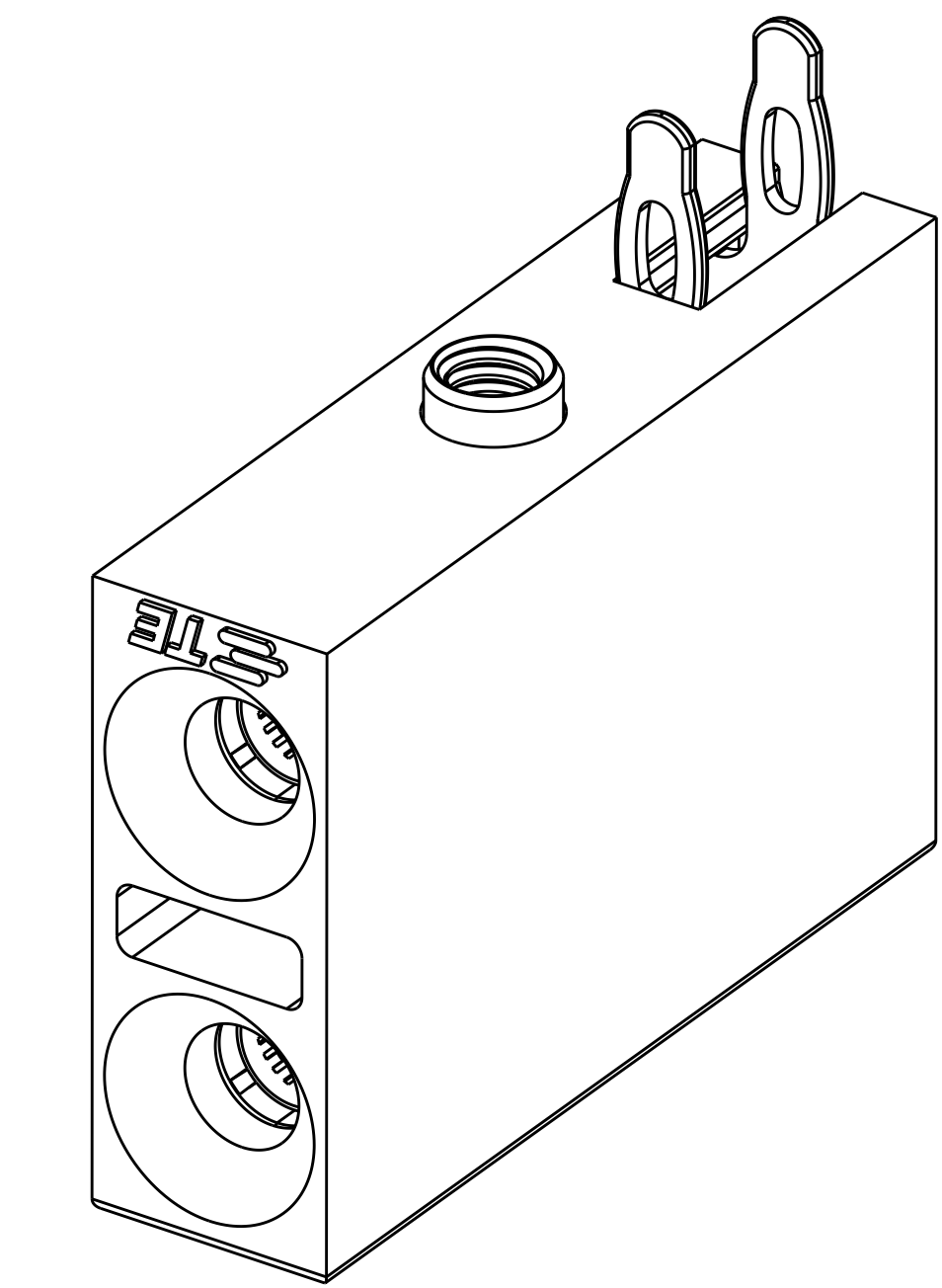
2085181-1
 PRODUCT NUMBER

THIS DRAWING IS A CONTROLLED DOCUMENT.		DWN: G. PETERS 10MAR2009 CHK: D. DEFIBAUGH 10MAR2009 APVD: D. DEFIBAUGH 10MAR2009	TE Connectivity	NAME: 2 POSITION, RIGHT ANGLE, 3.17mm DIAMETER, SOCKET ASSEMBLY
DIMENSIONS: mm TOLERANCES UNLESS OTHERWISE SPECIFIED: 0 PLC ± 1 PLC ±0.5 2 PLC ±0.35 3 PLC ± 4 PLC ± ANGLES ±1°	PRODUCT SPEC APPLICATION SPEC	SIZE: A1 CAGE CODE: 00779 DRAWING NO: C=2085181		
MATERIAL:		FINISH:	WEIGHT: -	CUSTOMER DRAWING SCALE: 1:1 SHEET 1 OF 2 REV D

REVISIONS				
P.	LTN	DESCRIPTION	DATE	APVD
-	-	SEE SHEET 1	-	-

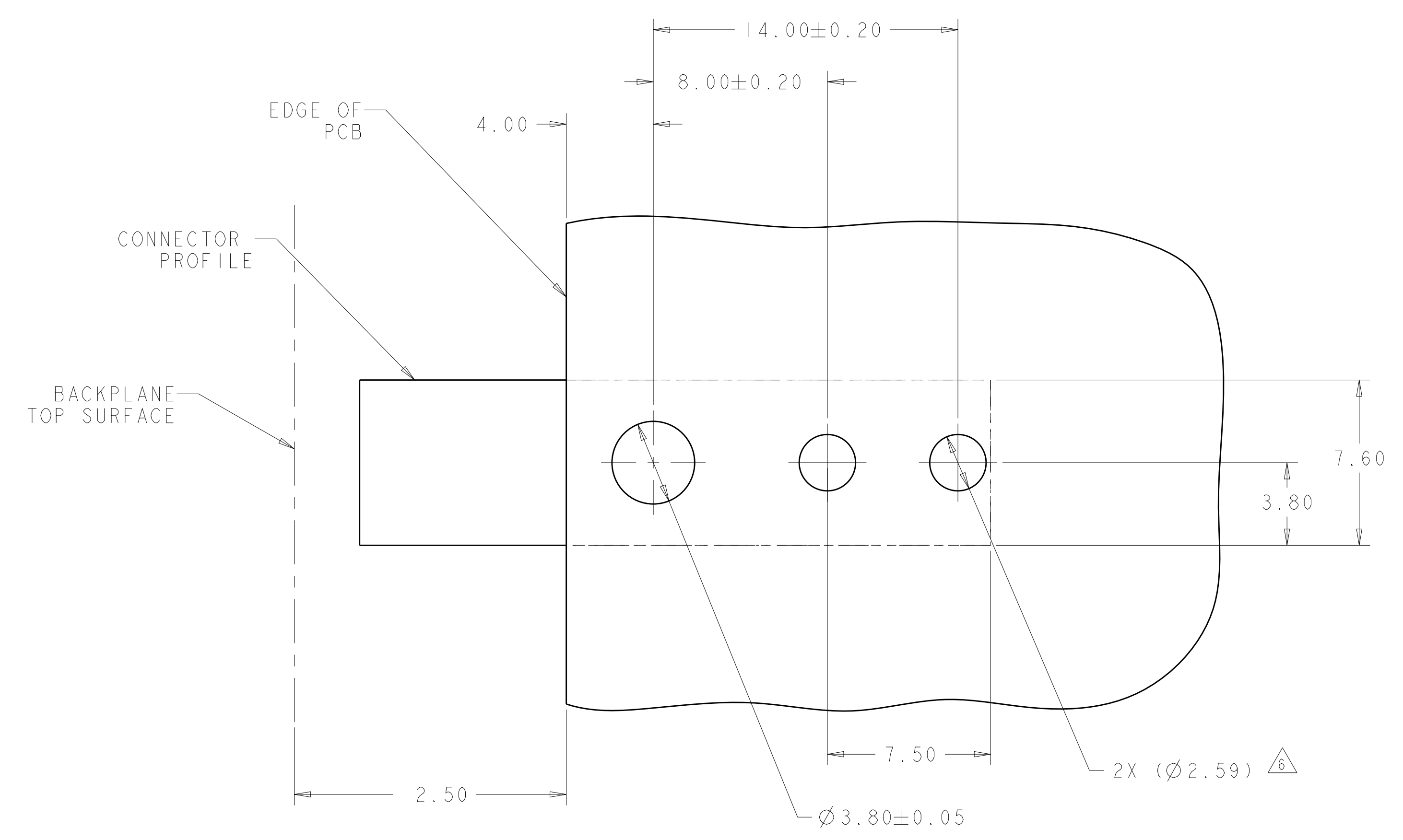


ISOMETRIC FRONT VIEW



ISOMETRIC BOTTOM VIEW

P/N: 2085181-1



RECOMMENDED PRINTED CIRCUIT BOARD LAYOUT
 (AS VIEWED FROM COMPONENT SIDE)
 MINIMUM PCB THICKNESS 1.57 $\triangle 3$

THIS DRAWING IS A CONTROLLED DOCUMENT.		DWN: G. PETERS 10MAR2009	TE Connectivity
DIMENSIONS: mm		CHK: D. DEFIBAUGH 10MAR2009	
TOLERANCES UNLESS OTHERWISE SPECIFIED: 0 PLC ± 1 PLC ±0.5 2 PLC ±0.35 3 PLC ± 4 PLC ± ANGLES ± FINISH ±		APVD: D. DEFIBAUGH 10MAR2009	NAME: 2 POSITION, RIGHT ANGLE, 3.17mm DIAMETER, SOCKET ASSEMBLY
MATERIAL: $\triangle 1$		PRODUCT SPEC: -	RESTRICTED TO: -
FINISH: $\triangle 2$		APPLICATION SPEC: -	SIZE: A100779
CUSTOMER DRAWING		WEIGHT: -	CAGE CODE: C=2085181
SCALE: 1:1		SHEET: 2 OF 2	REV: D