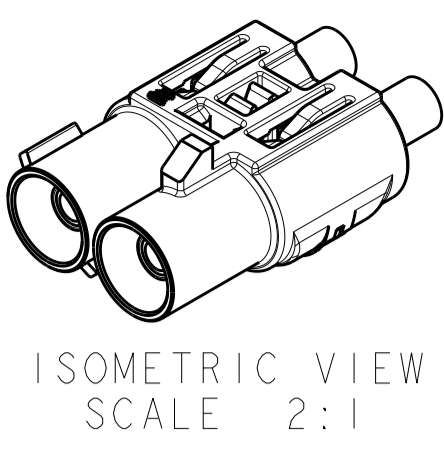
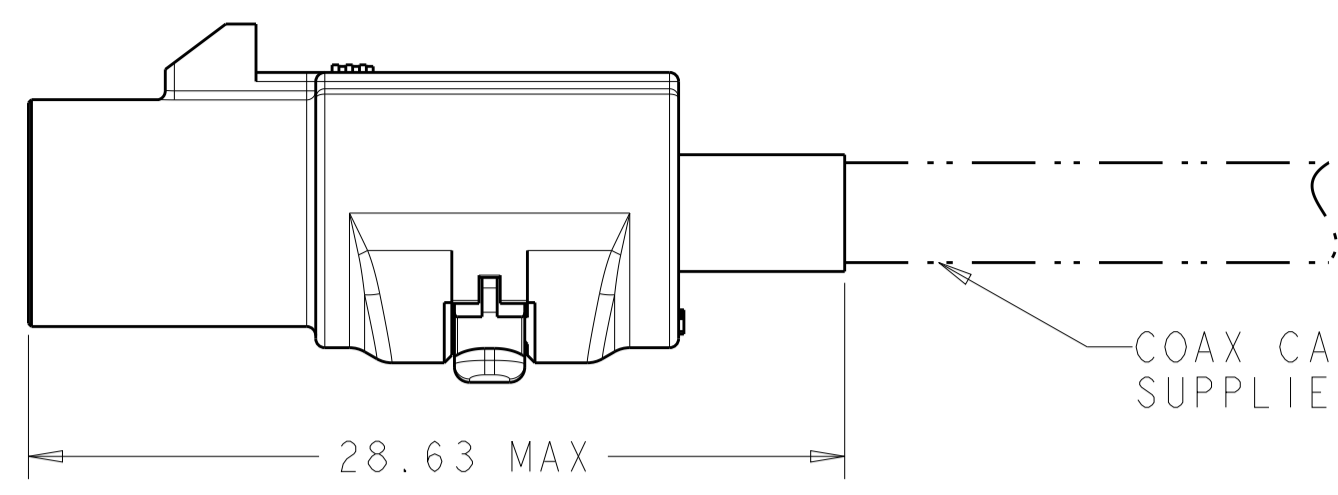
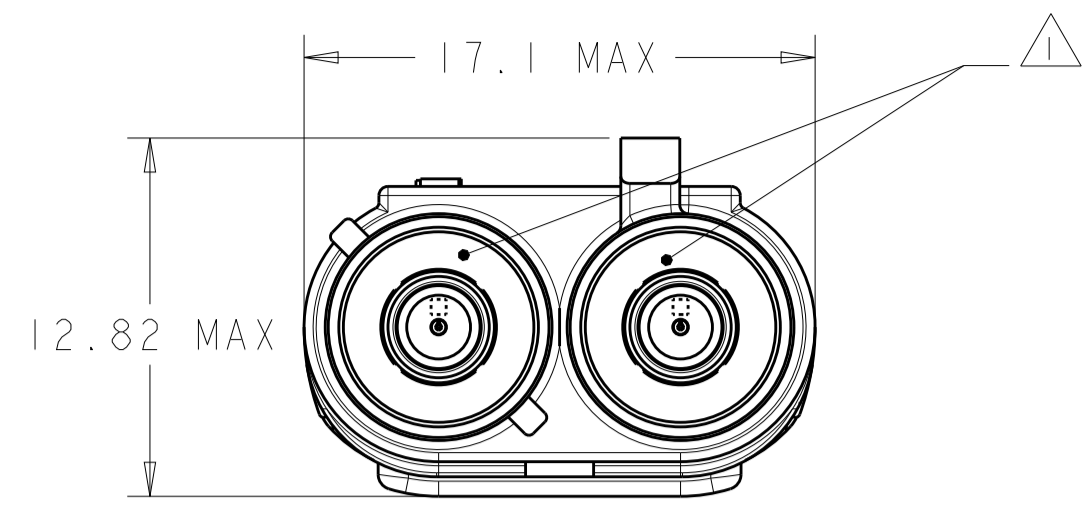
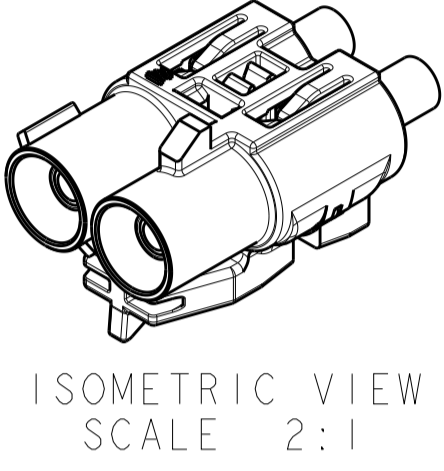
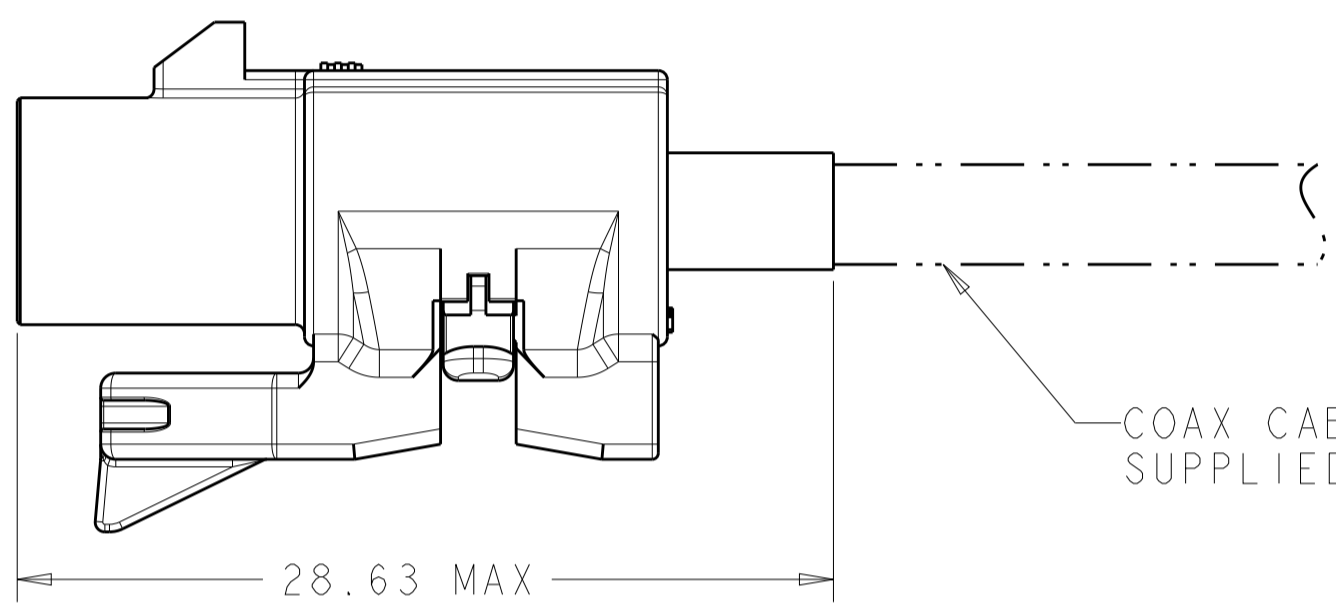
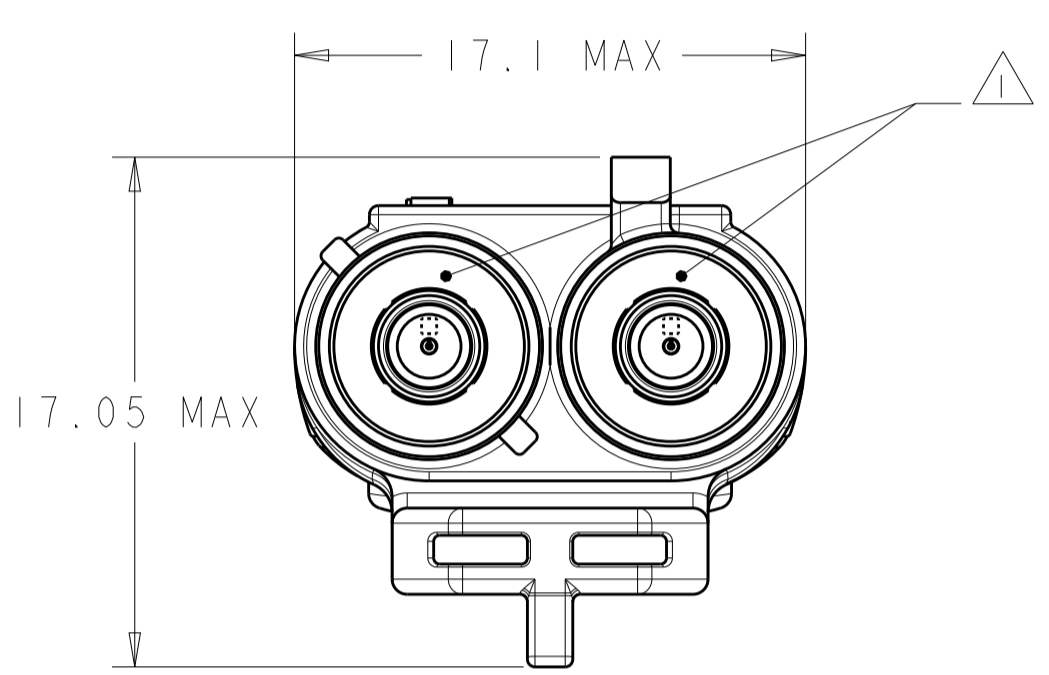
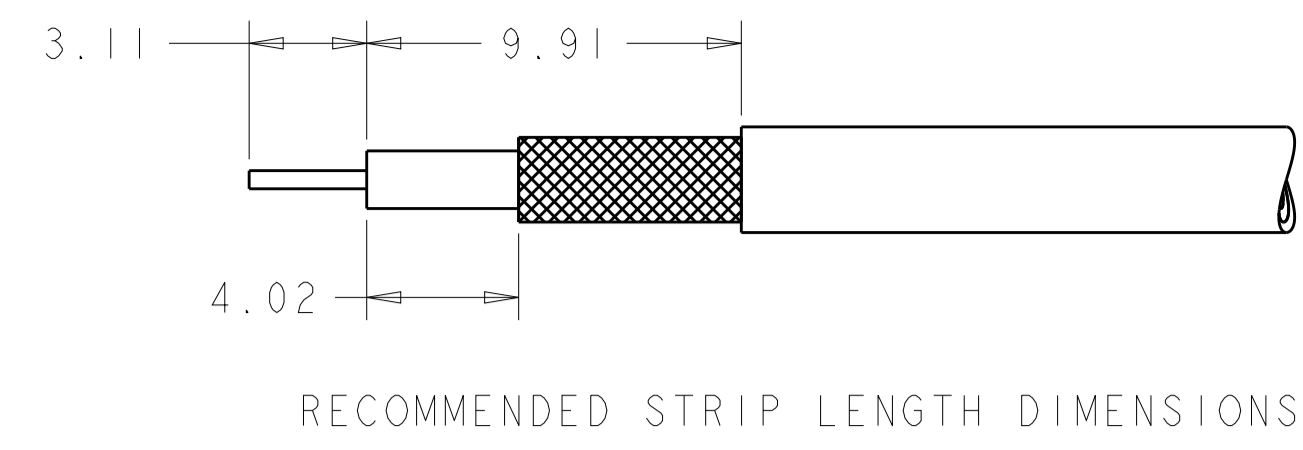


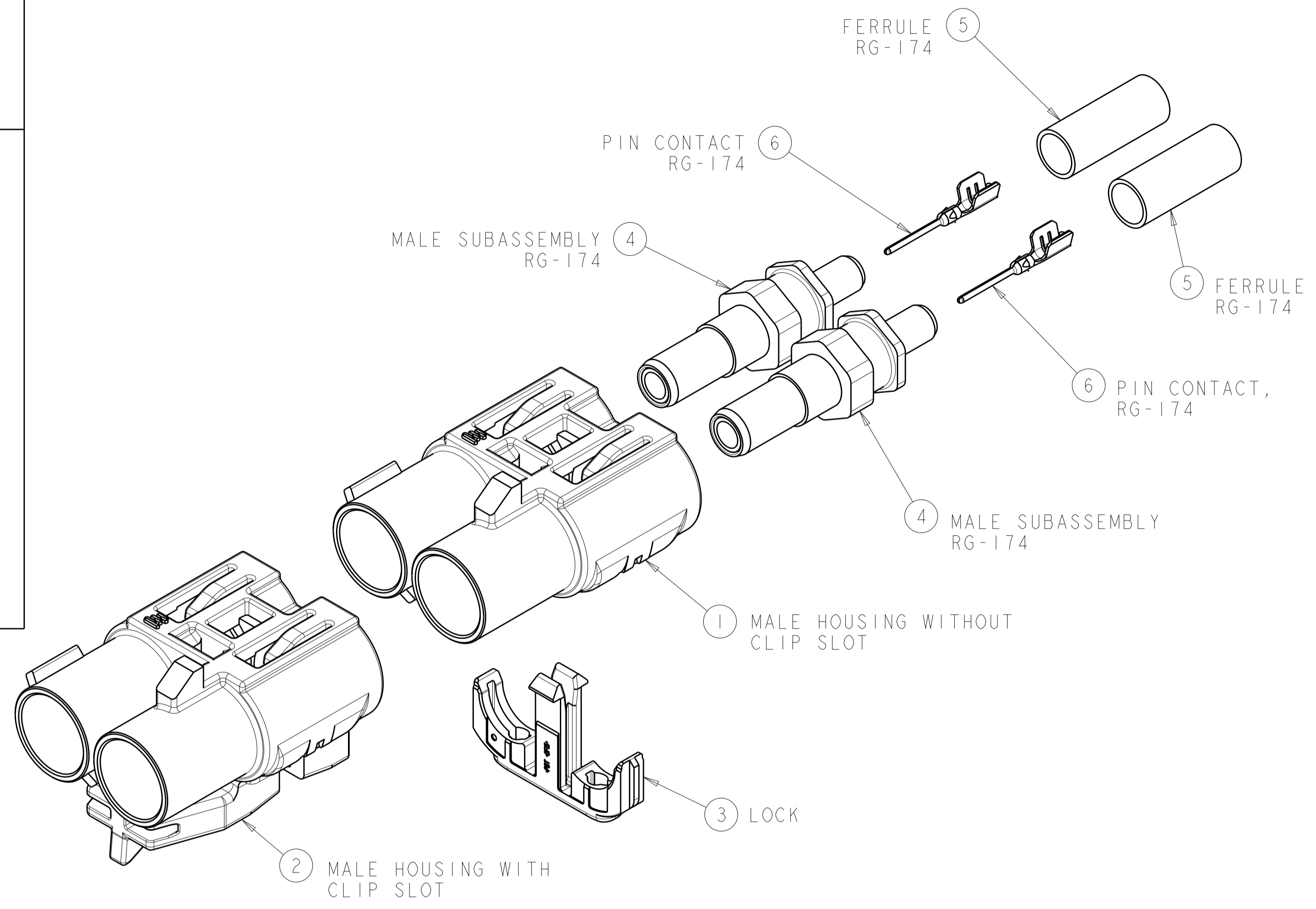
REVISIONS				
P.	LTN	DESCRIPTION	DATE	APVD
F1	ECO-14-002554		26FEB2014	KP LV
F2	REV PER ECO 14-004708		28MAR2014	RW LV
F3	REV PER ECO-19-002003		08FEB2019	CN AP



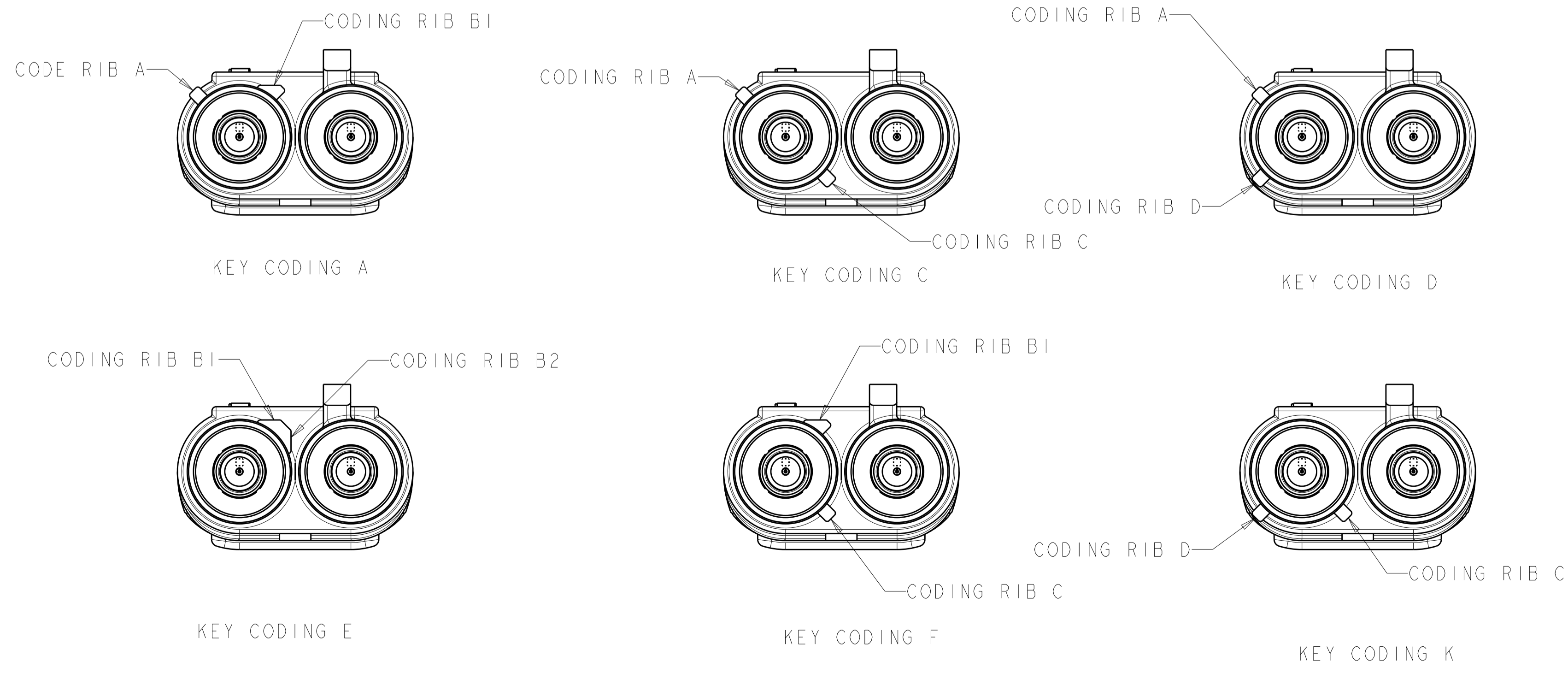
HOUSING WITHOUT CLIP SLOT



HOUSING WITH CLIP SLOT



- ⚠ JACK INTERFACE PER DIN 72594-1, ROAD VEHICLES - RADIO FREQUENCY INTERFACE - DIMENSIONS AND ELECTRICAL REQUIREMENTS.
- 2. JACK SUBASSEMBLY WILL ACCEPT RG-316, RG-174 OR RG-174 LOW LOSS COAXIAL CABLE.
- 3. SEE INSTRUCTION SHEET 408-10028.
- 4. ALL COMPONENTS MUST BE PURCHASED SEPERATELY.
- ⚠ HOUSING NOT TOOLED
- 6. SUBASSY 1924938-1 (EXTENDED DIELECTRIC) IS ALLOWED AS AN ALTERNATE TO SUBASSY 1438908-1.



QTY PER ASSY	U/M	PART NO.	REMARKS	DESCRIPTION	ITEM NO.
2	EA	1438890-8	-	MALE CONTACT, JACK SMB, RG-174	6
2	EA	1-413889-3	-	FERRULE, RG-174	5
2	EA	1438908-1	-	MALE SUB-ASSEMBLY, RG-174	4
1	EA	1924857-1	-	LOCK	3
1	EA	5-1924855-3	SIGNAL BLUE	MALE HOUSING, 2 P. KEY C, WITH CLIP SLOT	2
-	EA	1-1924855-0	CURRY	MALE HOUSING, 2 POSITION, KEY K	1
-	EA	1924855-6	NUT BROWN	MALE HOUSING, 2 POSITION, KEY F	
-	EA	1924855-5	LEAF GREEN	MALE HOUSING, 2 POSITION, KEY E	
-	EA	1924855-4	CLARET VIOLET	MALE HOUSING, 2 POSITION, KEY D	
-	EA	1924855-3	SIGNAL BLUE	MALE HOUSING, 2 POSITION, KEY C	
-	EA	1924855-1	JET BLACK	MALE HOUSING, 2 POSITION, KEY A	

THIS DRAWING IS A CONTROLLED DOCUMENT. DWN: R. PETERSON 08-Feb-19
 CHK: L. VARSIK
 DIMENSIONS: mm
 TOLERANCES UNLESS OTHERWISE SPECIFIED:
 0 PLC ±
 1 PLC ±0.25
 2 PLC ±
 3 PLC ±
 4 PLC ±
 ANGLES ±1
 MATERIAL: - FINISH: -
 WEIGHT: -
 CUSTOMER DRAWING

APVD: L. VARSIK
 PRODUCT SPEC: -
 APPLICATION SPEC: 114-13157
 SCALE: 4:1 SHEET 1 OF 1 REV: F3

STE TE Connectivity
 NAME: JACK KIT, UNASSEMBLED, 2 POS RG-316 OR RG-174, FAKRA, SMB
 SIZE: A100779 C=2035049
 RESTRICTED TO: -