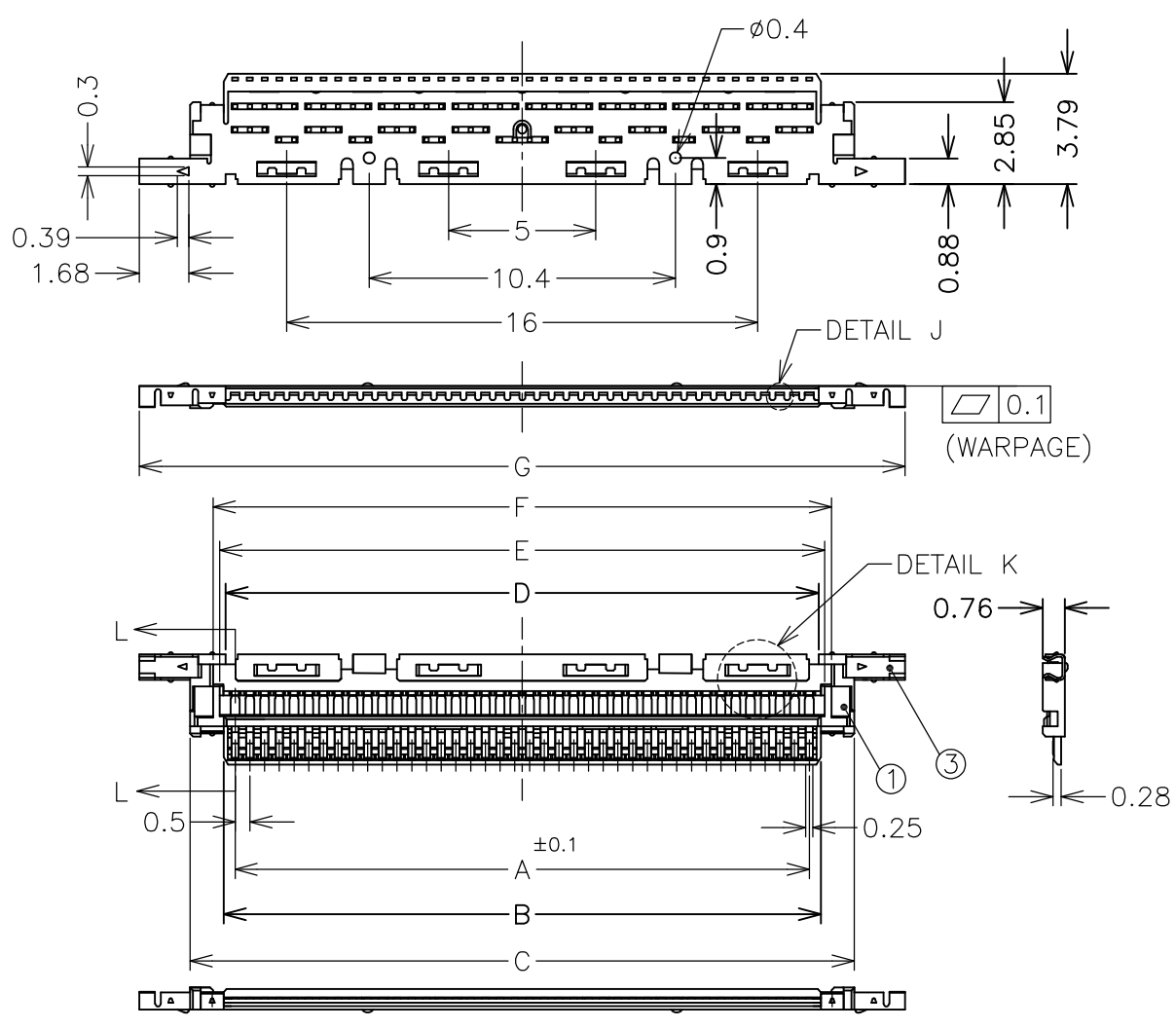


THIS DRAWING IS UNPUBLISHED. RELEASED FOR PUBLICATION

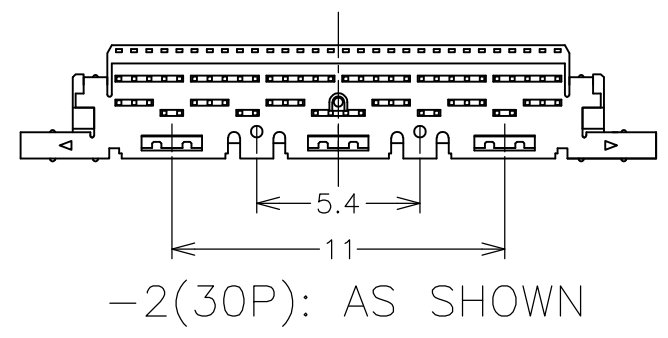
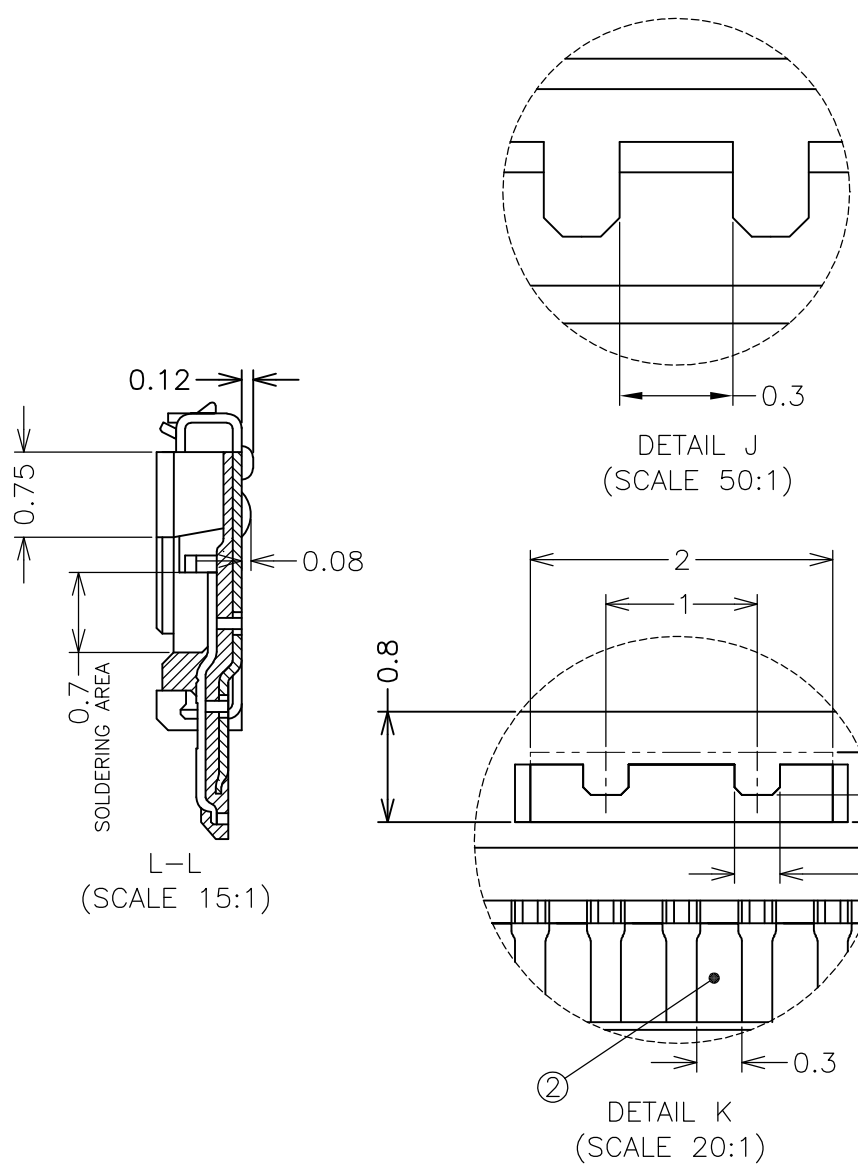
© COPYRIGHT BY TYCO ELECTRONICS CORPORATION. ALL RIGHTS RESERVED.

PART NO.	POS NO.	A	B	C	D	E	F	G	TOOLING STATUS
2023344-3	40	19.5	20.3	22.56	20.20	20.55	21	26	AVAILABLE
2023344-2	30	14.5	15.3	17.56	15.20	15.55	16	21	NOT AVAILABLE
2023344-1	20	9.5	10.3	12.56	10.20	10.55	11	16	NOT AVAILABLE

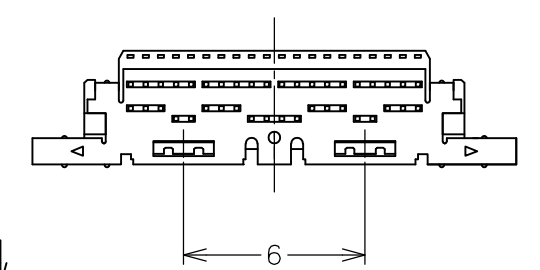
LOC	DIST	REVISIONS					
J	/	P	LTR	DESCRIPTION	DATE	DWN	APVD
		B		REVISED	09AUG2010	Y.S	S.K



-3(40P): AS SHOWN



-2(30P): AS SHOWN



-1(20P): AS SHOWN

③	LOWER SHELL	COPPER ALLOY, Au OVER Ni
②	CONTACT	COPPER ALLOY, Au OVER Ni
①	HOUSING	HIGH TEMP. THERMOPLASTIC, UL94V-0, BLACK
ITEM	PART NAME	MATERIAL & FINISH Δ

Δ

GENERAL TOLERANCE	
6 MAX.	±0.2
6 OVER MAX. 30	±0.3
30 OVER MAX. 120	±0.5
ANGLE	±2°

THIS DRAWING IS A CONTROLLED DOCUMENT.

DWN	Y.SHINO	18SEP2009	Tyco Electronics Corporation Kawasaki, Japan
CHK	S.KAJINUMA	18SEP2009	
APVD	S.KAJINUMA	18SEP2009	NAME
PRODUCT SPEC	LCD COAXIAL EMBEDDED DISPLAY INTERFACE (LCEDI) 0.5mm PITCH CONNECTOR PLUG HSG ASSY		
APPLICATION SPEC	製品規格 108-78659		
取付適用規格	114-5456		
WEIGHT	SIZE		
CUSTOMER DRAWING	A300779		DRAWING NO
	G-2023344		REV
	SCALE	SHEET	REV
	尺度 4:1	1 OF 1	B

NOT the LATEST REVISION