

REVISIONS

P	LTR	DESCRIPTION	DATE	DWN	APVD
R		REVISED PER ECN-24-249363	30JAN2024	GSK	MD

SPECIFICATIONS:

**MATERIALS:**  
CASE: PBT UL94HB, BLACK.  
COVER: STEEL ,TIN PLATE.  
ACTUATOR BUTTON: SEE P/N TABLE.  
MOVING CONTACT: PHOS BRONZE, SILVER.  
FIXED CONTACT/TERMINAL: BRASS, SILVER OVER NICKEL.

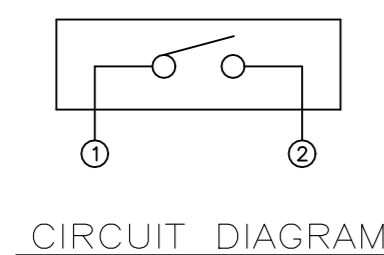
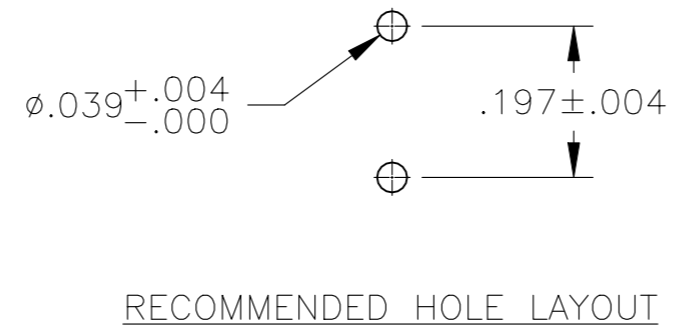
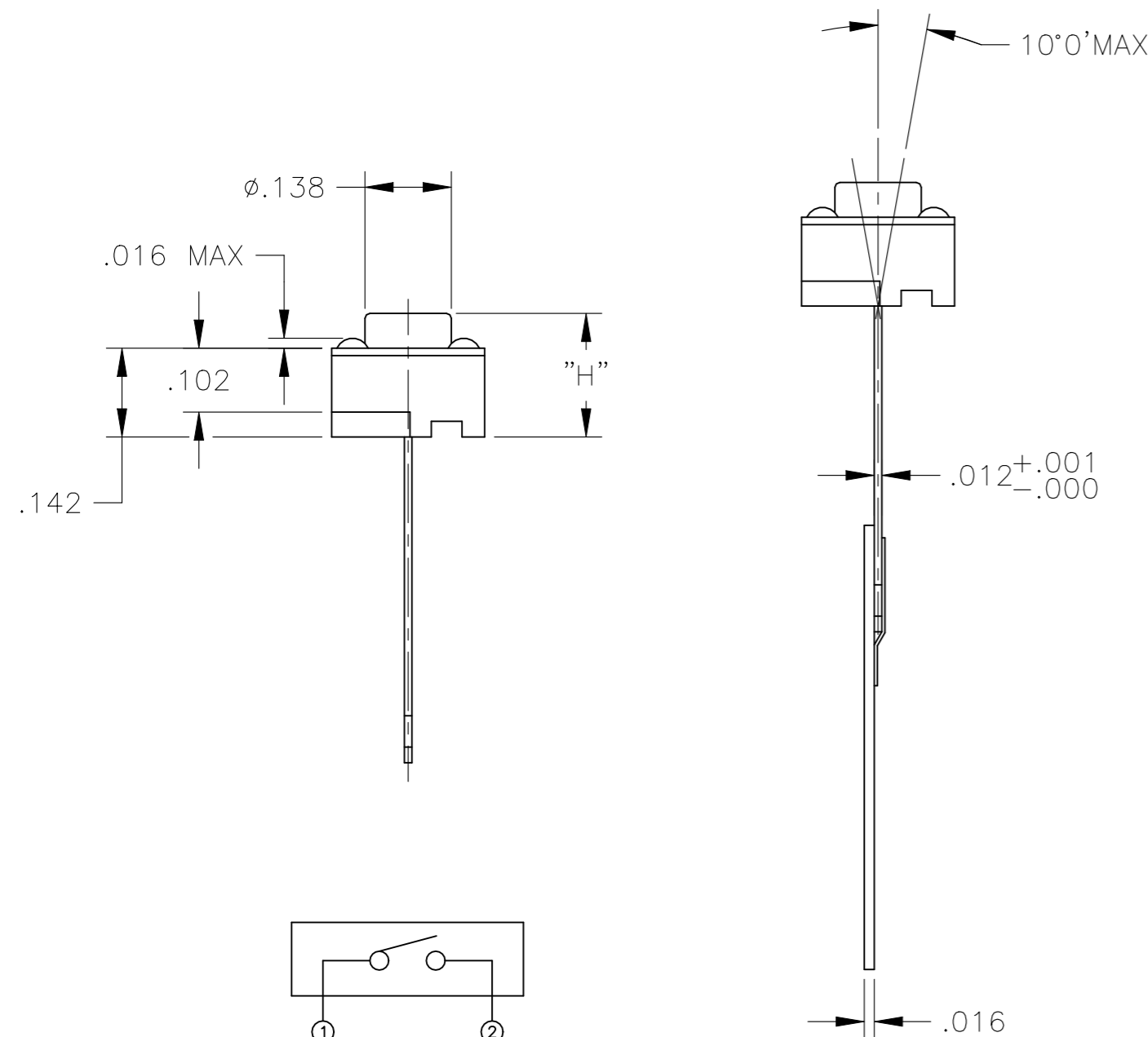
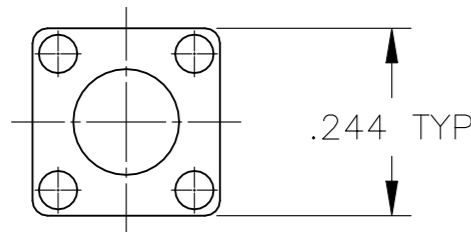
**ELECTRICAL:**  
MAX CONTACT RATING: 50MILLIAMPS@24V DC  
MIN CONTACT RATING: 10MICROAMPS@1V DC  
CONTACT RESISTANCE: 100 MILLIOHMS MAX.  
INSULATION RESISTANCE: 100 MEGOHMS MIN. @ 100 VDC.  
DIELECTRIC STRENGTH: 500 VAC 50/60 Hz FOR 1 MINUTE  
LIFE EXPECTANCY: 100,000 CYCLES.

**MECHANICAL:**  
ACTUATION FORCE: SEE P/N TABLE.  
ACTUATION TRAVEL: .010 IN, (0.25 mm) APPROX.

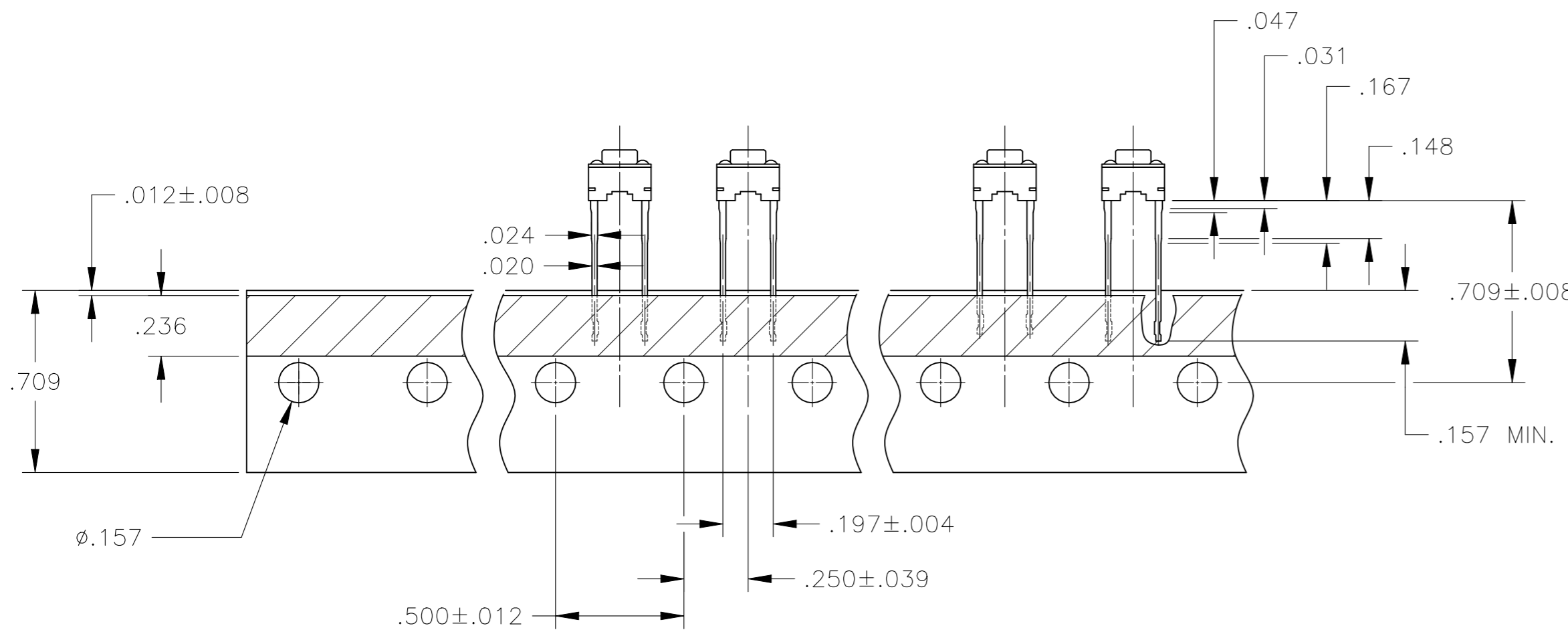
**ENVIRONMENTAL:**  
OPERATING TEMPERATURE: -35°C TO +105°C  
STORAGE TEMPERATURE: -35°C TO +85°C

**SOLDERABILITY:**  
SOLDERABILITY EIA-364-52,CLASS 1,CATEGORY 2  
SOLDER HEAT RESISTANCE PER 109-202 CONDITION B

- 1 ALL MATERIALS AND FINISHES SHALL COMPLY WITH EU DIRECTIVE 2002/95/EC OF 27JAN2003 (ROHS)
- 2 RADIAL TAPE PACKAGING PER AUGAT SPEC.#295.
- 3 SPECIFICATIONS SUBJECT TO CHANGE WITHOUT NOTIFICATION.



CIRCUIT DIAGRAM



OBSOLETE	100 +/-50 grams	Nylon 66	BROWN	.197 (5.0)	FSM4JBRT	1571010-2
	160 +/-50 grams	Nylon 66	BLACK	.512 (13.0)	FSM14JRT	1571010-1
	260 +/-50 grams	PBT	RED	.374 (9.5)	FSM8JART	147871-1
	160 +/-50 grams	PBT	BLACK	.374 (9.5)	FSM8JRT	147694-1
OBSOLETE	260 +/-50 grams	Nylon 66	RED	.276 (7.0)	FSM6JART	1571402-1
	160 +/-50 grams	Nylon 66	BLUE	.276 (7.0)	FSM6JRT	4-1437565-8
	260 +/-50 grams	PBT	RED	.197 (5.0)	FSM4JART	147997-1
	160 +/-50 grams	Nylon 66	BLACK	.197 (5.0)	FSM4JRT	4-1437565-0
	160 +/-50 grams	PBT	NATURAL	0.169 (4.3)	FSM2JRT	2-1437565-6
	260 +/-50 grams	PBT	RED	0.169 (4.3)	FSM2JART	2-1437565-2
	ACTUATION FORCE	ACTUATOR MATERIAL	ACTUATOR COLOR	DIM H	T&B P/N	PART NUMBER

THIS DRAWING IS A CONTROLLED DOCUMENT.		DWN M.BINNER 29SEP05				
DIMENSIONS: INCHES		CHK M.SARVER 29SEP05				
TOLERANCES UNLESS OTHERWISE SPECIFIED:		APVD M.SARVER 29SEP05	NAME			
0 PLC ± -		PRODUCT SPEC	SWITCH, PUSHBUTTON			
1 PLC ± -		APPLICATION SPEC	SIZE CAGE CODE DRAWING NO RESTRICTED TO			
2 PLC ± -			A2 00779 C-2-1437565-2			
3 PLC ± .012			SCALE SHEET 1 OF 1 REV R			
4 PLC ± -						
ANGLES ± 1°						
MATERIAL SEE SPECIFICATIONS		WEIGHT				
FINISH SEE SPECIFICATIONS		CUSTOMER DRAWING				

2-1437565-2

A