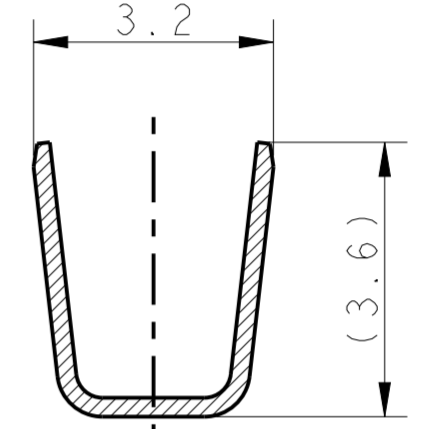
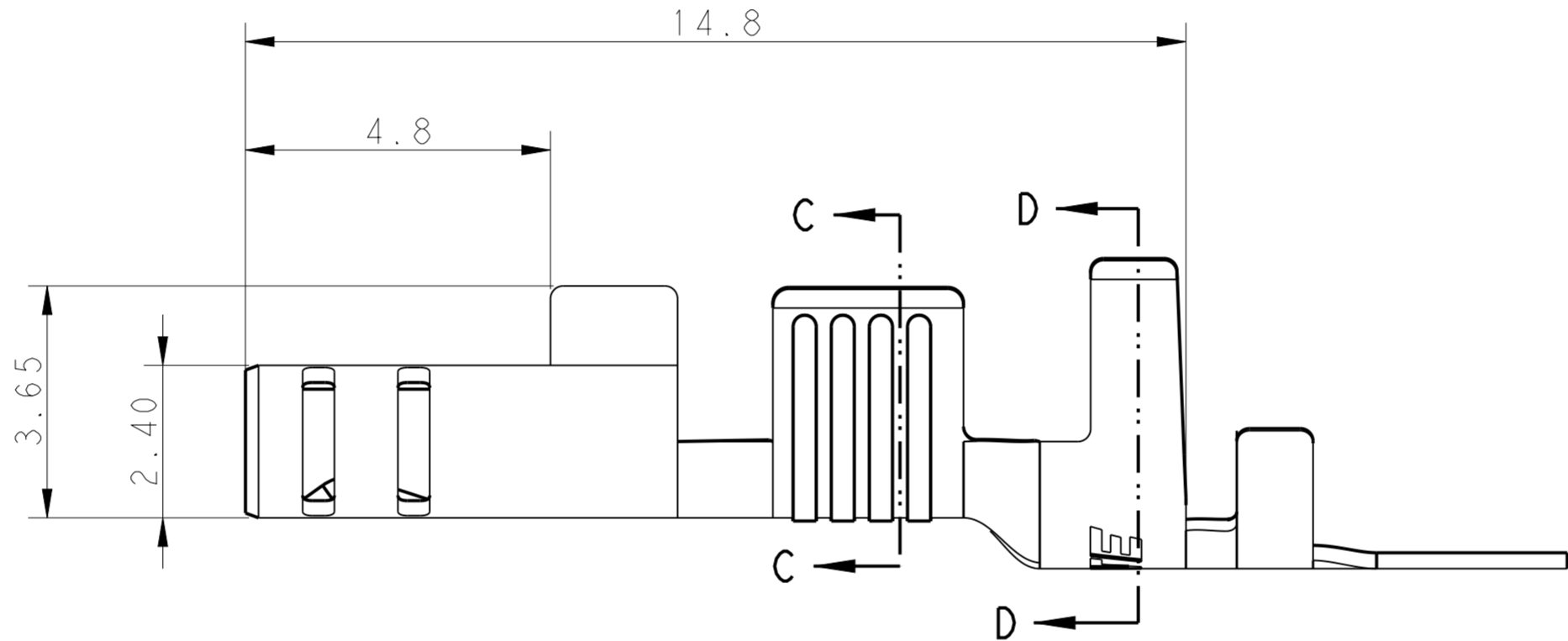
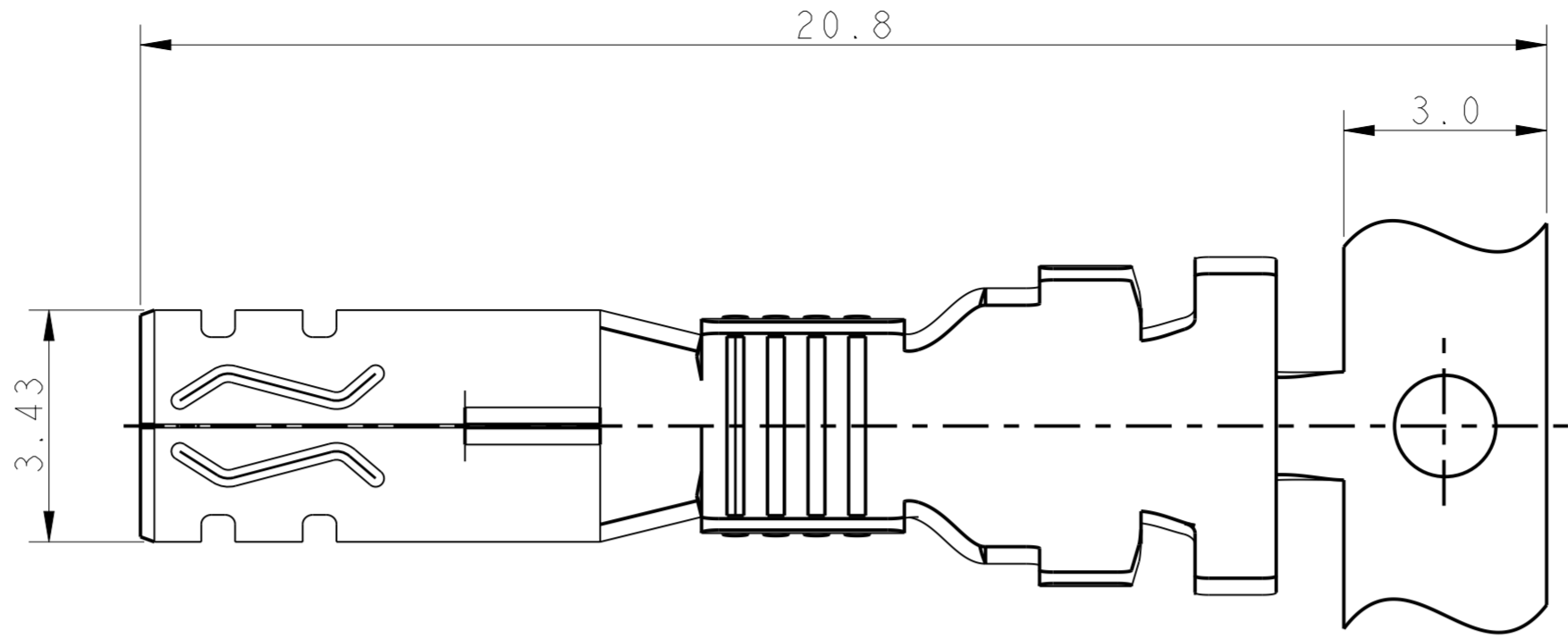
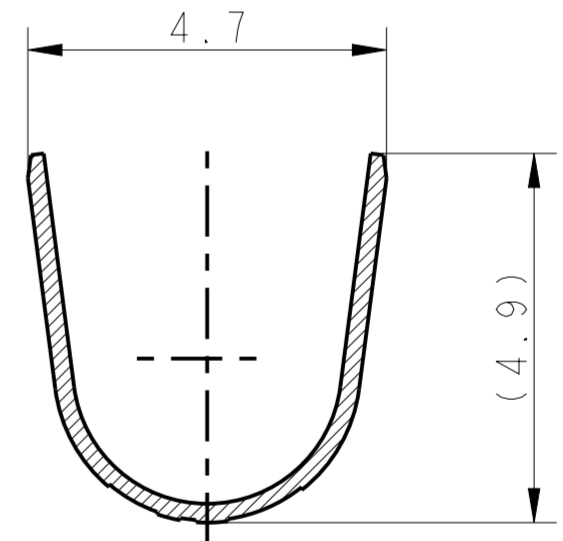


THIS DRAWING IS UNPUBLISHED. RELEASED FOR PUBLICATION 20
 © COPYRIGHT 20 BY - ALL RIGHTS RESERVED.

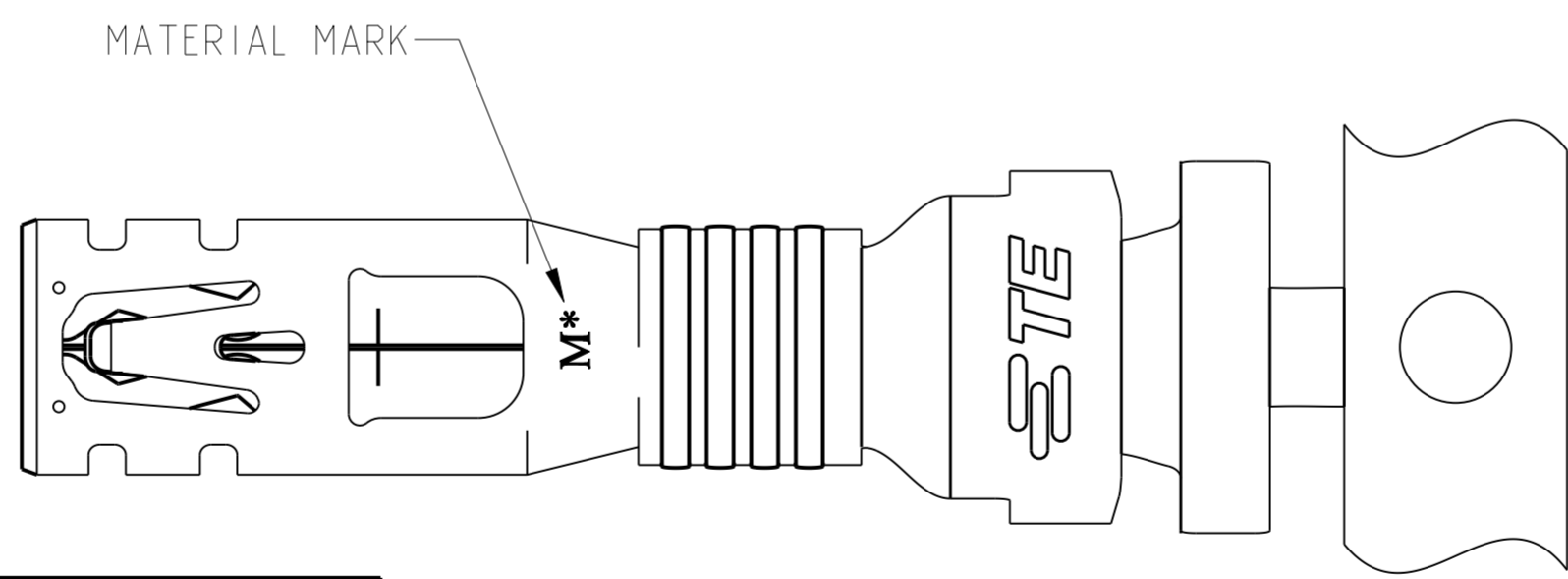
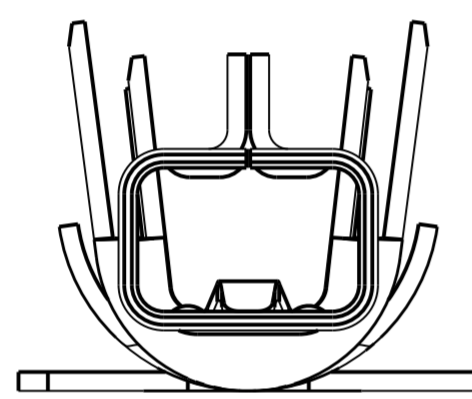
LOC	DIST	REVISIONS					
ES	00	P	LTR	DESCRIPTION	DATE	DWN	APVD
		A2		REVISED PER ECR-14-010857	14AUG2014	NK	GJ



SECTION C-C



SECTION D-D



NOTE:

1. APPLICABLE WIRE: 14AWG COPPER STRANDED
2. APPLICABLE INSULATION DIAMETER: 3.40~3.70mm
3. APPLICABLE MATED PLUG HOUSING P/N:
 -1971773-/*-1971776-*/*-1971876-*/
 -2232265-/*-2232266-*/*-2232357-*

4. This product has not completed validation testing.

MATERIAL	TEMP. RATING	MATERIAL MARK	PART NO
COPPER ALLOY	HIGH(150°C)	M0	1971781-2
PHOS BRONZE	STANDARD(105°C)	M1	1971781-1

THIS DRAWING IS A CONTROLLED DOCUMENT.		DWN TOMMY WU 11JUL2012	STE TE Connectivity	
DIMENSIONS: mm		CHK HAPYE WU 11JUL2012		
TOLERANCES UNLESS OTHERWISE SPECIFIED: 0 PLC ± 0.5 1 PLC ± 0.30 2 PLC ± 0.30 3 PLC ± 0.30 4 PLC ± 0.30 ANGLES ± FINISH PRE-TIN		APVD YUHHONG MAO 11JUL2012	NAME RECEPTACLE CONTACT POWER TRIPLE LOCK	
MATERIAL SEE TABLE		PRODUCT SPEC 108-106118	SIZE A2	CAGE CODE 00779
		APPLICATION SPEC 114-106118	DRAWING NO 1971781	
		WEIGHT -	RESTRICTED TO -	
		Customer Drawing		SCALE - SHEET 1 OF 1 REV A2