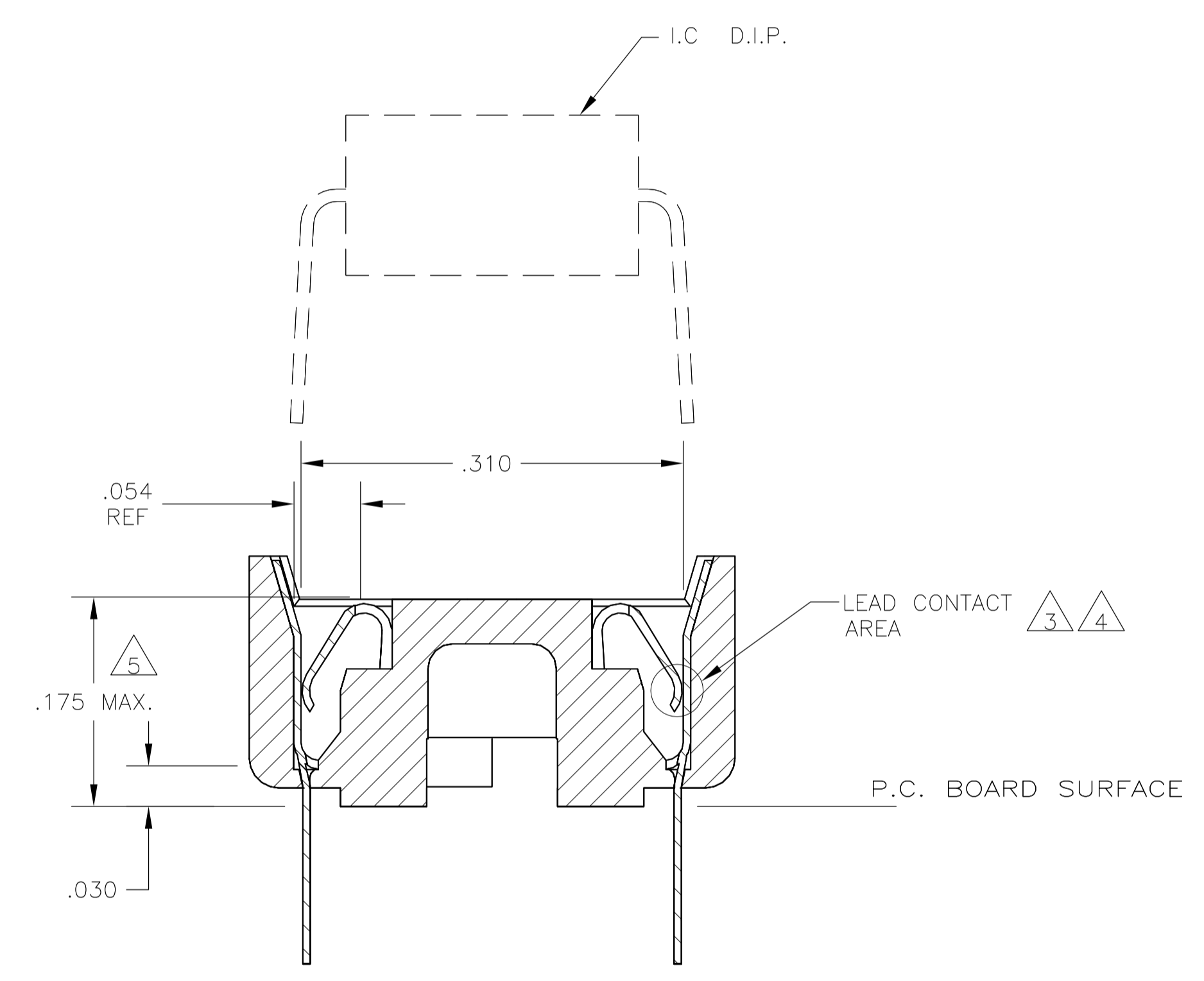
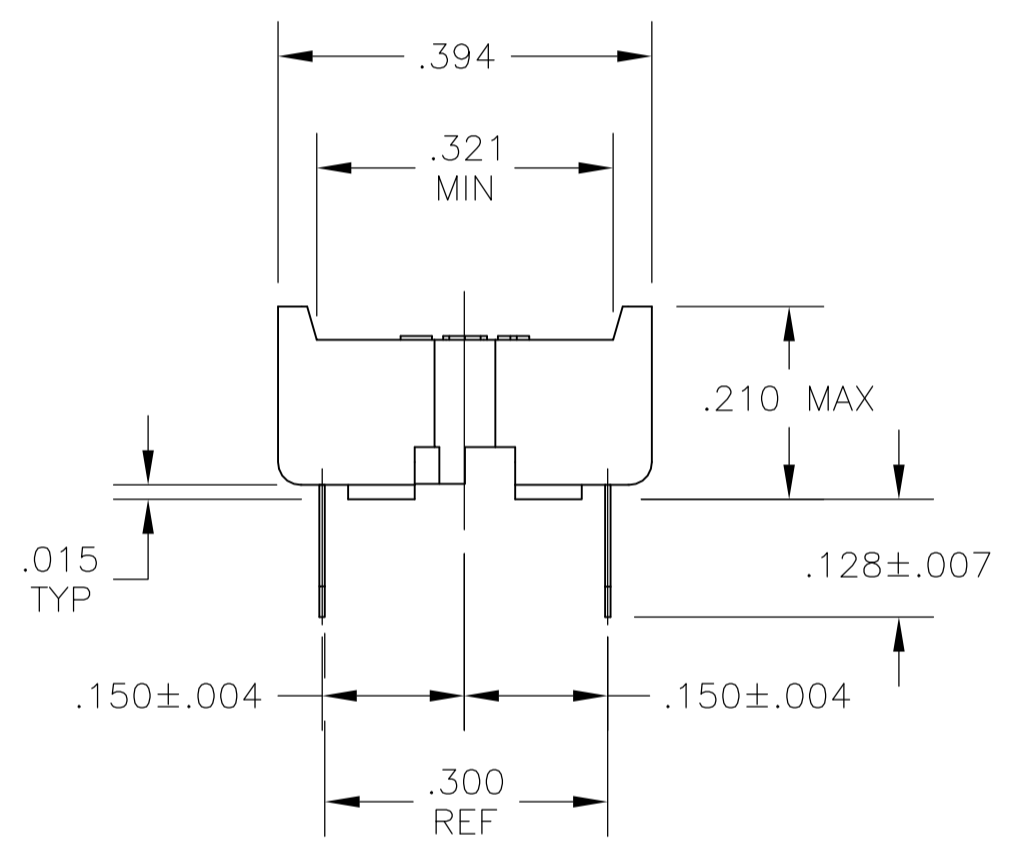
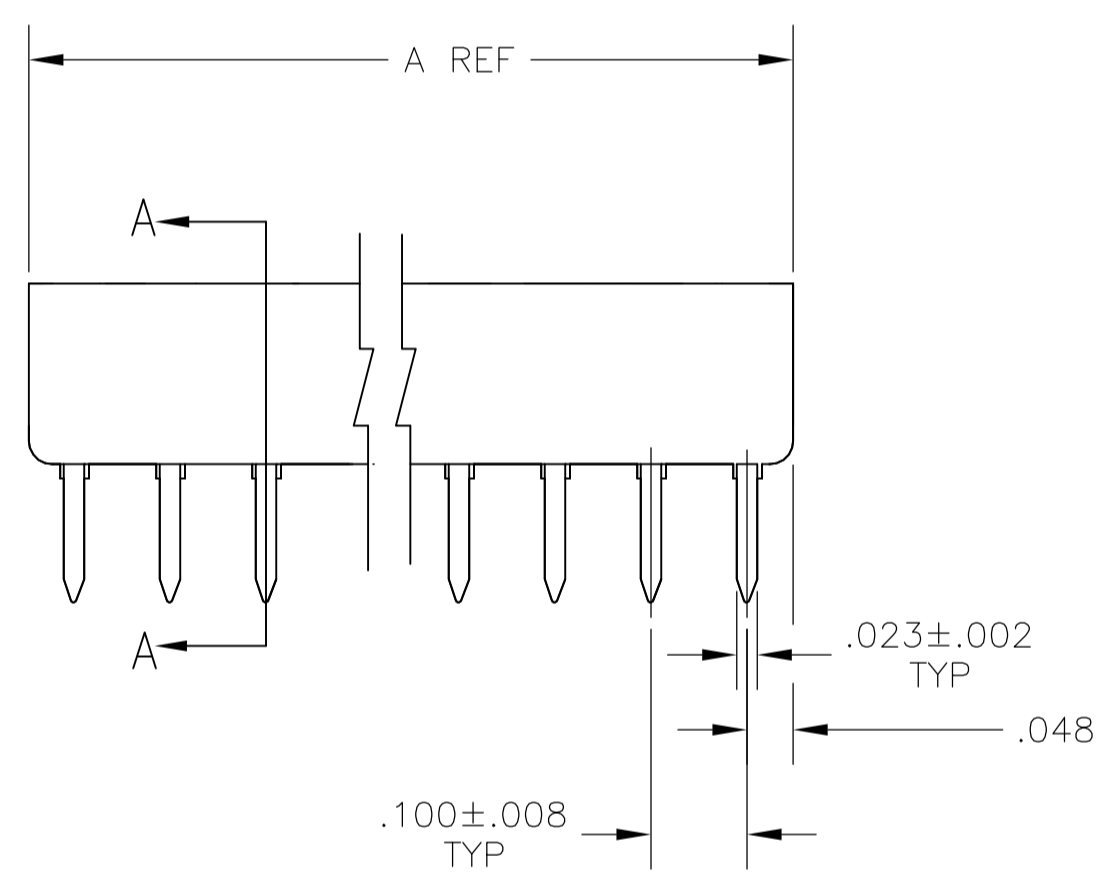
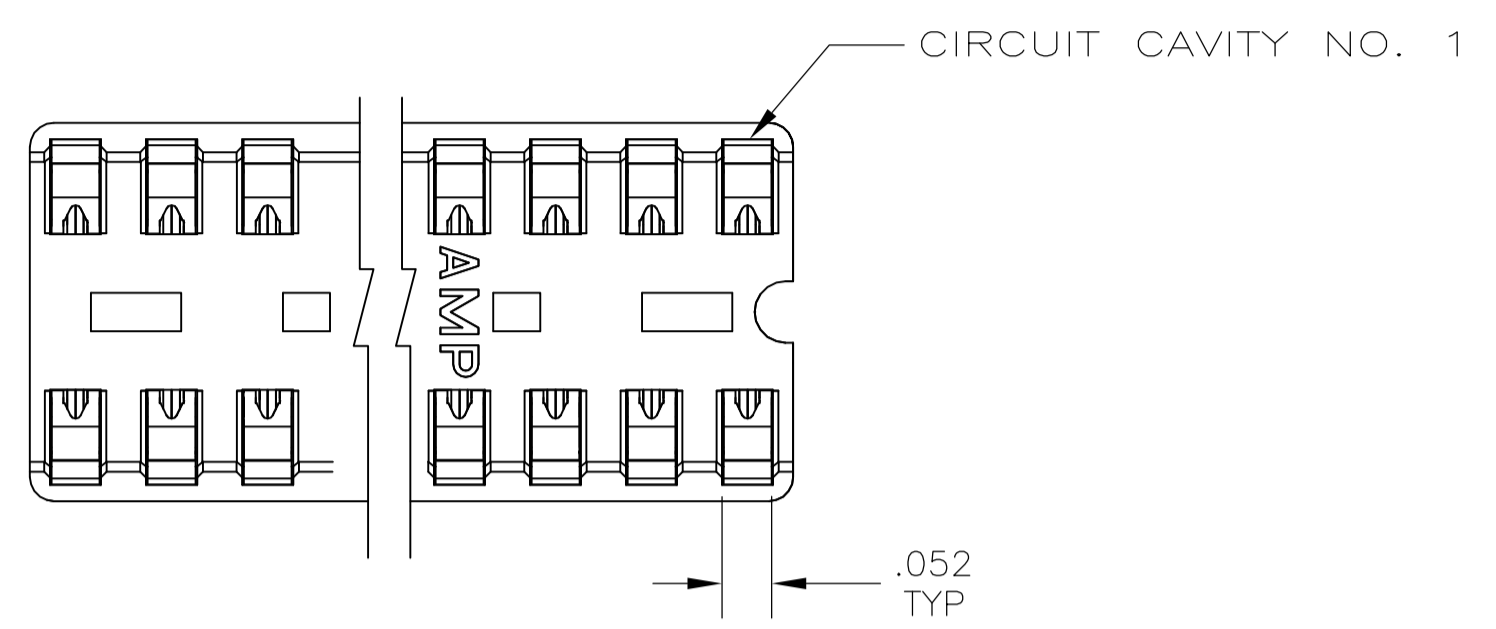
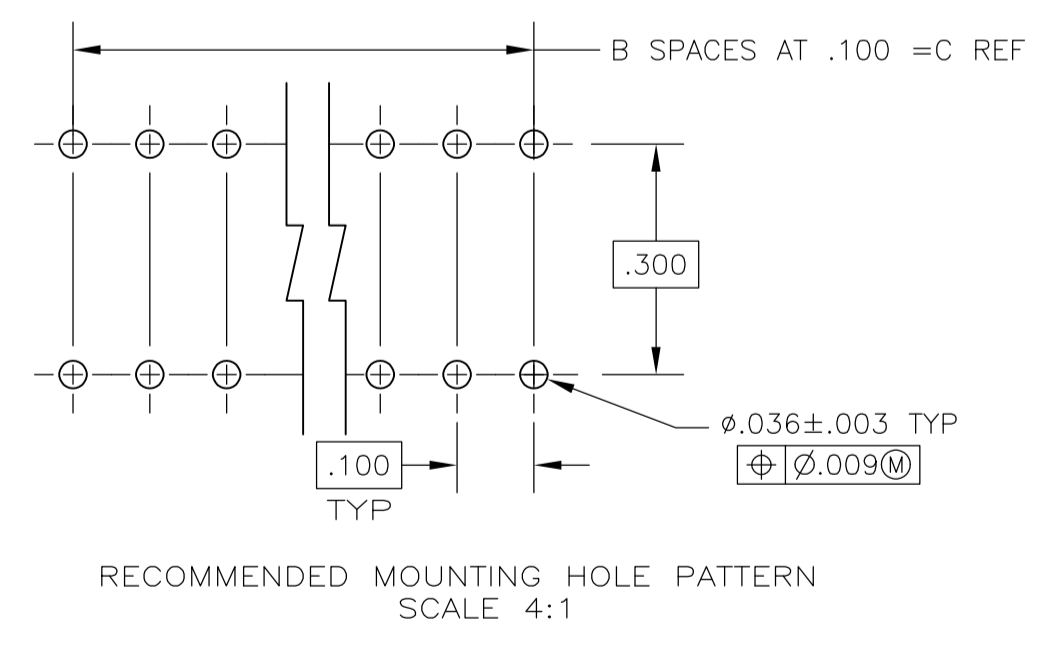


1. RECEPTACLE ACCEPTS A .008-.014 THICK I.C. LEAD.
2. TUBE LOADED FOR AUTOMATIC INSERTION.
3. BECU CONTACT-PLATED WITH TWO .000030 MIN THK. GOLD STRIPES IN CONTACT AREA WITH TIN ON CONTACT LEGS, BALANCE OF CONTACT NICKEL PLATED.
4. PHOS. BRONZE CONTACT- PLATED WITH TWO .000015 MIN THK. GOLD STRIPES IN CONTACT AREA WITH TIN ON CONTACT LEGS, BALANCE OF CONTACT NICKEL PLATED.
5. MAXIMUM DIMENSION FOR I.C. SEATING PLANE.
6. HOUSING MATERIAL-GLASS FILLED THERMOPLASTIC, BLACK, 94V-0



SECTION A-A  
SCALE 10:1



CONTACT & FINISH	DIM C	B SPCS	DIM A	POSITION	PART NO.
3	.900	9	.995	20	1-1825093-6
3	.800	8	.895	18	1-1825093-5
3	.700	7	.795	16	1-1825093-4
3	.600	6	.695	14	1-1825093-3
3	.300	3	.395	8	1-1825093-2
3	.200	2	.295	6	1-1825093-1
4	.900	9	.995	20	1825093-6
4	.800	8	.895	18	1825093-5
4	.700	7	.795	16	1825093-4
4	.600	6	.695	14	1825093-3
4	.300	3	.395	8	1825093-2
4	.200	2	.295	6	1825093-1

THIS DRAWING IS A CONTROLLED DOCUMENT.

DIN B.S.VISWESWARA 20APR2005

CHK K.WRIGHT

APVD

PRODUCT SPEC

APPLICATION SPEC

WEIGHT

CUSTOMER DRAWING

STE Connectivity

DIP SOCKET ASSY, CLOSED, DIPLOMATE, .300 CL, LEAD FREE

NOT the LATEST REVISION

SCALE 5:1 SHEET 1 OF 1 REV A1