

THIS DRAWING IS UNPUBLISHED. RELEASED FOR PUBLICATION 20  
 © COPYRIGHT 20 ALL RIGHTS RESERVED.

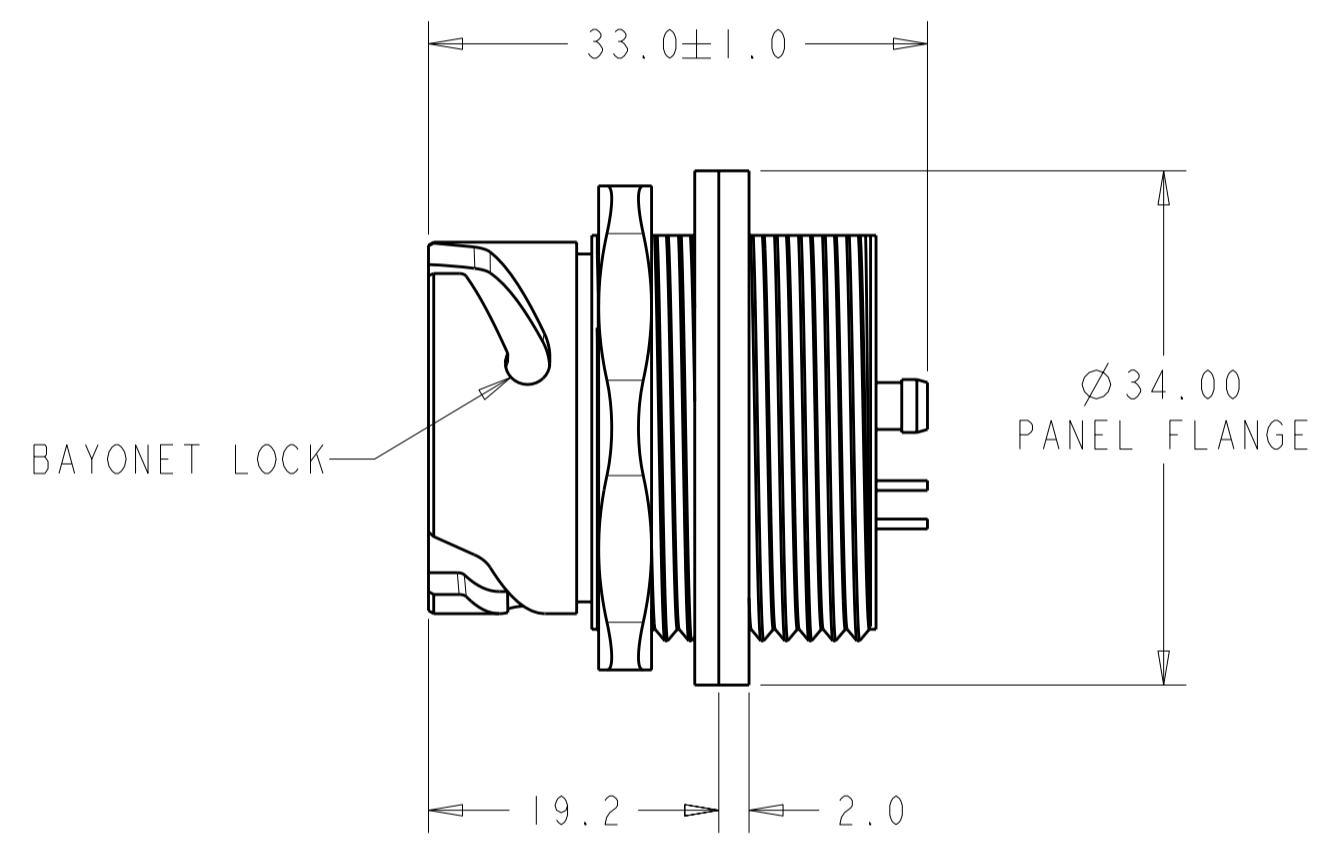
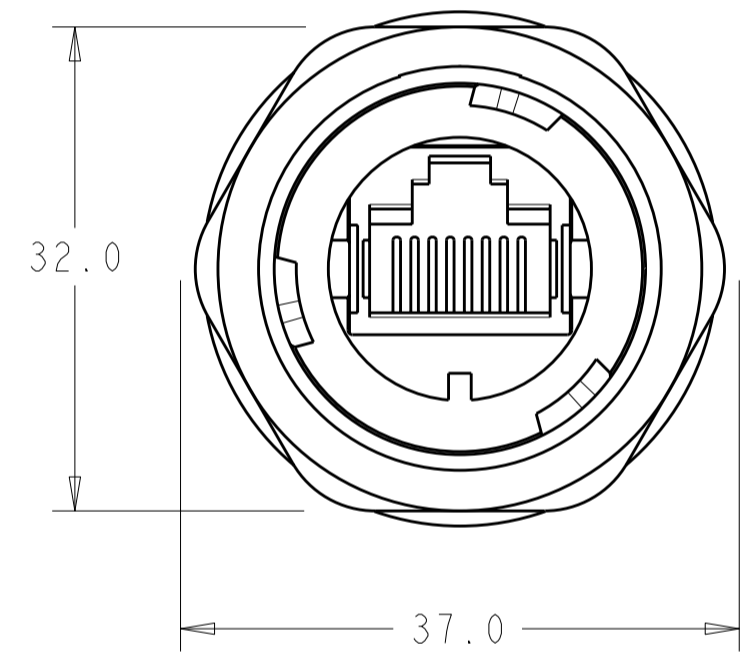
LOC		DIST		REVISIONS			
P	LTR	DESCRIPTION	DATE	DWN	APVD		
	A5	REVISED PER ECO-11-025163	16DEC2011	KH	MS		

RJ45 MODULAR JACK, PCB, 8 POSITION HOUSING:  
 POLYESTER PBT CONTACTS: PHOSPHOR BRONZE,  
 GOLD OVER NICKEL

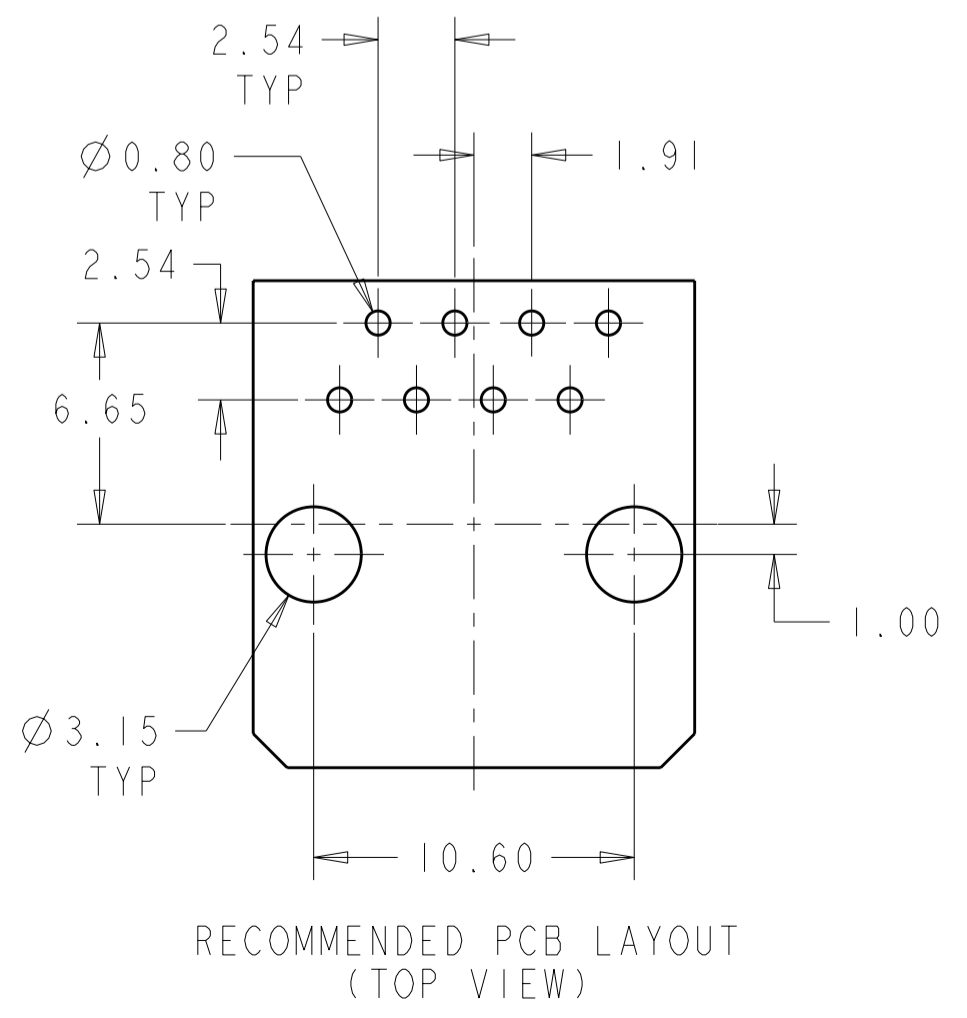
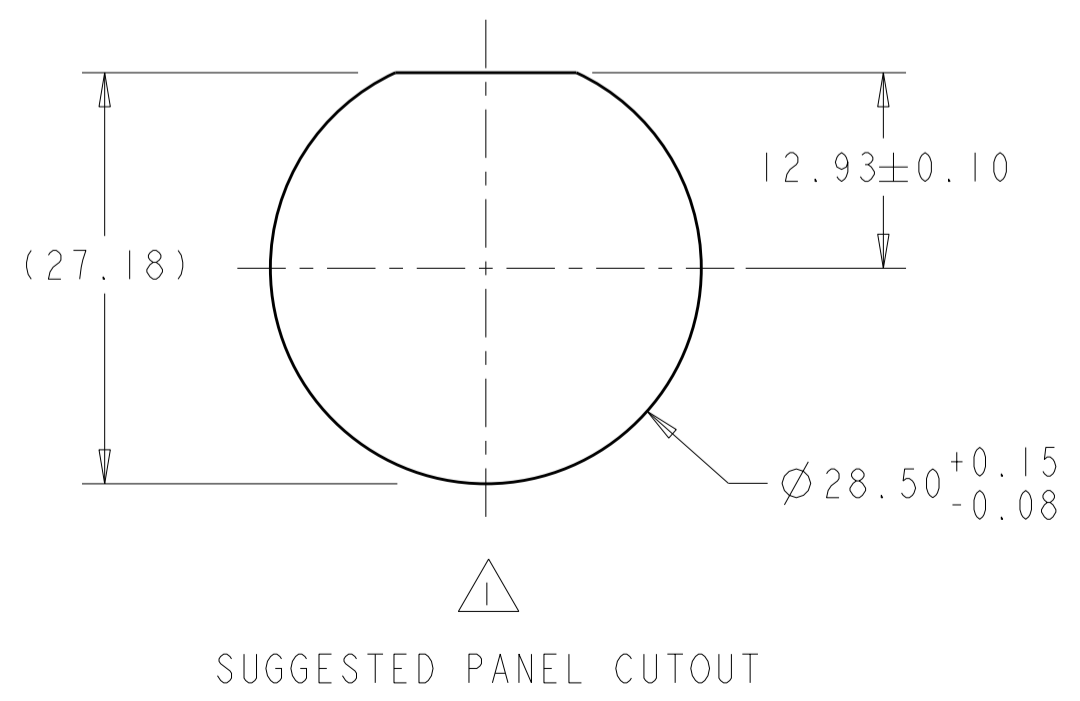
RECEPTACLE HOUSING  
 POLYESTER, COLOR: BLACK

PANEL GASKET  
 ELASTOMER, COLOR: ORANGE

PANEL NUT  
 BRASS, NICKEL PLATED



- 1. CONNECTOR MAY BE FRONT OR REAR MOUNTED TO A MAXIMUM PANEL THICKNESS OF 3.2 mm.
- 2. PANEL NUT AND PANEL GASKET ARE PACKAGED ASSEMBLED IN POLYBAG.
- 3. PCB THICKNESS 1.6mm.



1776900-1  
 PART NUMBER

THIS DRAWING IS A CONTROLLED DOCUMENT.		DWN S. WELDON 27SEP2006	TE Connectivity	
DIMENSIONS: mm		CHK D. COURS 27SEP2006		
TOLERANCES UNLESS OTHERWISE SPECIFIED:		APVD D. COURS 27SEP2006	NAME RECEPTACLE KIT, RJ45 PCB MODULAR JACK, ODVA INDUSTRIAL ETHERNET	
0 PLC ±0.3		PRODUCT SPEC 108-2198	SIZE CAGE CODE DRAWING NO RESTRICTED TO	
1 PLC ±0.2		APPLICATION SPEC 114-13136	A2 00779 C-1776900	
2 PLC ±0.10		WEIGHT -	SCALE 2:1 SHEET 1 OF 1 REV A5	
3 PLC ±		CUSTOMER DRAWING		
4 PLC ±				
ANGLES ±°				
FINISH				