

THIS DRAWING IS UNPUBLISHED.

RELEASED FOR PUBLICATION

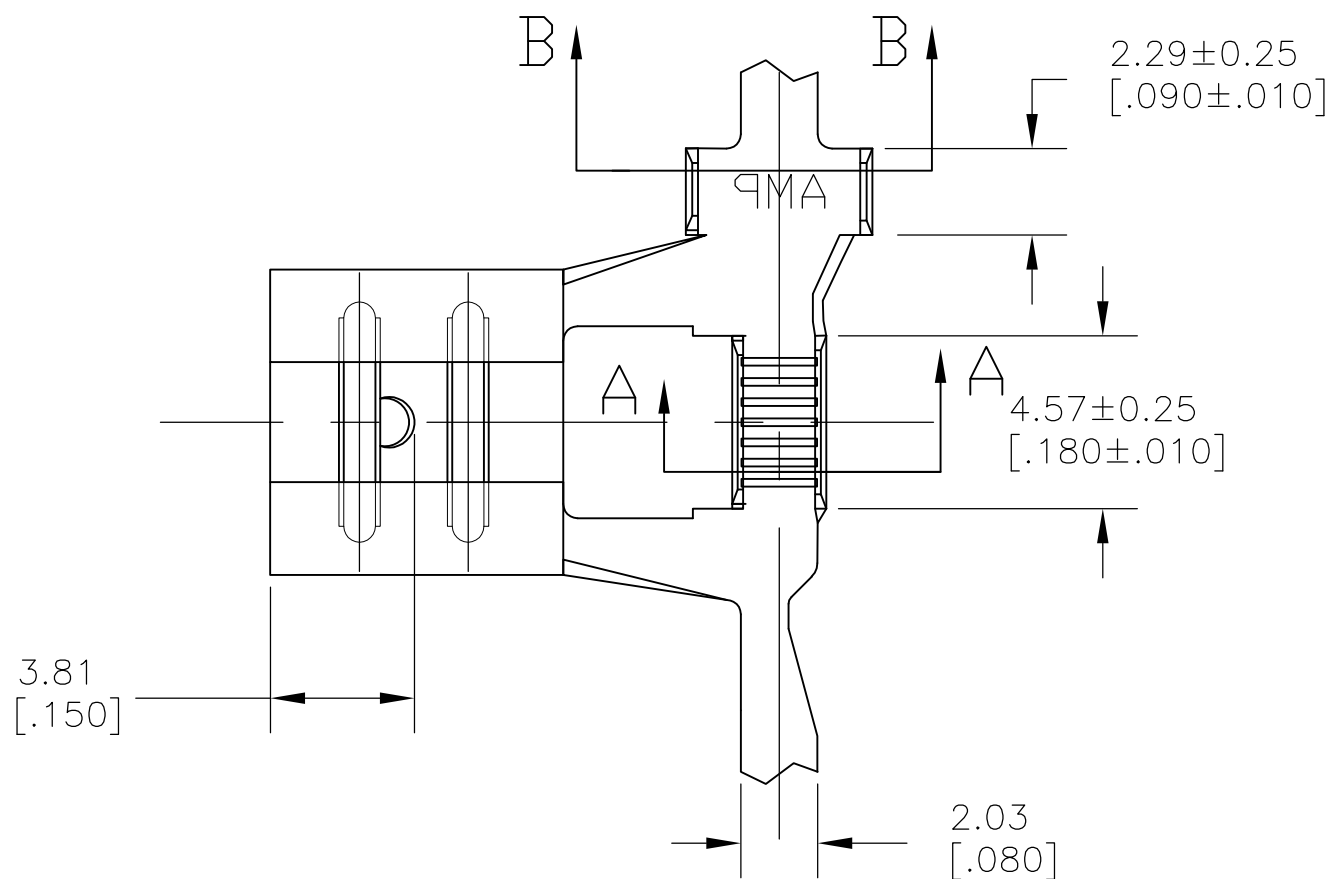
© COPYRIGHT - By TYCO ELECTRONICS CORPORATION.

ALL RIGHTS RESERVED.

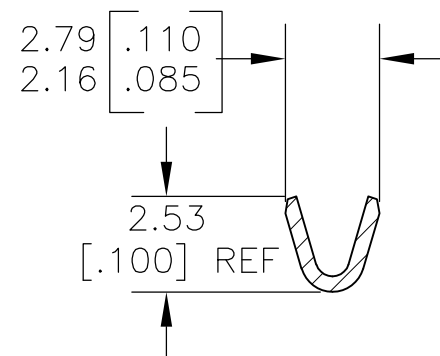
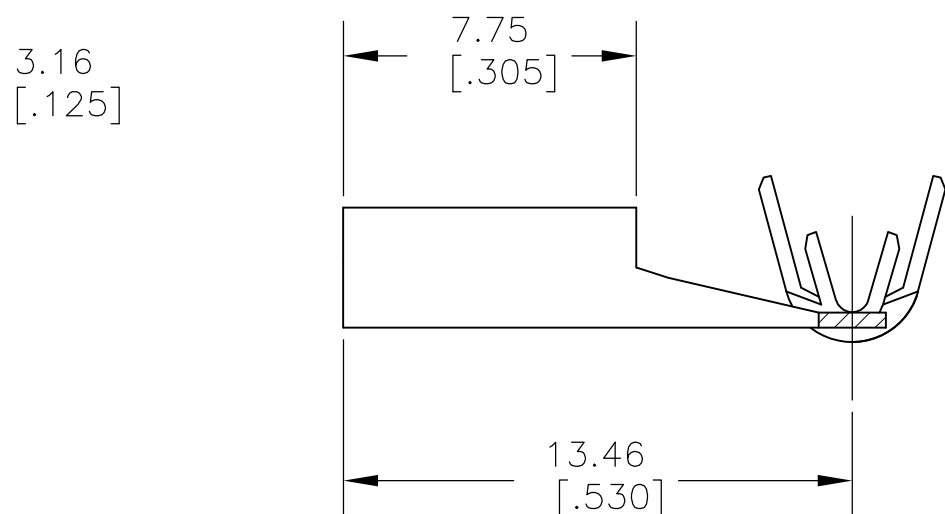
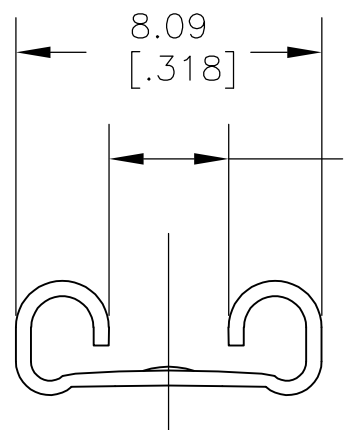
LOC AF DIST 50

REVISIONS

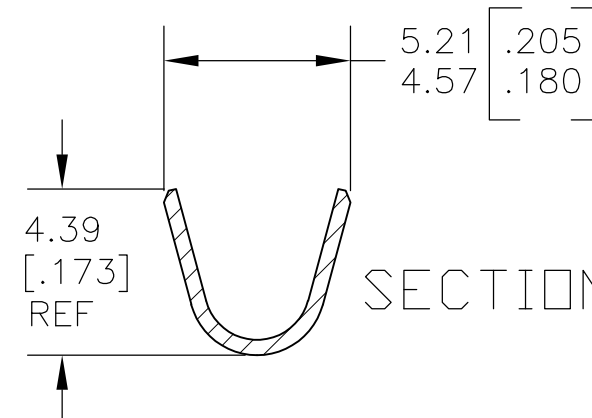
P	LTR	DESCRIPTION	DATE	DWN	APVD
B2		REVISE PER ECR-14-015900	08JAN2015	GRZ	JL



- 1 CONTINUOUS STRIP ON REELS
- 2 WIRE SIZE IS 500-1900 CMA, 0.6-1.1mm DIA., SINGLE WIRE CRIMP WIDTH IS 1.78 [.070], F TYPE
- 3 INSULATION RANGE 2.54-3.05 [.100-.120] DIA. CRIMP WIDTH IS 3.56 [.140], OVERLAP TYPE
- △4 0.002032 [.000080] MIN TIN PLATE
- 5 MATING TAB THK IS 0.81±0.025 [.032±.001].
- △6 0.001016 [.000040] MIN TIN PLATE



SECTION A-A



SECTION B-B

△6	1742881-2
△4	1742881-1
FINISH	PART NO

THIS DRAWING IS A CONTROLLED DOCUMENT.		DWN jr_ruth 08DEC10	STE TE Connectivity		
DIMENSIONS: MM [INCHES]		CHK PETE_DESANTIS 08DEC10			
TOLERANCES UNLESS OTHERWISE SPECIFIED:		APVD PETE_DESANTIS 08DEC10	NAME		
0 PLC ± -		PRODUCT SPEC	RECEPTACLE, FASTON, FLAG, AMPLIVAR, 6.35 [.250] SERIES		
1 PLC ± -		APPLICATION SPEC	SIZE	CAGE CODE	DRAWING NO
2 PLC ± 0.25 [.010]		—	A3	00779	C-1742881
3 PLC ± -		—	RESTRICTED TO		
4 PLC ± -		—	—		
ANGLES ± 5°		WEIGHT	—		
MATERIAL BRASS		FINISH SEE TABLE	CUSTOMER DRAWING		
			SCALE 5:1	SHEET 1 OF 1	REV B2