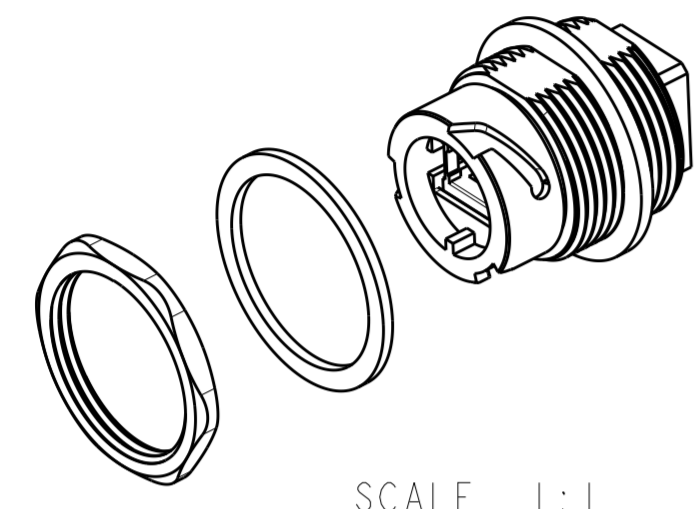


THIS DRAWING IS UNPUBLISHED. RELEASED FOR PUBLICATION 20
 © COPYRIGHT 20 BY - ALL RIGHTS RESERVED.

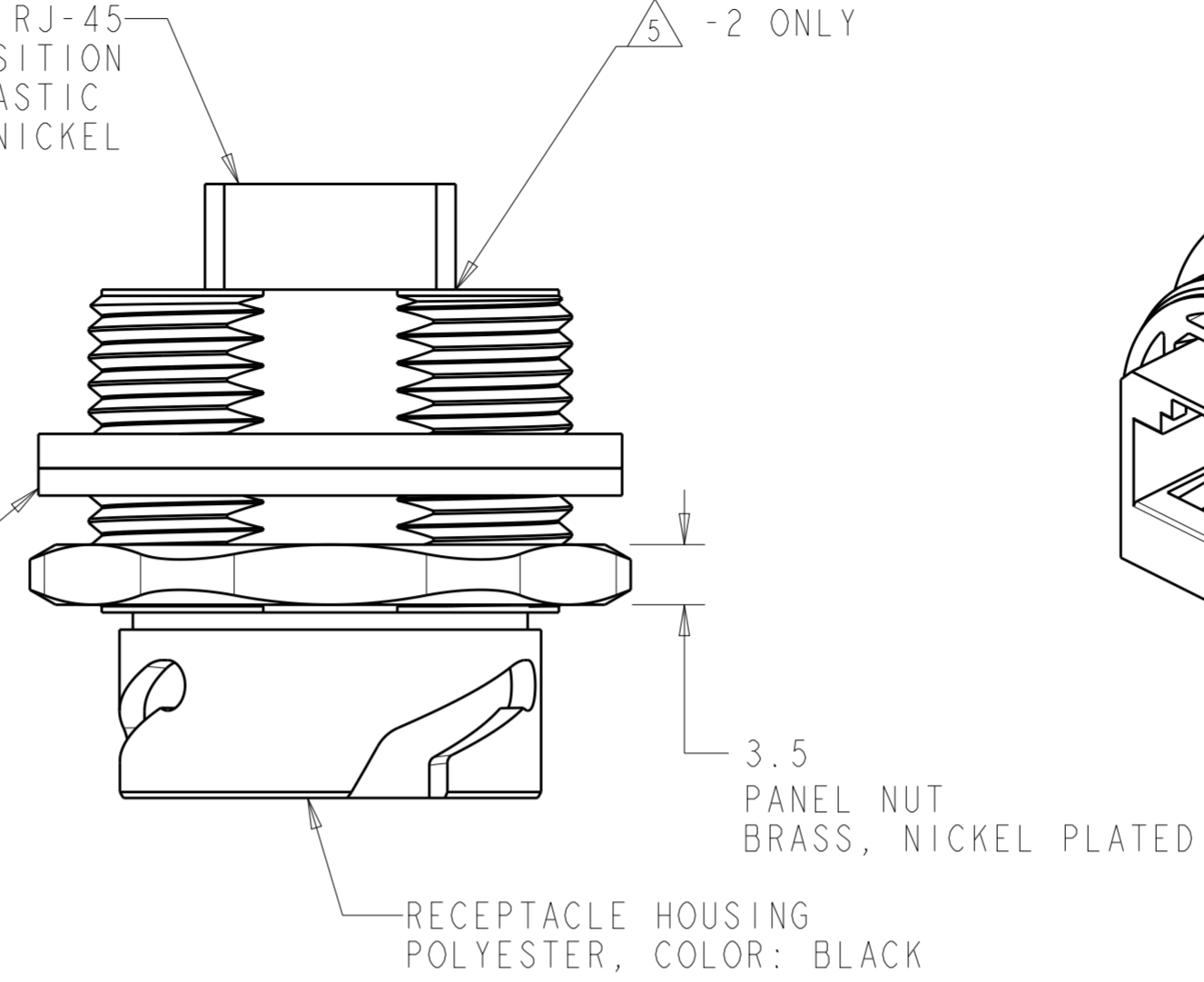
LOC	DIST	REVISIONS					
FT	0	P	LTR	DESCRIPTION	DATE	DWN	APVD
		C1		REVISED PER ECO-11-004820	11MAR2011	RK	HMR
		C2		PN 1-1738601-3 INTRODUCED (REFER SHEET 2)	27SEP2016	TJ	NG

COUPLER, RJ-45
 CATEGORY: SEE TABLE, 8 POSITION
 HOUSING: THERMOPLASTIC
 CONTACTS: PHOSPHOR BRONZE, GOLD OVER NICKEL



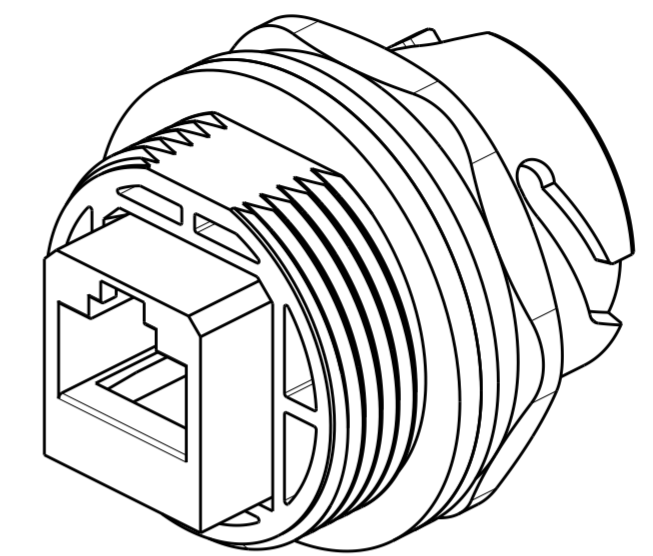
SCALE 1:1

△ PANEL GASKET
 ELASTOMER, COLOR: ORANGE

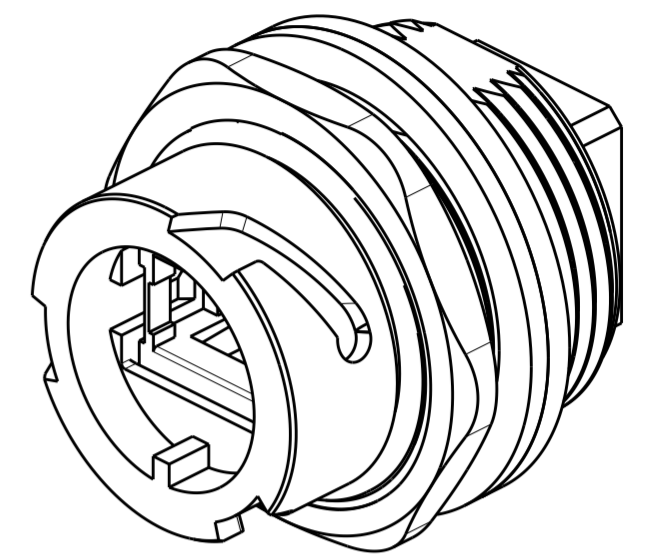


3.5
 PANEL NUT
 BRASS, NICKEL PLATED

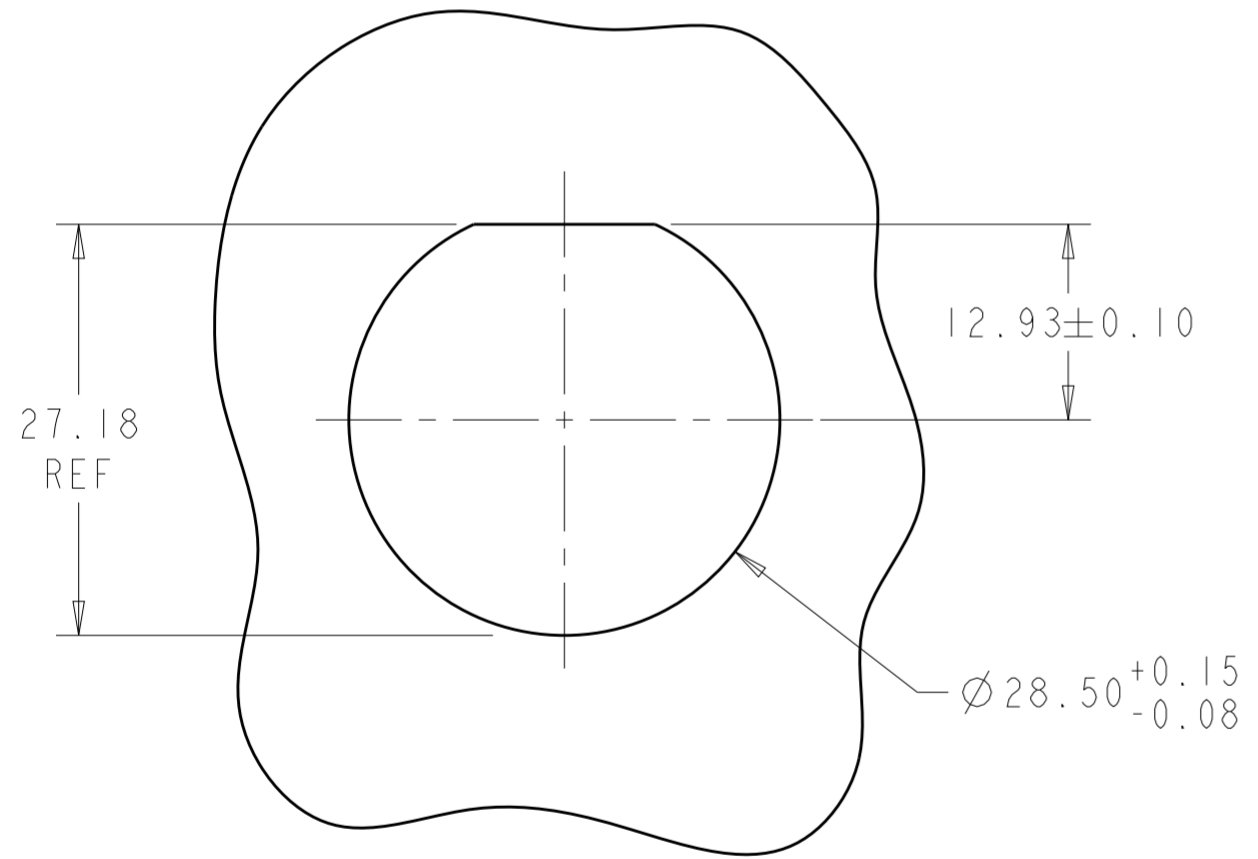
RECEPTACLE HOUSING
 POLYESTER, COLOR: BLACK



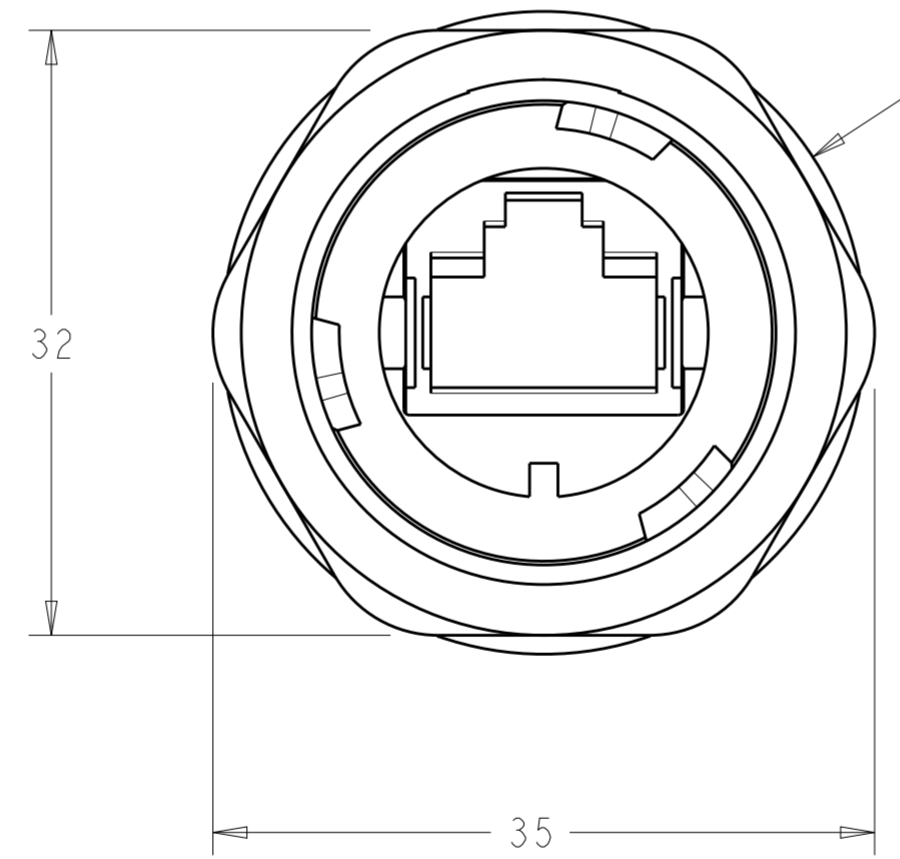
SCALE 2:1



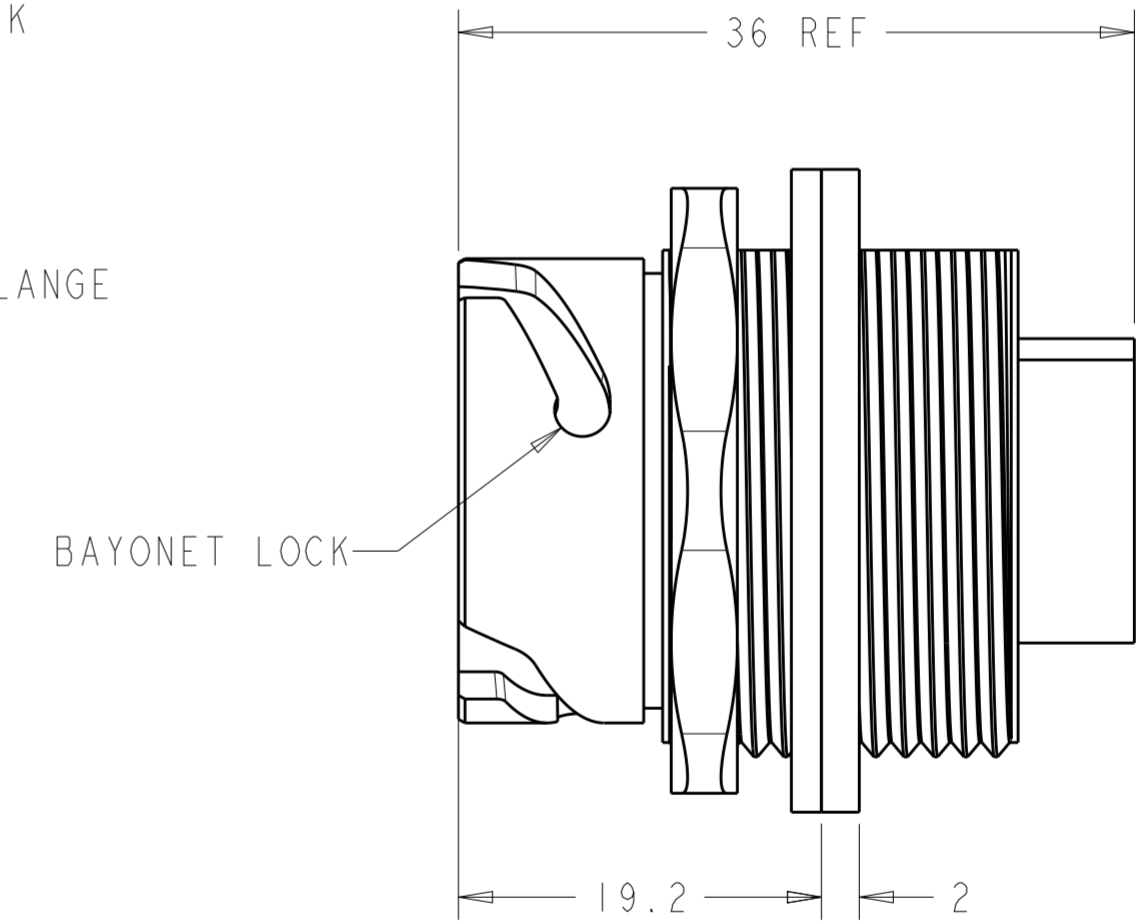
SCALE 2:1



△ SUGGESTED PANEL CUTOUT



∅ 34.0
 PANEL FLANGE



BAYONET LOCK

CAT 6e	NO	FRONT	△ 1-1738601-3
CAT 6e	NO	FRONT/REAR	1738601-3
CAT 5e	△ 5	FRONT/REAR	1738601-2
CAT 5e	NO	FRONT/REAR	1738601-1
CATEGORY	COUPLER BONDED	PANEL MOUNTING TYPE	PART NUMBER

- △ 1 CONNECTOR MAY BE FRONT OR REAR MOUNTED TO A MAXIMUM PANEL THICKNESS OF 3.2 mm.
- 2. COUPLER LINES CROSSOVER BETWEEN PORTS.
- 3. THIS PRODUCT HAS NOT COMPLETED VALIDATION TESTING.
- 4. PANEL NUT AND PANEL GASKET ARE PACKAGED UNASSEMBLED IN POLYBAG.
- △ 5 COUPLER BONDED TO HOUSING BY ADHESIVE ALONG EDGE WHERE COUPLER MEETS HOUSING, SEE TABLE.
- △ 6 PRELIMINARY

THIS DRAWING IS A CONTROLLED DOCUMENT.

DIMENSIONS: mm	TOLERANCES UNLESS OTHERWISE SPECIFIED: 0 PLC ±0.3 1 PLC ±0.2 2 PLC ±0.10 3 PLC ± 4 PLC ANGLES ±1° FINISH	DWN R.L. KOLLER 25MAR04 CHK J. LANDIS 26MAR04 APVD S. HEADER 17JUN	NAME RECEPTACLE KIT, INDUSTRIAL CIRCULAR ETHERNET CONNECTOR
MATERIAL		PRODUCT SPEC 108-2198 APPLICATION SPEC 114-13136 WEIGHT	SIZE CAGE CODE DRAWING NO RESTRICTED TO A2 00779 C-1738601 -
CUSTOMER DRAWING		SCALE 5:2	SHEET 1 OF 2 REV C2

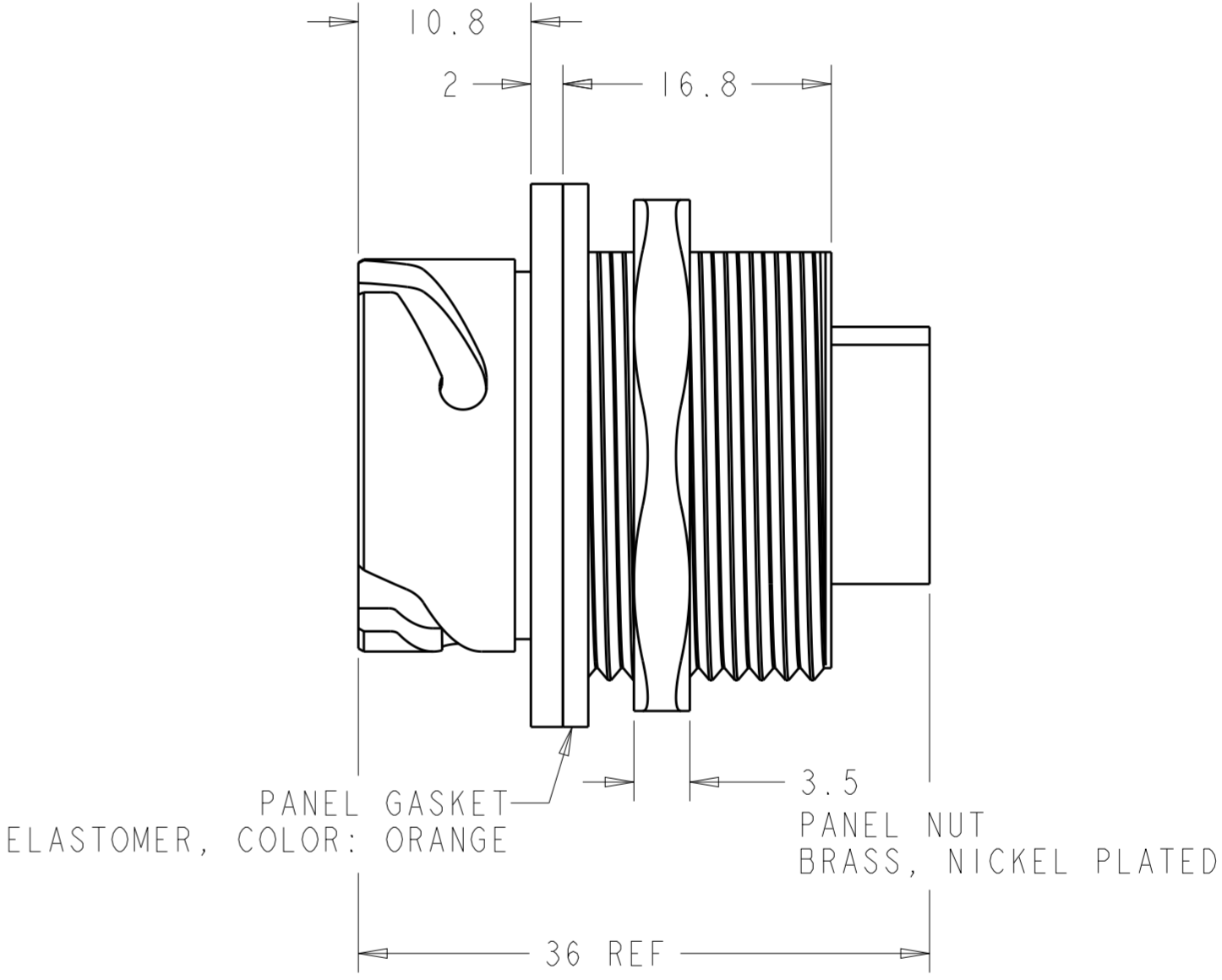
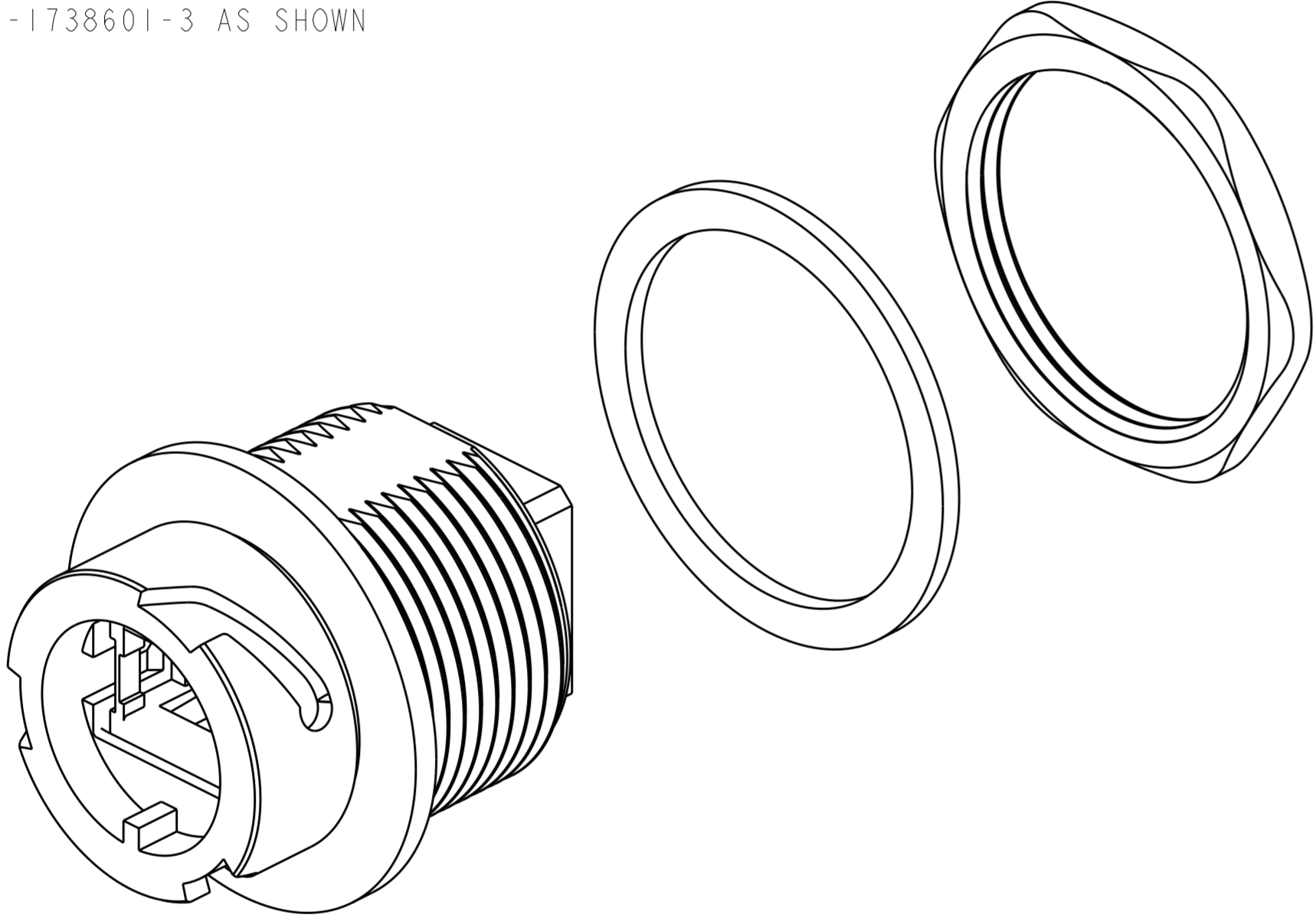
STE TE Connectivity

THIS DRAWING IS UNPUBLISHED. RELEASED FOR PUBLICATION 20
 © COPYRIGHT 20 BY - ALL RIGHTS RESERVED.

LOC	DIST	REVISIONS					
FT	0	P	LTR	DESCRIPTION	DATE	DWN	APVD
				SEE SHEET 1			

PRELIMINARY
vorläufig

PN 1-1738601-3 AS SHOWN



THIS DRAWING IS A CONTROLLED DOCUMENT.		DWN M THAJUDEEN 29AUG2016	TE Connectivity	
DIMENSIONS: mm		CHK GURURAJ S 29AUG2016		
TOLERANCES UNLESS OTHERWISE SPECIFIED:		APVD N GANI 29AUG2016	NAME RECEPTACLE KIT, INDUSTRIAL CIRCULAR ETHERNET CONNECTOR	
0 PLC ±0.3 1 PLC ±0.2 2 PLC ±0.10 3 PLC ± 4 PLC ± ANGLES ±1° FINISH		PRODUCT SPEC 108-2198	SIZE A2	CAGE CODE 00779
MATERIAL		APPLICATION SPEC 114-13136	DRAWING NO 1738601	RESTRICTED TO
		WEIGHT	SCALE 5:2 SHEET 2 OF 2 REV C2	
		CUSTOMER DRAWING		