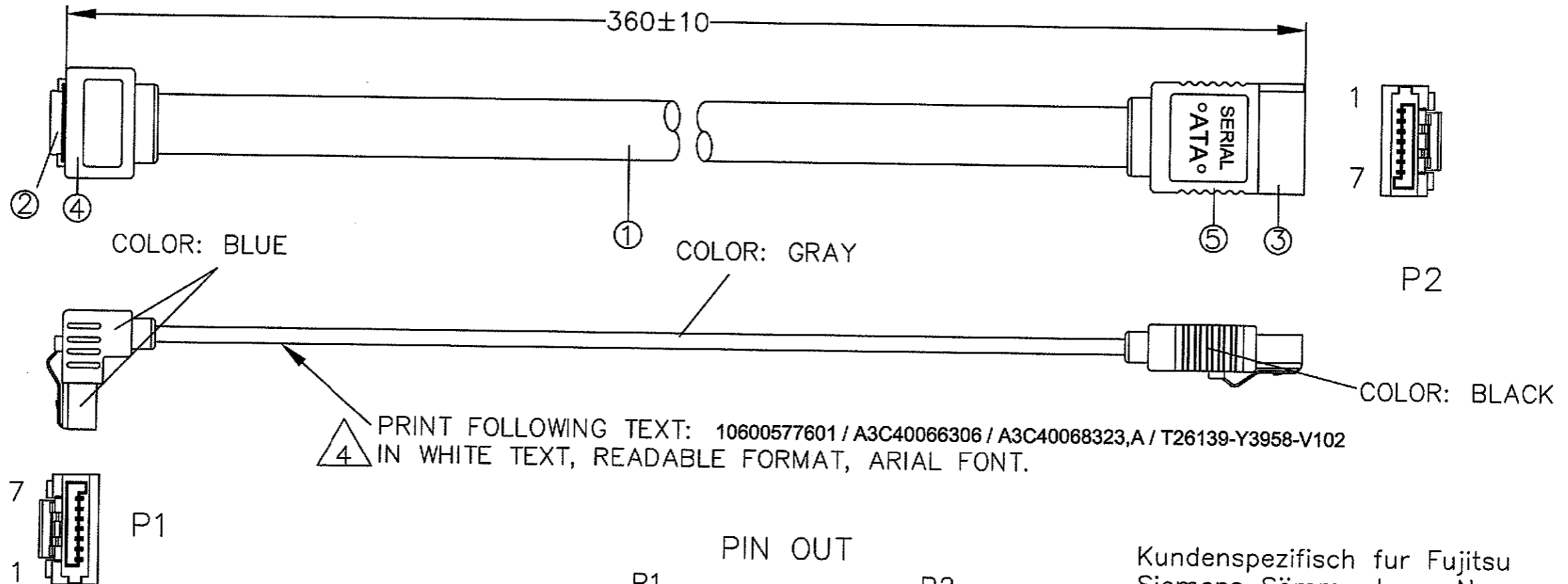
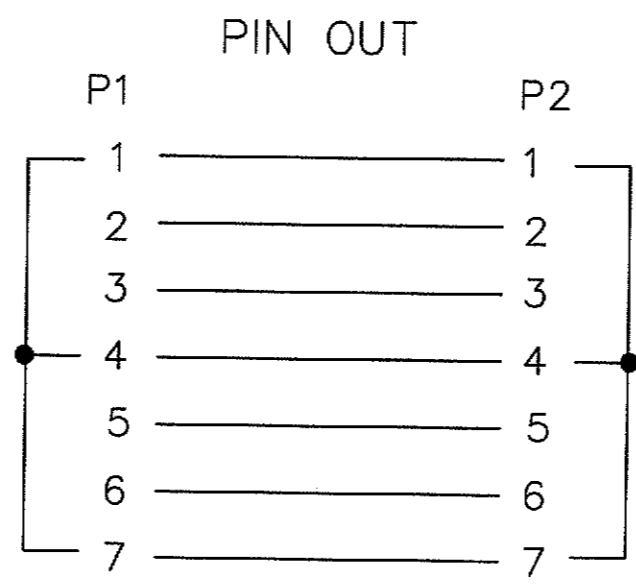


| | | | | | | | |
|-----|------|-----------|-----|---------------|----------|-----|------|
| LOC | DIST | REVISIONS | | | | | |
| H | - | P | LTR | DESCRIPTION | DATE | DWN | APVD |
| | | C | | ECR-05-013105 | 13-10-05 | PW | RS |



NOTE:
 ELECTRONIC TEST CONDITION:
 1.100%OPEN SHORT&MISWIRE TEST.
 2.CONDUCTIVE RESISTANCE: 2 ohm/Max.
 3.INSULATION RESISTANCE:100M ohm/Min.AT DC 30V.
 △ CABLE PRINTING



Kundenspezifisch für Fujitsu
 Siemens Sömmerda u. Nur zur
 internen Verwendung im Haus
 Fujitsu Siemens Sömmerda.

| | |
|-------------|------------------------|
| PN | △ 4 |
| 0-1705871-1 | WITH CABLE PRINTING |
| 9-1705871-1 | WITHOUT CABLE PRINTING |

| | | | |
|-----|--|------|------|
| 5. | OUTER MOLD: PVC 35P COLOR BLACK | 0.01 | KG |
| 4. | OUTER MOLD: PVC 35P COLOR BLUE | 0.01 | KG |
| 3. | SERIAL ATA 7P MALE CONNECTOR,SOLDER TYPE, WITH LATCH.INSULATION:BLACK;CONTACT GOLD FLASH | 1 | PCS |
| 2. | SERIAL ATA 7P MALE CONNECTOR,SOLDER TYPE, WITH LATCH.INSULATION:BLUE;CONTACT GOLD FLASH | 1 | PCS |
| 1. | CABLE: UL2725,26AWG*2PAIR+28AWG*4C+AL/MY PVC JACKET: GRAY. OD=2.2±0.1*7.8±0.2mm | 1 | PCS |
| NO. | DESCRIPTION | Q'TY | UNIT |

| | | | | | | | |
|--|--|------------------|-------------|---------------|----------------------------|------------------------------|-----------|
| THIS DRAWING IS A CONTROLLED DOCUMENT. | | DWN | P.Willems | 01-11-04 | tyco Electronics | Tyco Electronics Corporation | |
| DIMENSIONS: MM | | CHK | GvDoremalen | 01-11-04 | | s-HertogenBosch,Nederland, | |
| TOLERANCES UNLESS OTHERWISE SPECIFIED: | | APVD | R.Smeets | 01-11-04 | NAME SERIAL ATA CABLE ASSY | | |
| 0 PLC ± - | | PRODUCT SPEC | | - | | | |
| 1 PLC ± - | | APPLICATION SPEC | | - | | | |
| 2 PLC ± - | | SIZE | A3 | CAGE CODE | 00779 | DRAWING NO | C-1705871 |
| 3 PLC ± - | | WEIGHT | | RESTRICTED TO | | | |
| 4 PLC ± - | | CUSTOMER DRAWING | | - | | | |
| ANGLES ± - | | SCALE | | 1:1 | | SHEET 1 OF 2 | |
| FINISH | | REV | | C | | | |

4

3

2

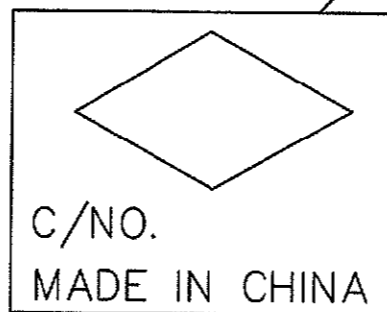
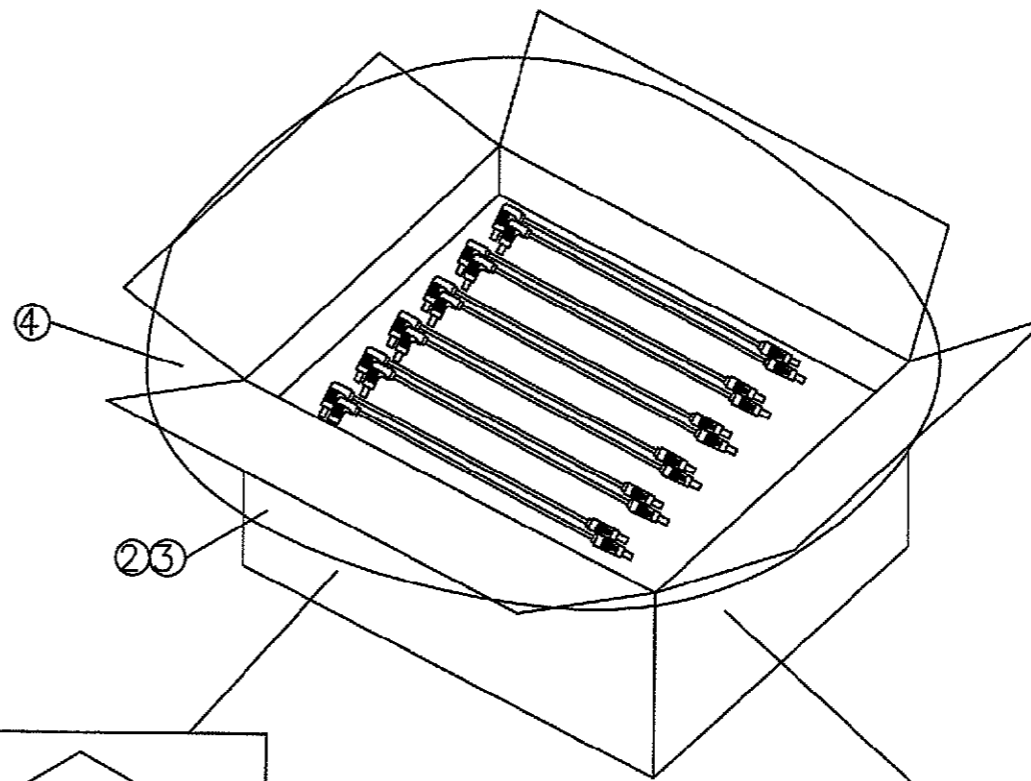
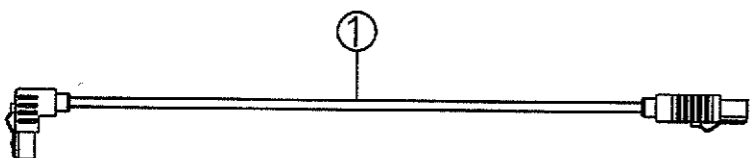
1

THIS DRAWING IS UNPUBLISHED. RELEASED FOR PUBLICATION

© COPYRIGHT BY TYCO ELECTRONICS CORPORATION. ALL RIGHTS RESERVED.

| LOC | DIST | REVISIONS | | | | | |
|-----|------|-----------|-----|-------------|------|-----|------|
| H | - | P | LTR | DESCRIPTION | DATE | DWN | APVD |
| | | | | SEE SHEET 1 | | | |

25 CABLES STRETCHED/SHEET
12SHEET/CARTON
300PCS/CARTON



NO HOOK KEEP DRY UP
ITEM NO. (180-1607100-01
1705871-1)
Q'TY: 300 PCS
N.W.: KGS
G.W.: KGS

REMARK:

- 1.25PCS STRETCHED/SHEET,12SHEET/CARTON,300PCS/CARTON.
- 2.PLACE THE CARD BOARD ON ALL THE SHEETS.

| NO. | PART NO. | DESCRIPTION | Q'TY | UNIT |
|-----|----------------|-------------------------------|------|------|
| 4. | 402-2100000-00 | PE-BAG: 920*640*0.08mm | 1 | PCS |
| 3. | 401-1100007-00 | CARTON: 400*320*215MM,K=A | 1 | PCS |
| 2. | 401-1200005-00 | CARD BOARD: 390*310MM | 12 | PCS |
| 1. | 180-1607200-01 | SERIAL ATA 7P/F TO 7P/F CABLE | 300 | PCS |

BILL OF MATERIALS

| | | | | | | |
|---|--|--------------------------------|--|--|--|--|
| THIS DRAWING IS A CONTROLLED DOCUMENT. | | DWN P.Willems 01-11-04 | tyco Electronics | | Tyco Electronics Corporation s-HertogenBosch,Nederland. | |
| DIMENSIONS: MM | | CHK GvDoremalen 01-11-04 | NAME SERIAL ATA CABLE ASSY PACKAGING | | | |
| TOLERANCES UNLESS OTHERWISE SPECIFIED: | | APVD R.Smeets 01-11-04 | PRODUCT SPEC APPLICATION SPEC | | | |
| | | 0 PLC ± - | SIZE A3 | | | |
| | | 1 PLC ± - | CAGE CODE 00779 | | | |
| | | 2 PLC ± - | DRAWING NO C=1705871 | | | |
| | | 3 PLC ± - | RESTRICTED TO | | | |
| | | 4 PLC ± - | SCALE 1:1 | | | |
| | | ANGLES ± - | SHEET 2 OF 2 | | | |
| MATERIAL | | FINISH | REV C | | | |
| - | | - | CUSTOMER DRAWING | | | |