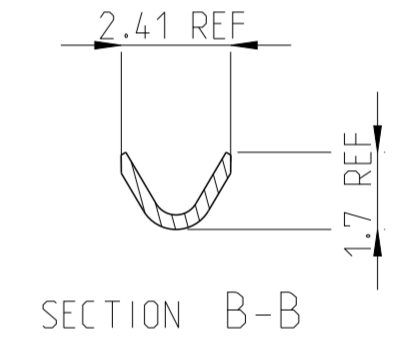
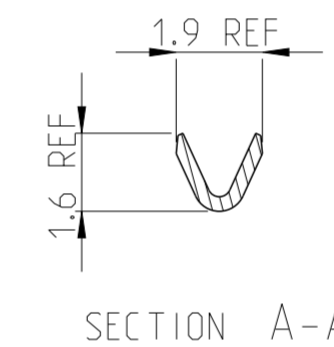
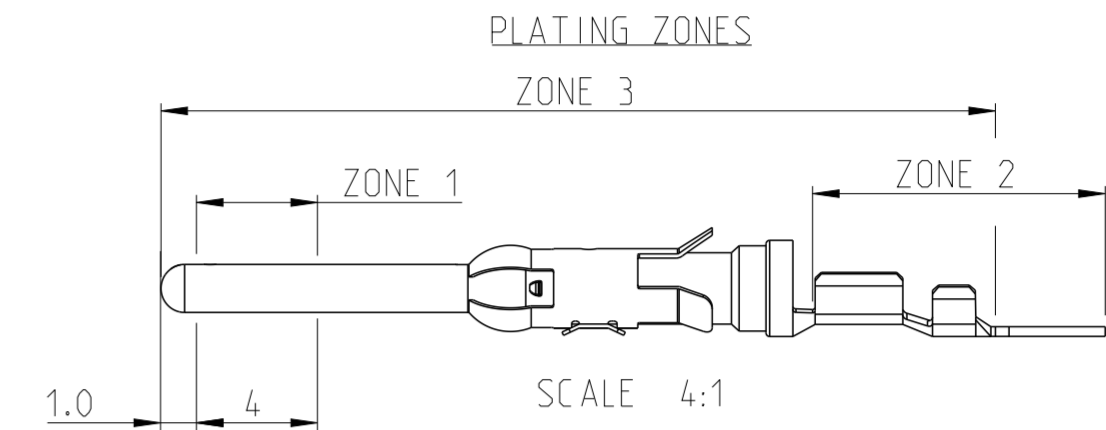
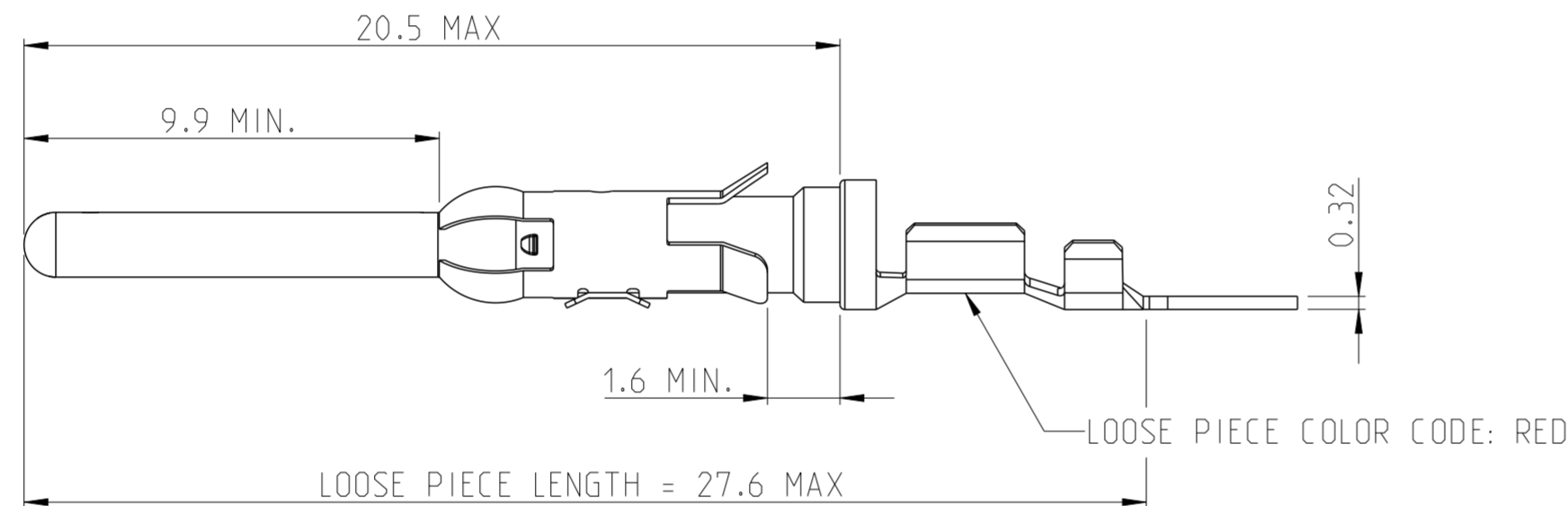
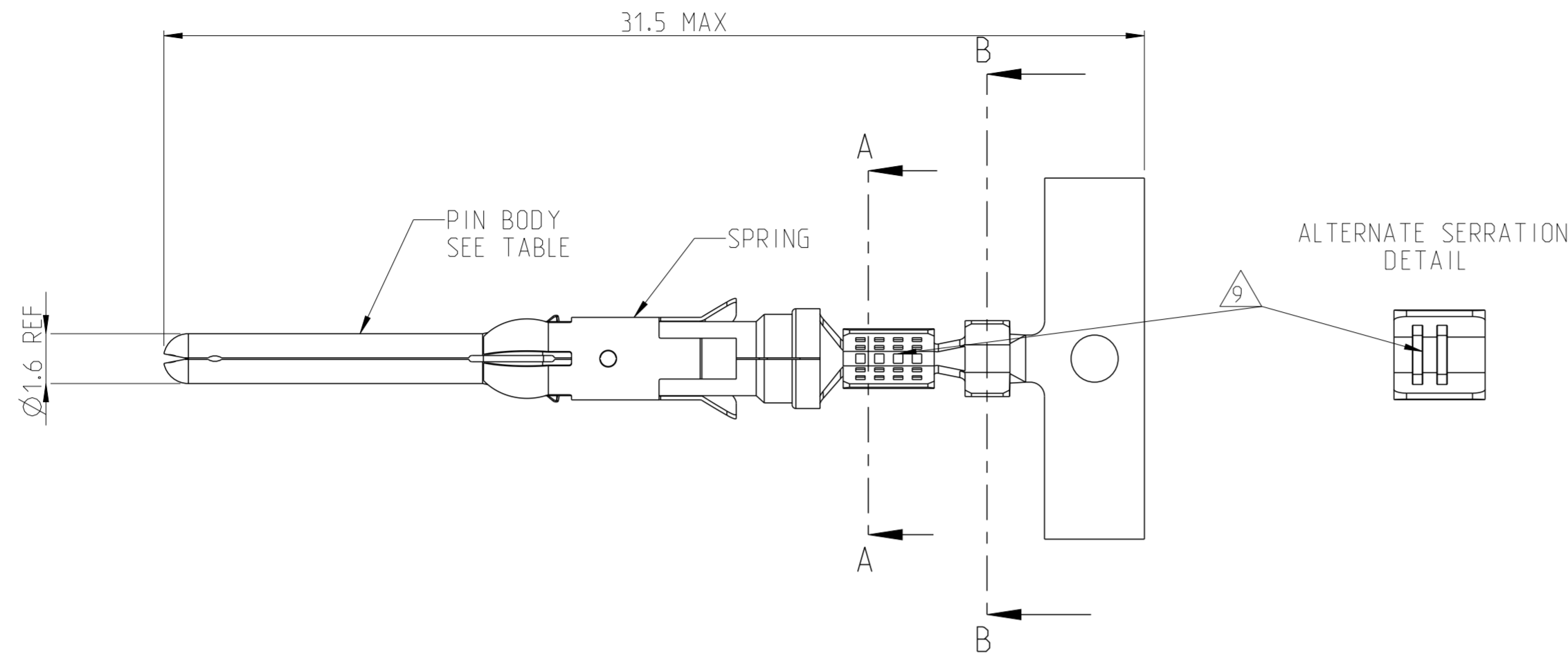
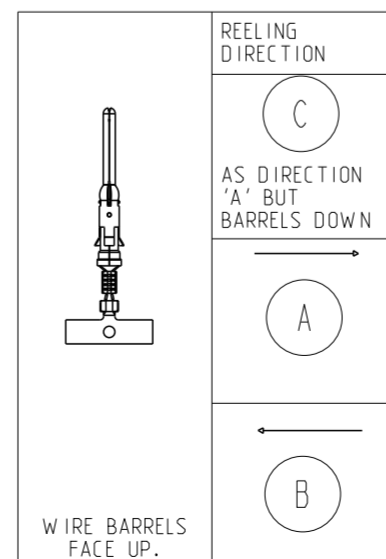


REVISIONS					
P	LTR	DESCRIPTION	DATE	DWN	APVD
AB		ECO-21-006957	25JUN2021	RK	MZ
AC		PLATING THICKNESS CHANGED REFER NOTE 7	29JUN2022	DM	SM



NOTES

- 1. 1.27 MICRON MIN NICKEL PLATE OVER ZONE 3.  
0.76 MICRON MIN PRECIOUS METAL PLATE OVER ZONE 1.  
1 MICRON MIN TIN PLATE OVER ZONE 2.  
(CONFORMS TO THE REQUIREMENTS OF TE CONNECTIVITY PRODUCT SPEC 108-10042  
BASED ON EIA/ECA-364-1000.01A (CONTROLLED ENVIRONMENT APPLICATIONS)
- 2. 1.27 MICRON MIN NICKEL PLATE OVER ZONE 3.  
0.76 MICRON MIN PRECIOUS METAL PLATE OVER ZONE 1.  
0.076 MICRON MIN GOLD FLASH PLATE OVER THE REMAINDER OF ZONE 3.  
(CONFORMS TO THE REQUIREMENTS OF TE CONNECTIVITY PRODUCT SPEC 108-10042  
BASED ON EIA/ECA-364-1000.01A (CONTROLLED ENVIRONMENT APPLICATIONS)
- 3. 1.54 - 2.54 MICRON SILVER PLATE OVER ZONE 3.
- 4. 1.27 MICRONS MIN NICKEL PLATE OVER ZONE 3.  
0.76 MICRON MIN GOLD PLATE OVER ZONE 1.  
0.076 MICRON MIN GOLDFLASH PLATE OVER THE REMAINDER OF ZONE 3.
- 5. 1.27 MICRONS MIN NICKEL PLATE OVER ZONE 3.  
0.76 MICRONS MIN GOLD PLATE OVER ZONE 1.  
1 MICRON MIN TIN PLATE OVER ZONE 2.
- 6. HOT-DIPPED PRETIN
- 7. 1.27 MICRON MIN NICKEL PLATE OVER ZONE 3.  
2.5 - 5.1 MICRONS ELECTRO-TIN PLATE OVER ZONE 3
- 8. 0.76 MICRONS MIN NICKEL PLATE OVER ZONE 3 PER QQ-N-290  
1.5 - 2.54 MICRONS SILVER PLATE OVER ZONE 3.
- 9. SERRATIONS CAN BE MULTILOCK OR TWO SLOTS
- 10. WIRE RANGE: 0.12-0.20 mm<sup>2</sup> (26-24 AWG)
- 11. INSULATION RANGE: 0.9-1.4 mm (.035-.055) DIA
- 12. LUBRICATE
- 13. OMISSION OF 6 CONTACTS MAX PER REEL OF 5000PCS.



THIS DRAWING IS A CONTROLLED DOCUMENT.	
DIMENSIONS: mm	TOLERANCES UNLESS OTHERWISE SPECIFIED: 0 PLC ±0.5 1 PLC ±0.25 2 PLC ±0.15 3 PLC ±0.15 4 PLC ± ANGLES ±2° FINISH SEE TABLE
MATERIAL SEE TABLE	SEE TABLE

REELING	FINISH	SPRING MATERIAL	PIN BODY	LOOSE PIECE	PART NUMBER
A	12	7	STAINLESS STEEL	BRASS	1-163089-3
A	1	7	STAINLESS STEEL	BRASS	1-163089-1
B	1	7	STAINLESS STEEL	BRASS	1-163090-0
A	7	7	STAINLESS STEEL	BRASS	163090-1
A	1	7	STAINLESS STEEL	BRASS	163089-9
A	1	7	STAINLESS STEEL	BRASS	163090-2
B	7	7	STAINLESS STEEL	BRASS	163089-8
B	7	7	STAINLESS STEEL	BRASS	163089-1

DWN J. BRIGHT	26/03/12	 TE Connectivity	NAME TYPE III+, SIZE 16, PIN ASS'Y 26-24 AWG, 0.9-1.4mm DIA INSULATION		
CHK M. GREENER	26/03/12				
APVD D. PENNINGTON	26/03/12				
PRODUCT SPEC 108-10042					
APPLICATION SPEC 114-10004		SIZE A2	CAGE CODE 100779	DRAWING NO 163089	RESTRICTED TO -
WEIGHT -		SCALE NTS	SHEET 1	OF 1	REV AC