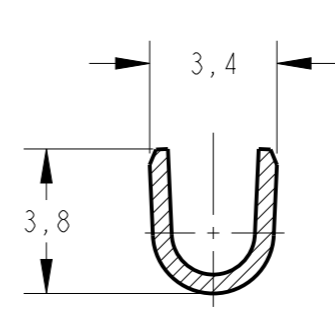
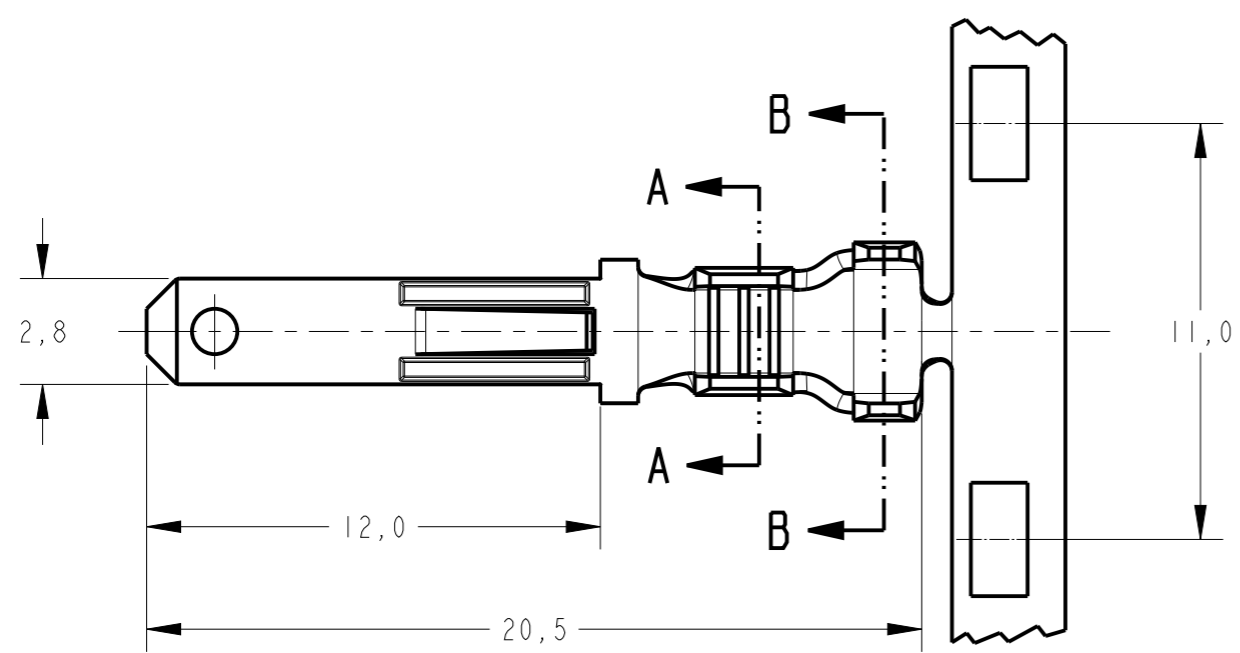


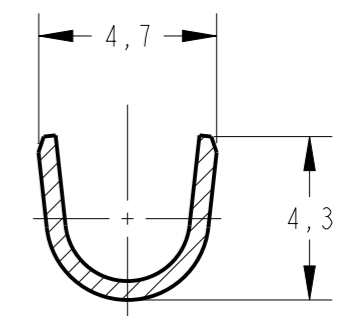
THIS DRAWING IS UNPUBLISHED. RELEASED FOR PUBLICATION 20
 © COPYRIGHT 20 BY - ALL RIGHTS RESERVED.

creo
 Creo Parametric 2.0
 DO NOT REUSE
 EXCEPT BY CAD

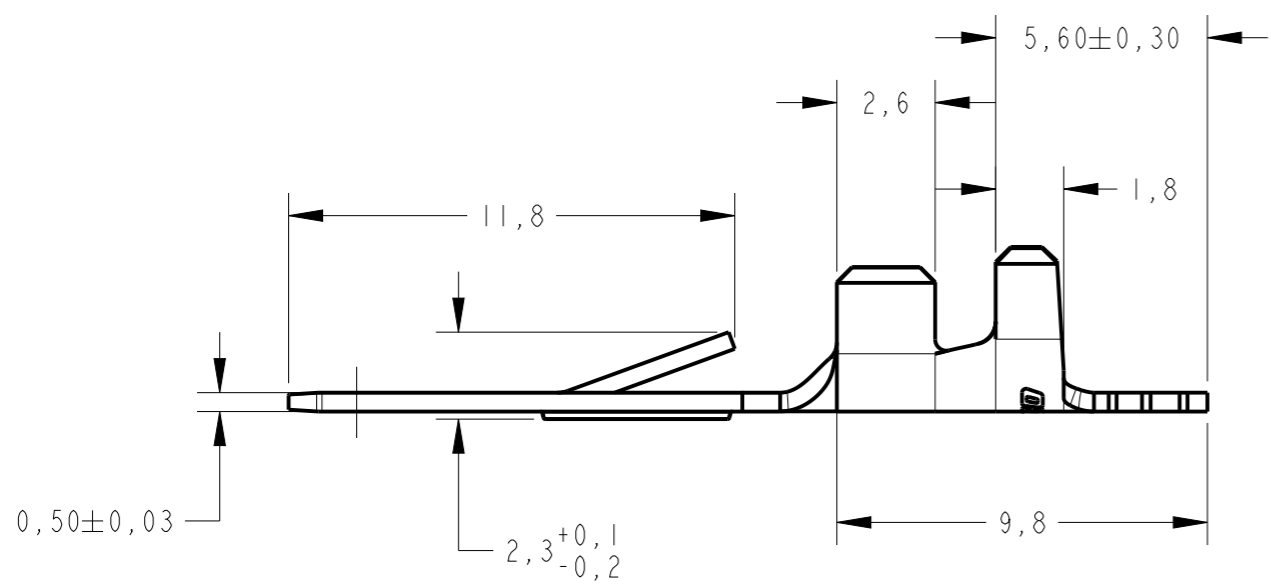
REVISIONS					
P	LTR	DESCRIPTION	DATE	DWN	APVD
	B	REDRAWN BY CAD ECO-14-001338	30JAN2014	NCL	LWP



SECTION A - A
 SCALE 5:1



SECTION B - B
 SCALE 5:1

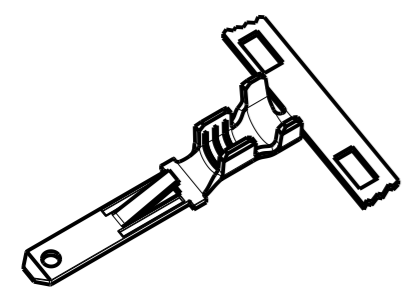


I - DESENHO RESTRITO À:
 HONDA; AMPLICABOS; SUMIDENSO

I - RESTRICTED DRAWING TO:
 HONDA; AMPLICABOS; SUMIDENSO

ESTANHADO	LATÃO / BRASS	1599182 -2
—	LATÃO / BRASS	1599182 -1
FINISH	MATERIAL	PART NO

THIS DRAWING IS A CONTROLLED DOCUMENT.		DWN 30JAN2014 NCLAPRESA	STE TE Connectivity	
DIMENSIONS: mm		CHK 30JAN2014 JRGOLDSCHMIDT		
TOLERANCES UNLESS OTHERWISE SPECIFIED:		APVD 30JAN2014 LWPRADO	NAME	
0 PLC ±-		PRODUCT SPEC	.110 TERMINAL, TAB.	
1 PLC ±0,3		APPLICATION SPEC	SIZE A3	CAGE CODE -
2 PLC ±-		WEIGHT -	DRAWING NO C-1599182	RESTRICTED TO -
3 PLC ±-		Customer Drawing	SCALE 5:1	SHEET 1 OF 1
4 PLC ±-				REV B
ANGLES ±30'				
MATERIAL SEE TABLE	FINISH SEE TABLE			



PERSPECTIVE VIEW
 SCALE 2:1

WIRE RANGE	0,5-1,5mm ²
INSULATION RANGE	∅ 2,1-2,7mm