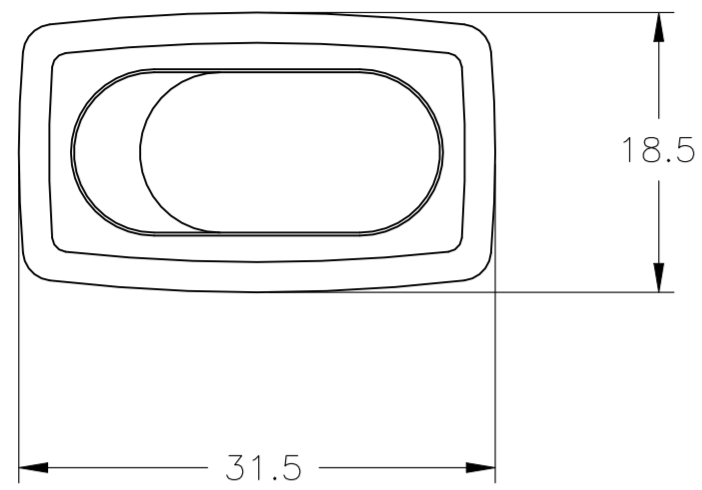
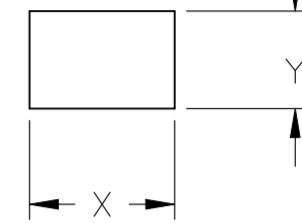


THIS DRAWING IS UNPUBLISHED. RELEASED FOR PUBLICATION
 © COPYRIGHT - By - ALL RIGHTS RESERVED.

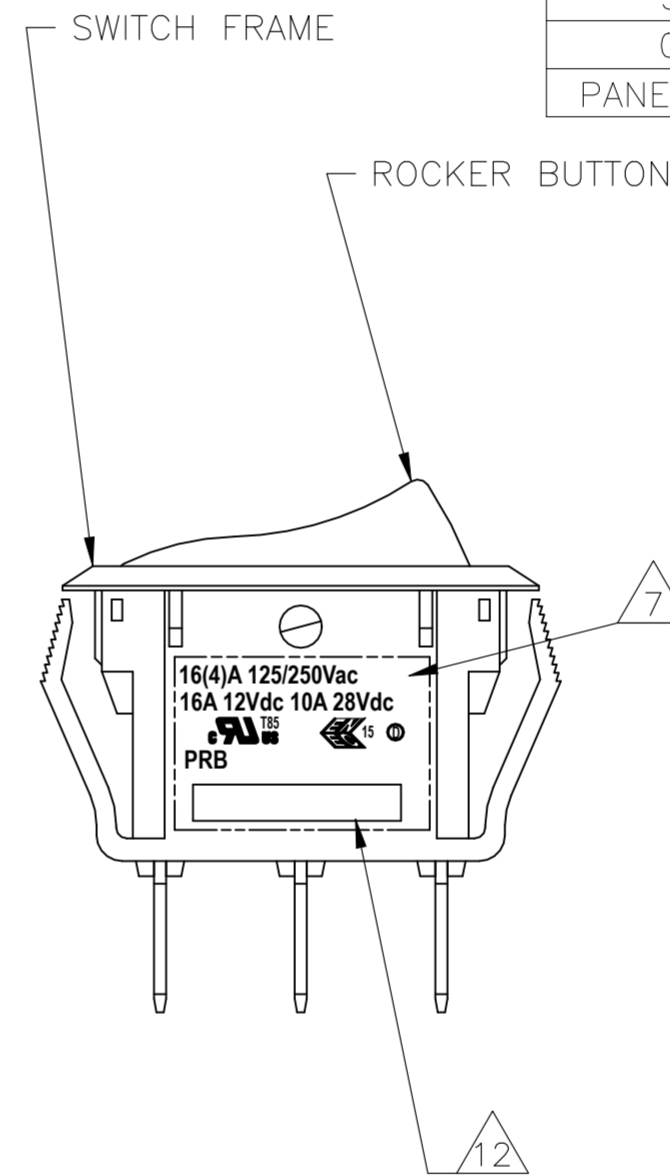
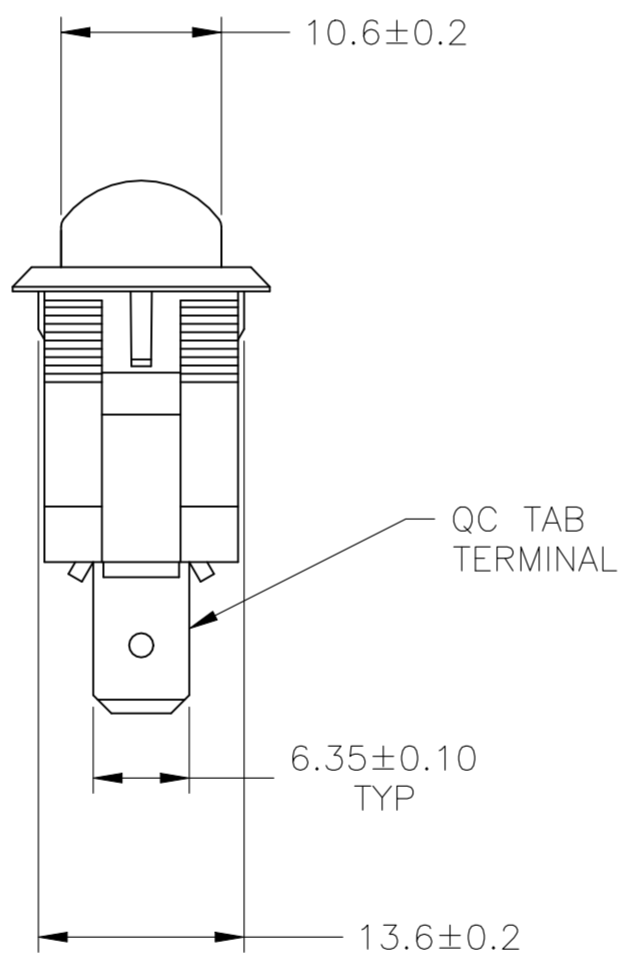
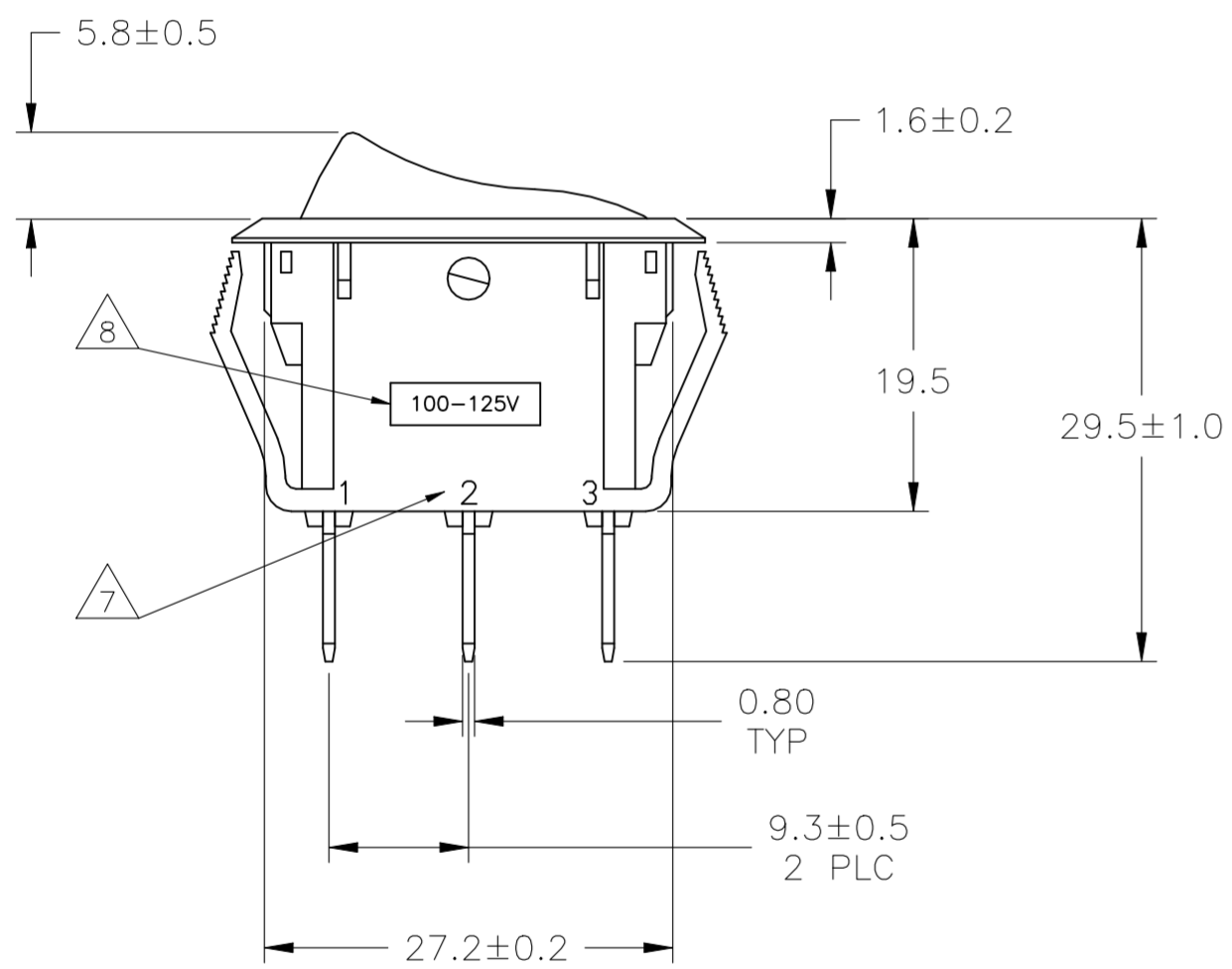
REVISIONS				
P	LTR	DESCRIPTION	DATE	APVD
H		REVISED PER ECN-23-227856	13SEP2023	GSK MD



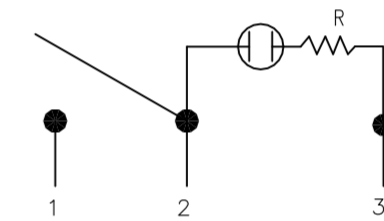
PANEL CUT OUT



4.00-5.00	28.0-0.1	13.8+0.1
3.00-4.00	27.8-0.1	13.8+0.1
0.75-3.00	27.6-0.1	13.8+0.1
PANEL THICKNESS	X	Y



SWITCH FUNCTION B1 & B3
CIRCUIT DIAGRAM



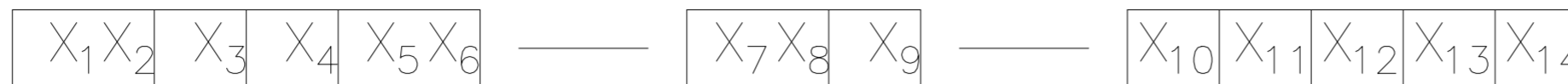
1571092-1 SHOWN

THIS DRAWING IS A CONTROLLED DOCUMENT.		DWN M.BINNER	25FEB2002	TE TE Connectivity	
DIMENSIONS: mm		CHK J.MOSIER	APVD -		
TOLERANCES UNLESS OTHERWISE SPECIFIED:		PRODUCT SPEC		POWER ROCKER SWITCH 13.8mmX27.6mm	
0 PLC ± -		NOT APPLICABLE		PANEL SIZE SPST 3 TERMINALS, LAMP-ILLUMINATED	
1 PLC ± 0.30		APPLICATION SPEC		SIZE	RESTRICTED TO
2 PLC ± 0.05		NOT APPLICABLE		A2	-
3 PLC ± -		MATERIAL		CAGE CODE	DRAWING NO
4 PLC ± -		FINISH		00779	C=1571092
ANGLES ± -		WEIGHT		SCALE 2:1 SHEET 1 OF 2 REV H	
1		2		CUSTOMER DRAWING	

THIS DRAWING IS UNPUBLISHED. RELEASED FOR PUBLICATION
 © COPYRIGHT - By - ALL RIGHTS RESERVED.

REVISIONS				
P	LTR	DESCRIPTION	DATE	APVD
-	-	SEE SHEET 1	-	-

LEGACY PART NUMBER



SWITCH TYPE: X1 X2 = PR - POWER ROCKER

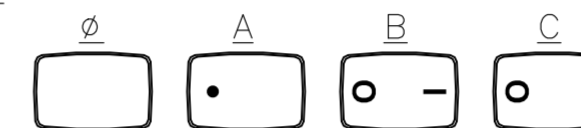
SECONDARY ROCKER COLOR: X12 = ∅ - NOT APPLICABLE

NOMINAL PANEL CUT OUT SIZE: X3 = B - 13.8x27.6

NUMBER OF POLES: X4 = S - SINGLE

SWITCH FUNCTION: X5 X6 = B1 - ON-OFF, TRANSPARENT, LAMP ILLUMINATED
 ROCKER BUTTON (100-125 VAC LAMP VOLTAGE)
B3 - ON-OFF, TRANSPARENT, LAMP ILLUMINATED
 ROCKER BUTTON (200-250 VAC LAMP VOLTAGE)

LEGEND TEXT PATTERN: X13 =



CURRENT RATING: X7 X8 = 16 - △6

TERMINAL TYPE: X9 = F - QC TAB
L - SOLDER LUG

LEGEND TEXT COLOR: X14 = ∅ - NOT APPLICABLE

- G - GREEN
- R - RED
- B - BLACK
- W - WHITE

FRAME COLOR: X10 = B - BLACK
W - WHITE

ROCKER COLOR: X11 = A - AMBER
C - CLEAR
G - GREEN
R - RED

- 1. **MATERIALS:**
 LAMP BASE & HOUSING: NYLON 66, UL 94 V-2.
 ROCKER BUTTON: POLYCARBONATE UL 94 V-2.
 TERMINAL (NOS. 1 & 2), ACTIVE CONTACTOR: COPPER ALLOY PER ASTM B152/B152M
 TERMINAL (NO. 3), PLUNGER: COPPER ALLOY PER ASTM B036
 PLUNGER SPRING: STEEL WIRE PER ASTM A228/A228M
 CONTACT: SILVER-TIN OXIDE
 LAMP SPRING: STAINLESS STEEL WIRE
 LAMP: GLASS-ENCLOSED NEON LAMP
 LAMP RESISTOR: 33kΩ, 1/8W RATED, (100-125V LAMP VOLTAGE)
 150kΩ, 1/8W RATED, (200-250V LAMP VOLTAGE)
- 2. **FINISH:**
 ACTIVE CONTACTOR, TERMINALS (No. 1&2): 1.0μm MIN SILVER
 PLUNGER: 3.0μm MIN NICKEL
- 3. **ELECTRICAL SPECIFICATIONS:**
 CURRENT & VOLTAGE: △6
 LAMP VOLTAGE: SWITCH FUNCTION B1, 100-125 VAC
 SWITCH FUNCTION B3, 200-250 VAC
 CONTACT RESISTANCE (INITIAL): <50mΩ
 DIELECTRIC STRENGTH (INITIAL): >1000 VAC, 1 MINUTE
 INSULATION RESISTANCE (INITIAL): >100MΩ MIN (500VDC BETWEEN OPEN CONTACTS)
 INRUSH CURRENT: 50A / 3msec (CAPACITIVE LOAD)
 ELECTRICAL LIFE ENDURANCE: >6000 OPERATIONS,
 TEMPERATURE RISE AT TERMINALS: <30°C, 6000 OPERATIONS
 (AMBIENT CONDITIONS: 25±2°C AND 65±5%R.H)
- 4. **MECHANICAL SPECIFICATIONS:**
 ACTUATING FORCE: 300g MIN, 700g MAX
 OPERATING LIFE ENDURANCE: >100,000 OPERATIONS
 TERMINAL RETENTION STRENGTH: >2.5kg- SOLDER LUG
 >10.0kg- QC TAB

- 5. **ENVIRONMENTAL SPECIFICATIONS:**
 AMBIENT TEMPERATURE: -20°C TO +85°C
 HUMIDITY: MAX 85%
 SALT SPRAY: NO REMAKABLE RUST IN METAL PARTS. (5% SALT / 35°C 24HRS)
 SHOCK: NO MECHANICAL DEFECT OR DAMAGE. (100g / 10MSEC/ X,Y,Z 3 TIMES)
 VIBRATION: NO MECHANICAL DEFECT OR DAMAGE. (10-55Hz / 1.5mm/ X,Y,Z 2HRS)
 DEGREE OF PROTECTION: IP40
- 6. **RATINGS:** 16(4) A, 125/250 V ac,
 16 A, 12 V dc, 10 A, 28 V dc
- 7. **ELECTRICAL RATINGS, APPROVED AGENCY LOGOS, TERMINAL IDENTIFICATION NUMBERS, MOLDED APPROXIMATELY AS SHOWN ON THE SIDES OF THE SWITCH HOUSING.**
- 8. **THE LAMP VOLTAGE RATING IS LISTED ON THE LABEL LOCATED ON THE SIDE OF THE SWITCH HOUSING, APPROXIMATELY AS SHOWN.**
- 9. **COMPONENT RECOGNIZED TO US & CANADIAN STANDARDS, UL FILE NO. E46765.**
- 10. **COMPONENT-RECOGNIZED TO EUROPEAN STANDARDS (ENEC & DEMKO) MARKS LICENSE NO ENEC-03738 & D-08816**
- 11. **ROHS 2002/95/EC COMPLIANT**
- 12. **TE CONNECTIVITY LOGO LOCATED APPROXIMATELY AS SHOWN**

OBSOLETE	PRBSB1-16F-BC000	1571092-4
	PRBSB1-16F-BA000	1571092-3
OBSOLETE	PRBSB1-16F-BROBW	1571092-2
	PRBSB1-16F-BR000	1571092-1
	LEGACY PART NUMBER	PART NUMBER

THIS DRAWING IS A CONTROLLED DOCUMENT.		DWN M.BINNER	25FEB2002	TE TE Connectivity	
DIMENSIONS: mm		CHK J.MOSIER	APVD -		
TOLERANCES UNLESS OTHERWISE SPECIFIED:		PRODUCT SPEC		POWER ROCKER SWITCH 13.8mmX27.6mm	
0 PLC ± -		NOT APPLICABLE		PANEL SIZE SPST 3 TERMINALS, LAMP-ILLUMINATED	
1 PLC ± 0.30		APPLICATION SPEC		SIZE	RESTRICTED TO
2 PLC ± 0.05		NOT APPLICABLE		A2	
3 PLC ± -		WEIGHT		00779	
4 PLC ± -		FINISH		C=1571092	
ANGLES ± -		CUSTOMER DRAWING		SCALE	SHEET
MATERIAL		SCALE 2:1		2 of 2	REV H