

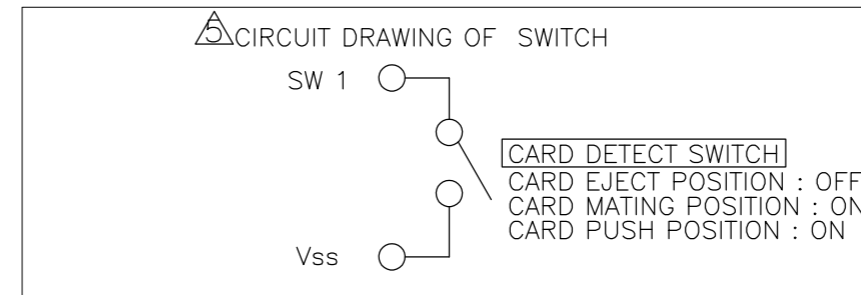
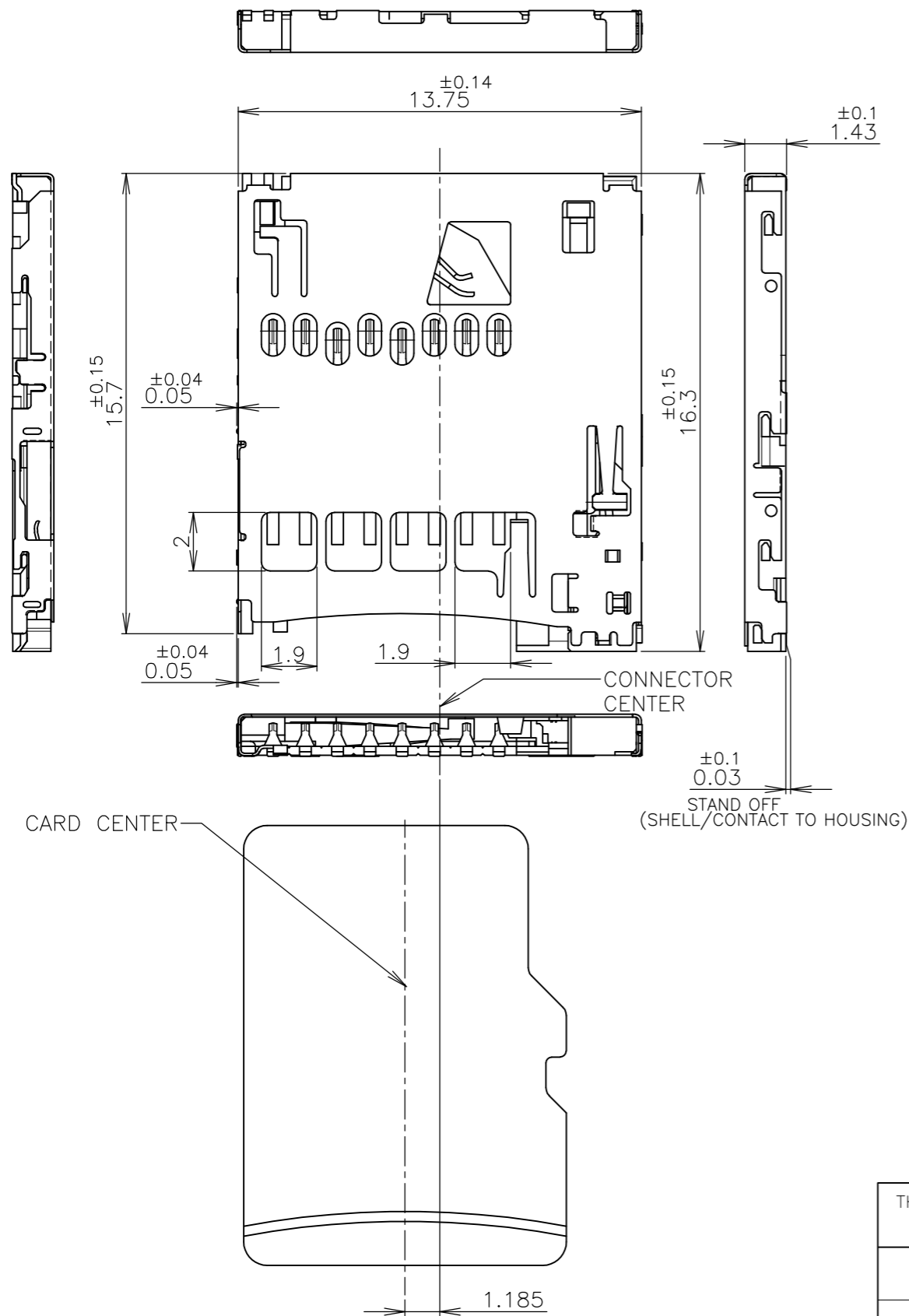
LOC	DIST	REVISIONS					
		P	LTR	DESCRIPTION	DATE	DWN	APVD
J	/		A	RELEASED	01DEC09	J.T	Y.N

NOTE

1.MATERIAL HOUSING,SLIDER : THERMOPLASTIC RESIN
UL94V-0, COLOR;BLACK
CONTACT : COPPER ALLOY
SHELL : COPPER ALLOY
COIL : SWP
CAM ROD : STAINLESS STEEL
HOOK SPRING : STAINLESS STEEL

2 FINISH CONTACT : Ni UNDER PL
Au PL AT CONTACT AREA
Au PL AT SOLDERING AREA
SHELL : Ni UNDER PL
Au PL AT SOLDERING AREA

△ NON-CUMULATIVE TOLERANCE
4. COPLANARITY IS 0.1MAX.
△ CIRCUIT DRAWING OF SWITCH.
6. OVERALL TOLERANCE:±0.1

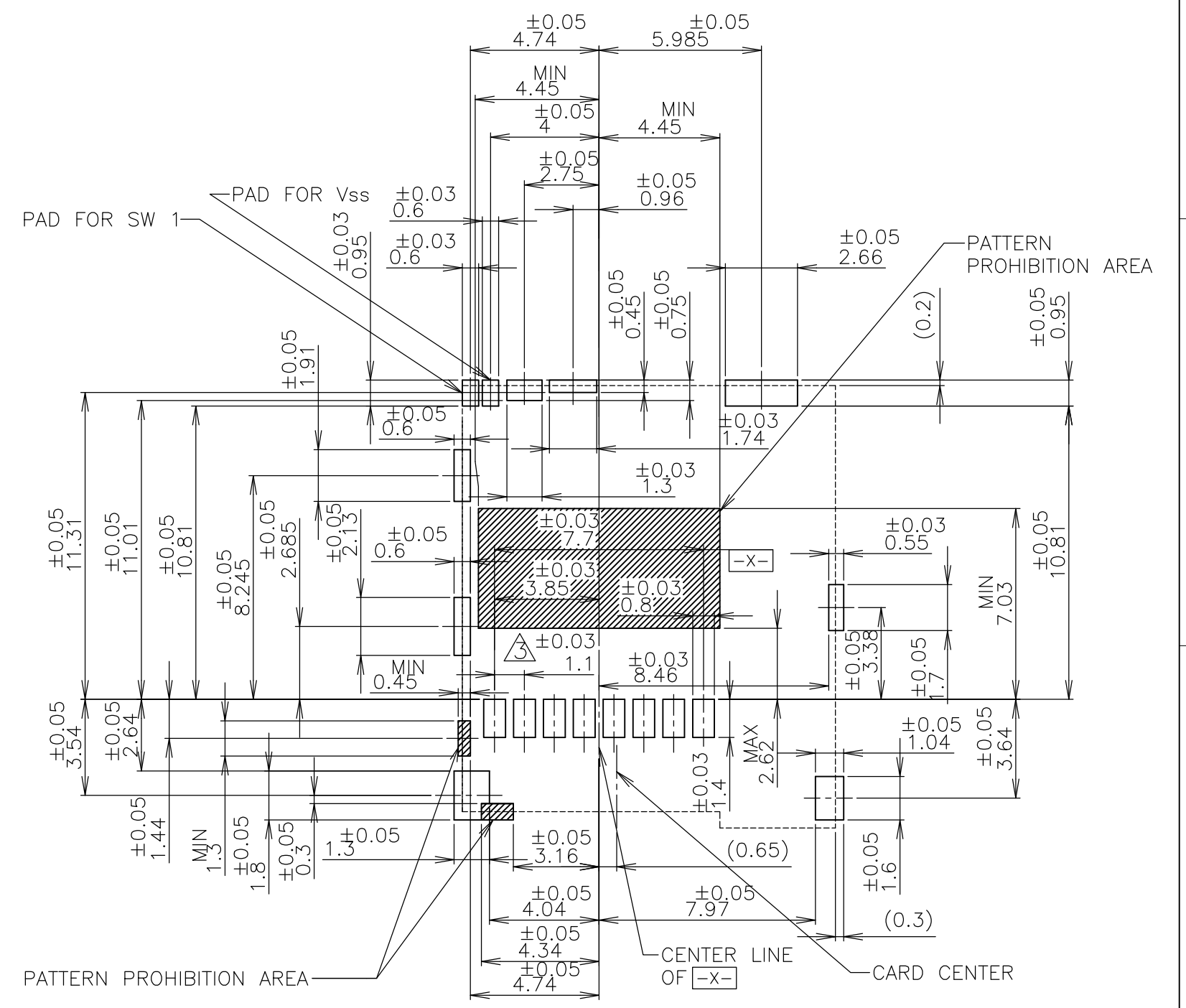
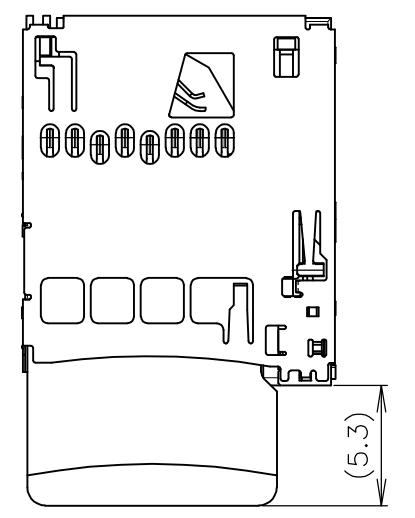
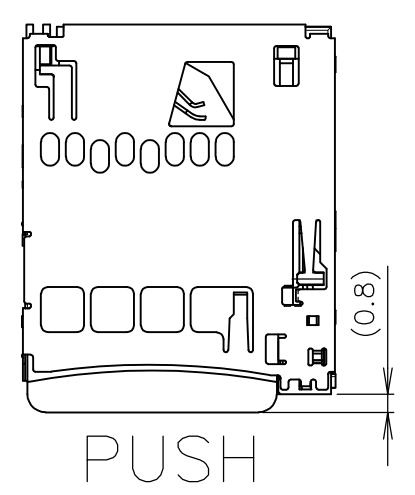
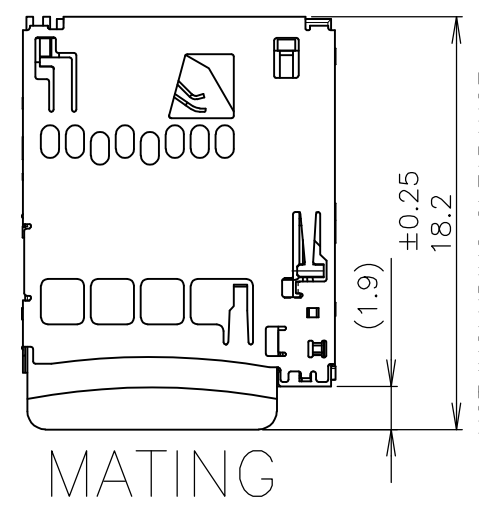


THIS DRAWING IS A CONTROLLED DOCUMENT.		DWN J.TSUJI 01DEC2009	Tyco Electronics AMP K.K. Kawasaki,Japan	
DIMENSIONS: MM		CHK Y.NAKAZAWA 01DEC2009	MICRO SD WITH SWITCH	
TOLERANCES UNLESS OTHERWISE SPECIFIED:		APVD Y.NAKAZAWA 01DEC2009	PUSH-PUSH TYPE CI-1	
0 PLC ± -		PRODUCT SPEC	108-78680	
1 PLC ± -		APPLICATION SPEC	CUSTOMER DRAWING	
2 PLC ± -		WEIGHT 0.31g	SIZE A300779	CAGE CODE C-1554304
3 PLC ± -		SCALE 5:1 SHEET 1 OF 3 REV A		
4 PLC ± -		RESTRICTED TO -		
ANGLES ± -		REVISION		
FINISH		REVISION		
MATERIAL		REVISION		
PART NUMBER 1554304-1		REVISION		

THIS DRAWING IS UNPUBLISHED. RELEASED FOR PUBLICATION APR , 2009.

© COPYRIGHT 2009 BY TYCO ELECTRONICS CORPORATION. ALL RIGHTS RESERVED.

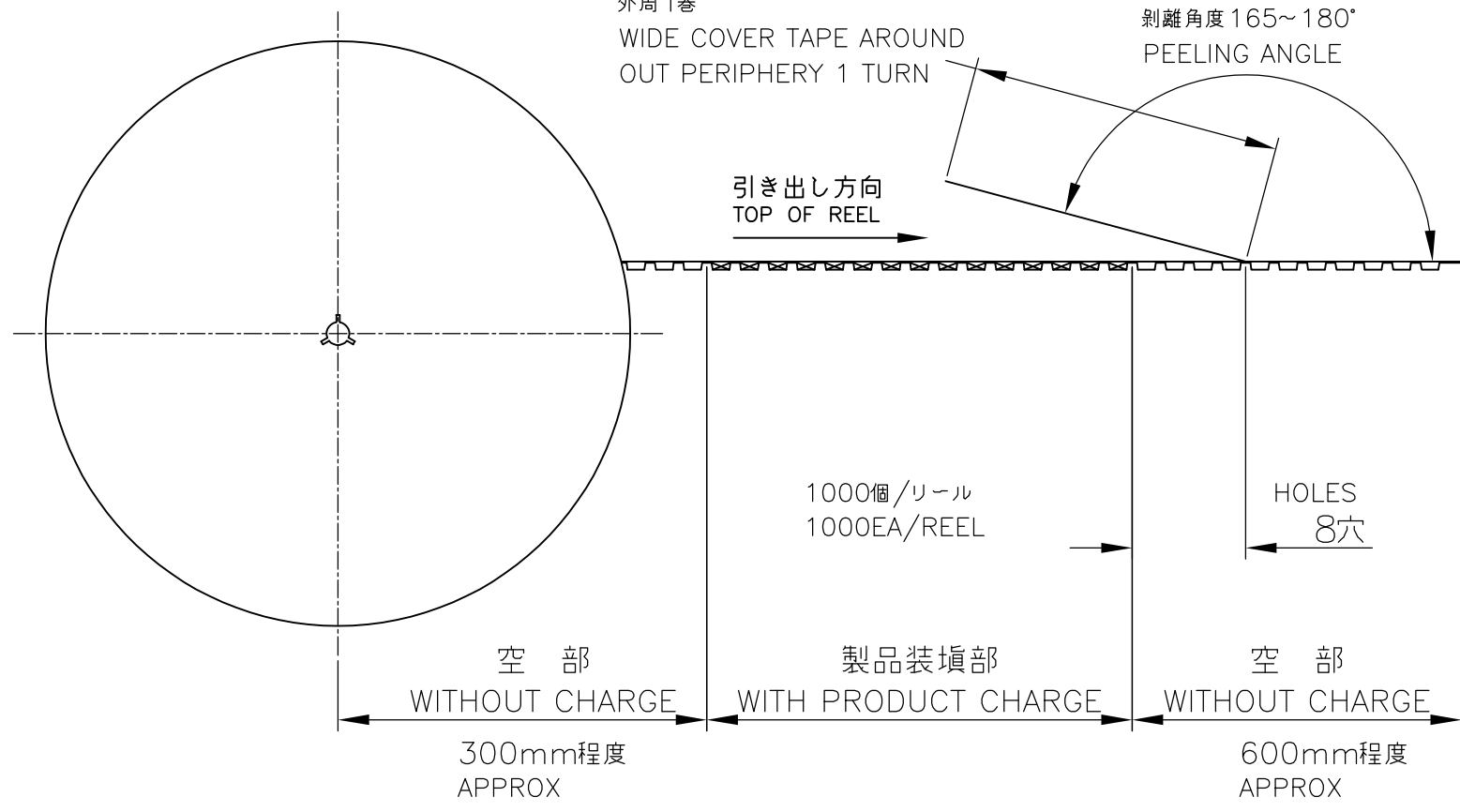
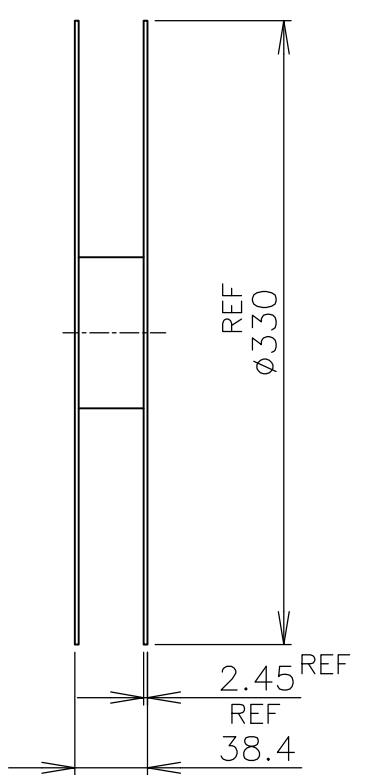
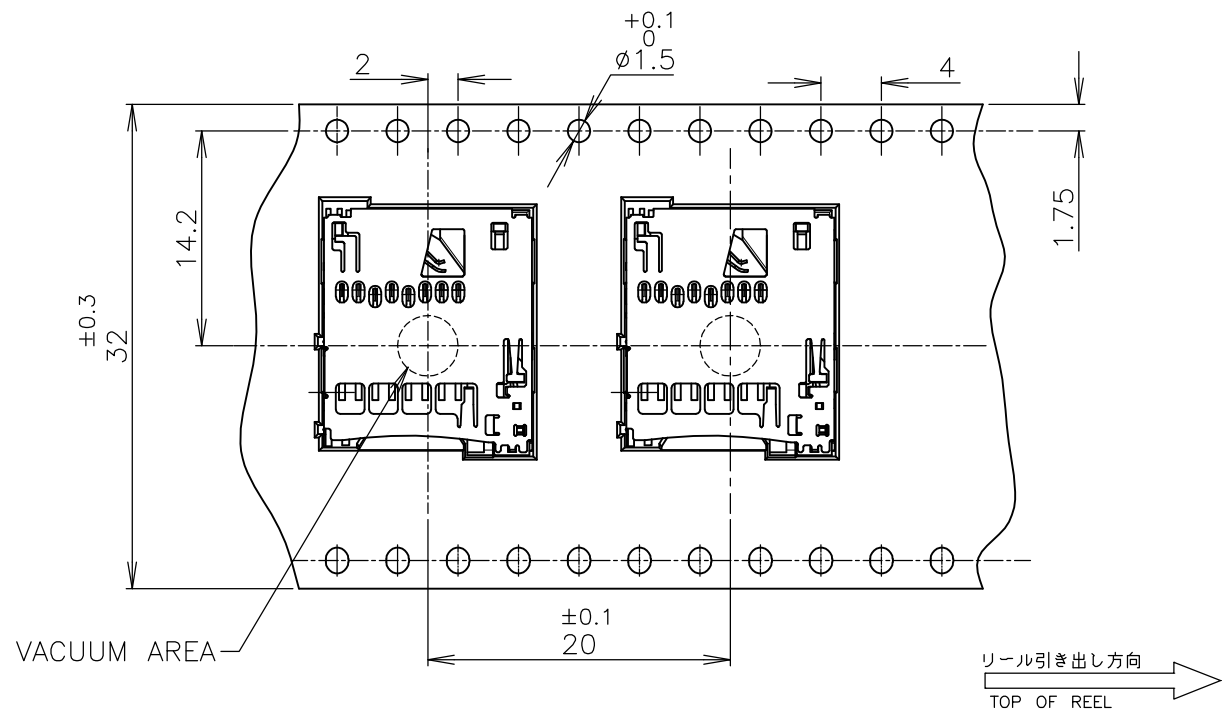
LOC	DIST	REVISIONS			
P	LTR	DESCRIPTION	DATE	DWN	APVD
J	/	SEE SHEET 1	-	-	-



THIS DRAWING IS A CONTROLLED DOCUMENT.		DWN	-	Tyco Electronics		Tyco Electronics AMP K.K.	
DIMENSIONS: MM		CHK	-	NAME		Kawasaki.Japan	
TOLERANCES UNLESS OTHERWISE SPECIFIED:		APVD	-	PRODUCT SPEC		MICRO SD WITH SWITCH PUSH-PUSH TYPE CI-1	
0 PLC ± -		APPLICATION SPEC		SIZE	CAGE CODE	DRAWING NO	RESTRICTED TO
1 PLC ± -		WEIGHT		A3	00779	G-1554304	-
2 PLC ± -		CUSTOMER DRAWING		SCALE		SHEET	REV
3 PLC ± -				2:1		2 OF 3	A
4 PLC ± -							
ANGLES ± -							
MATERIAL							
FINISH							

THIS DRAWING IS UNPUBLISHED. RELEASED FOR PUBLICATION APR , 2009.
 © COPYRIGHT 2009 BY TYCO ELECTRONICS CORPORATION. ALL RIGHTS RESERVED.

LOC	DIST	REVISIONS			
P	LTR	DESCRIPTION	DATE	DWN	APVD
		SEE SHEET 1	-	-	-



THIS DRAWING IS A CONTROLLED DOCUMENT.		DWN	Tyco Electronics AMP K.K. Kawasaki, Japan		
DIMENSIONS: MM		CHK	NAME		
TOLERANCES UNLESS OTHERWISE SPECIFIED:		APVD	MICRO SD WITH SWITCH PUSH-PUSH TYPE CI-1		
0 PLC ± -		PRODUCT SPEC	SIZE	CAGE CODE	DRAWING NO
1 PLC ± -		APPLICATION SPEC	A3	00779	C-1554304
2 PLC ± -		WEIGHT	RESTRICTED TO		
3 PLC ± -		CUSTOMER DRAWING			
4 PLC ± -		SCALE 2:1		SHEET 3 OF 3	REV A
ANGLES ± -					
FINISH ± -					