

4

3

2

1

THIS DRAWING IS UNPUBLISHED.

RELEASED FOR PUBLICATION

20

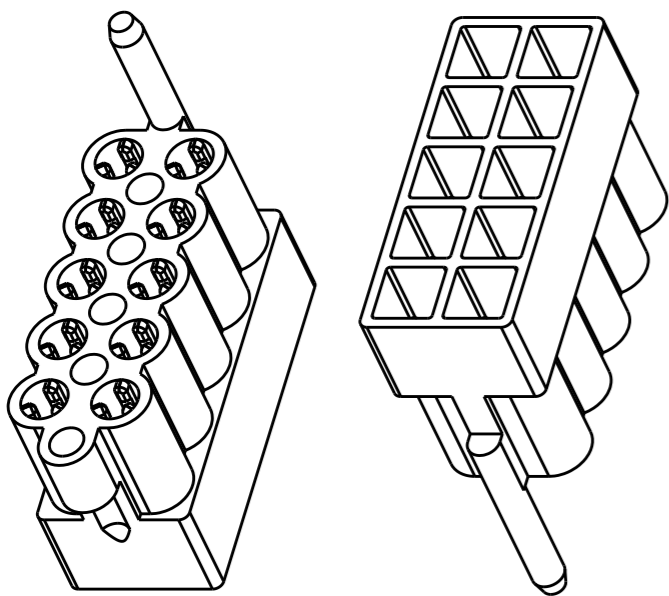
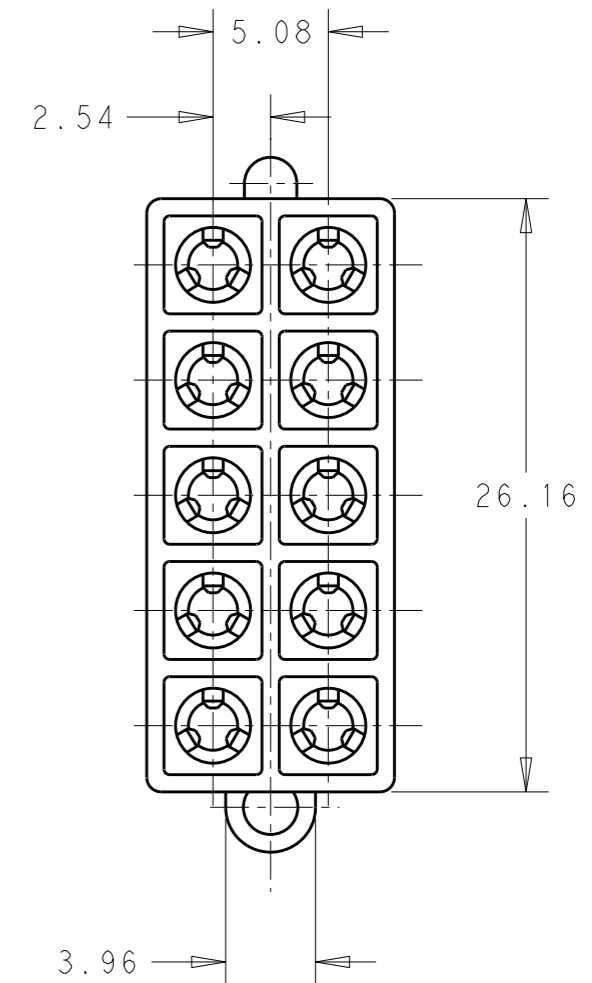
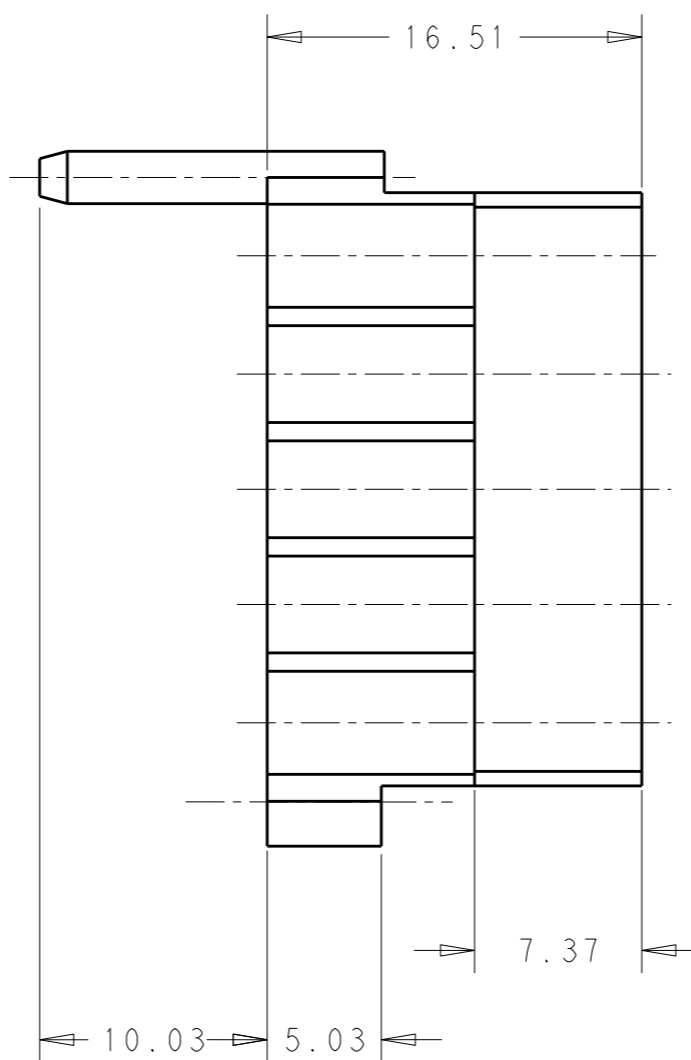
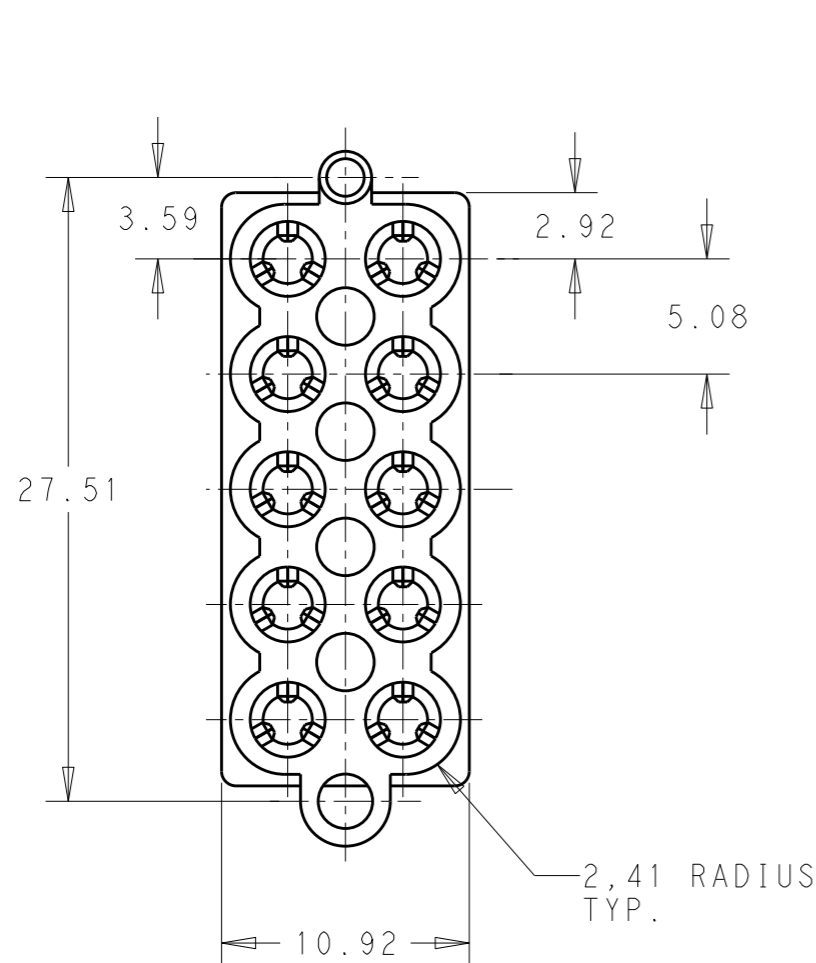
© COPYRIGHT 20 BY -

ALL RIGHTS RESERVED.

LOC AP DIST -

REVISIONS

P	LTR	DESCRIPTION	DATE	DWN	APVD
	B	REVISED BY ECO-11-014179	07FEB2012	HC	WLS



NATURAL	PA - 6.6	152306-5
FINISH	MATERIAL	PART NUMBER

THIS DRAWING IS A CONTROLLED DOCUMENT.	
DIMENSIONS: mm	TOLERANCES UNLESS OTHERWISE SPECIFIED:
	0 PLC ±-
	1 PLC ±0,4
	2 PLC ±0,4
	3 PLC ±-
	4 PLC ANGLES ±1°
MATERIAL -	FINISH -

DWN	11MAY2011
H.C. CANTERI	
CHK	11MAY2011
W.L. STEFANI	
APVD	-
PRODUCT SPEC	-
APPLICATION SPEC	-
WEIGHT	-
CUSTOMER DRAWING	

		TE Connectivity	
		10 WAY SOCKET HOUSING FOR P.C. BOARD	
SIZE	CAGE CODE	DRAWING NO	RESTRICTED TO
A3	00779	C-152306	-
SCALE 4/1		SHEET 1 OF 1	REV B