

4

3

2

1

THIS DRAWING IS UNPUBLISHED.

RELEASED FOR PUBLICATION

20

© COPYRIGHT 20 BY -

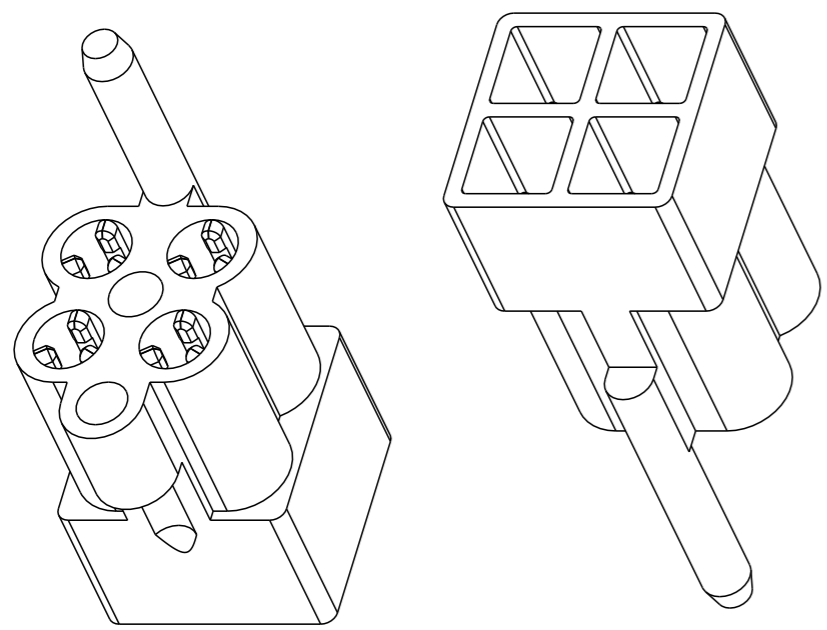
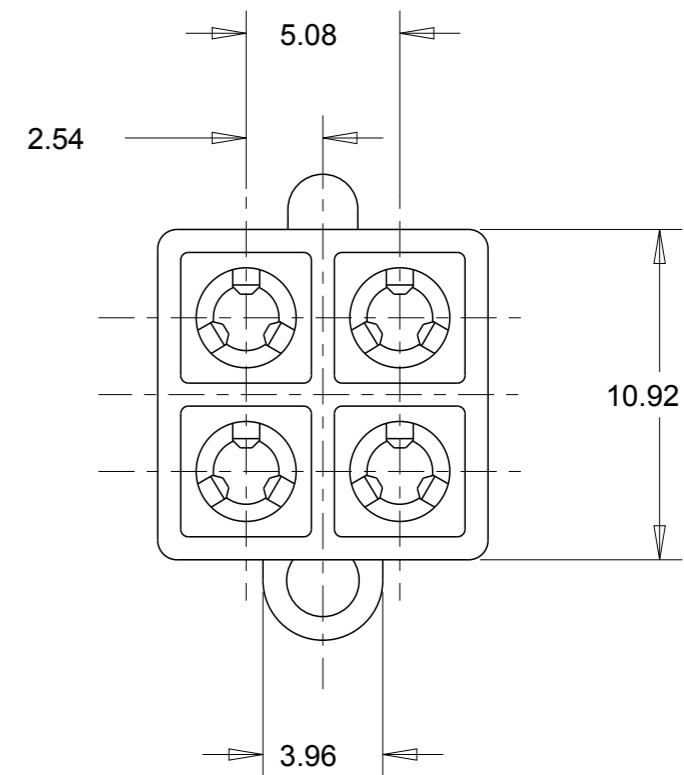
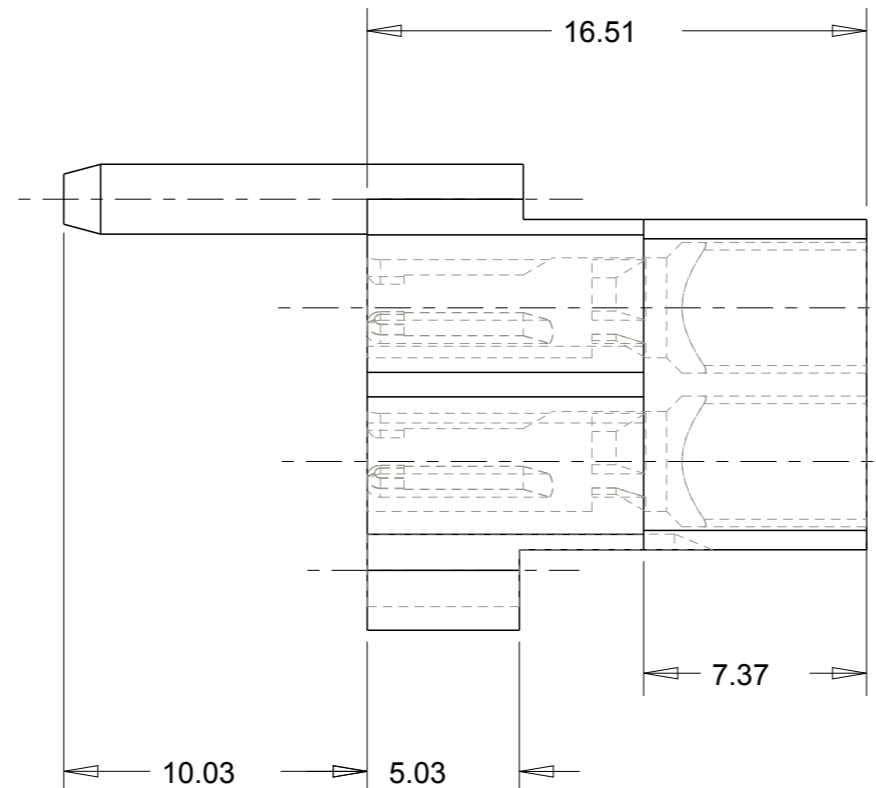
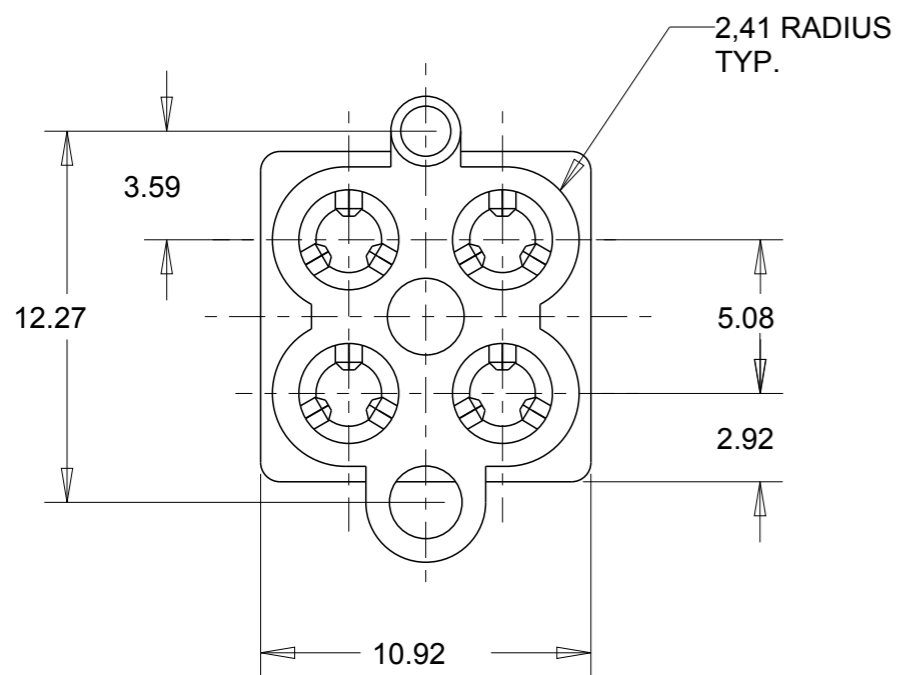
ALL RIGHTS RESERVED.

LOC  
AP

DIST  
-

REVISIONS

P	LTR	DESCRIPTION	DATE	DWN	APVD
	AA	REDRAW ECO-11-013745	05JUL2011	HC	WLS



NATURAL	PA - 6.6	152303-5
FINISH	MATERIAL	PART NUMBER

THIS DRAWING IS A CONTROLLED DOCUMENT.		DWN H.C.CANTERI 04JUL2011		
		CHK W.L.STEFANI 05JUL2011		
DIMENSIONS: mm	TOLERANCES UNLESS OTHERWISE SPECIFIED:	APVD -	NAME 4 WAY SOCKET HOUSING FOR P.C. BOARD	
	0 PLC ± -	PRODUCT SPEC -	APPLICATION SPEC -	
	1 PLC ± 0,4	APPLIC. SPEC -	SIZE A3	CAGE CODE 00779
	2 PLC ± 0,4	WEIGHT -	DRAWING NO C-152303	RESTRICTED TO -
	3 PLC ± -		SCALE 4/1	SHEET 1 OF 1
	4 PLC ± -			REV AA
	ANGLES ± 1°			
MATERIAL -	FINISH -			
CUSTOMER DRAWING				